



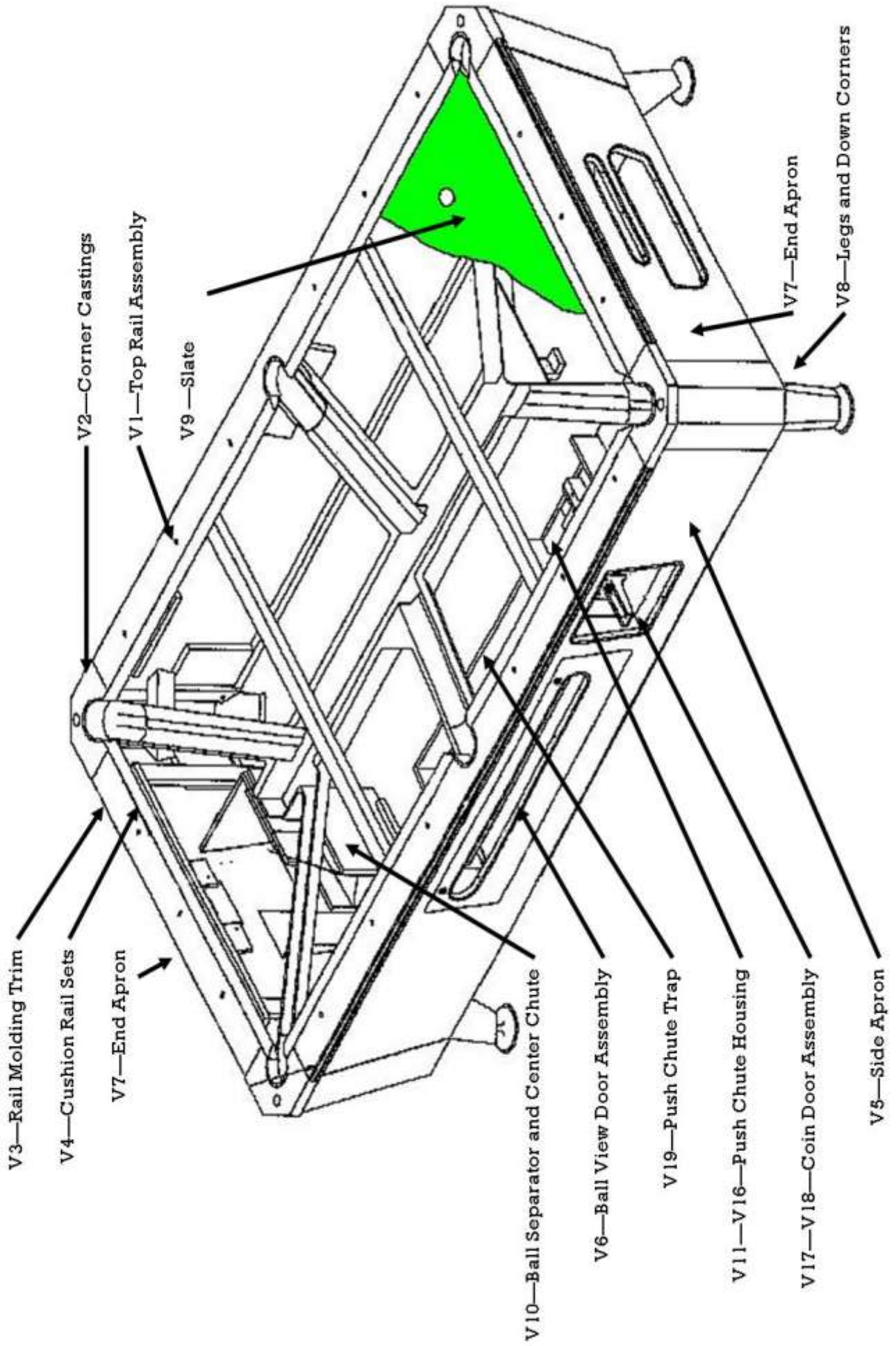
POOL CATALOG AND PARTS BREAKDOWN EFFECTIVE: 1-JAN-2021 SERVICE PARTS AND ACCESSORIES

**Order parts through authorized distributors or from
www.valleydynamoparts.com**

This table can help determine the model number, size, color and approximate age of the Valley table (this is only a model number list, parts are not available for all models—this breakdown and our parts stock focus mainly on tables built within the last 30 years, and colors are available for generally the last 20 years):

		size of table					finish
		101"	93"	88"	85"	78"	
Panther-style corner castings 2009 - present - remember, all Panthers are cats, but not all cats are Panthers							
ZD-11	2017-now	CPA-HM	CPB-HM	CPC-HM			Highland Maple (HM)
ZD-X	2009-2017	CPA-DR	CPB-DR	CPC-DR			Cheyenne Leather (DR - Limited Stock)
Corner casting and side rail design changed significantly after 2009							
Cougar	2006-2009	CPA-CH	CPB-CH	CPC-CH			Biltmore Cherry (CH)
ZD8	2002-2006	CPA-JM	CPB-JM	CPC-JM			Jewel Mahogany (JM)
ZD7	1997-2001	CPA-BS	CPB-BS	CPC-BS			Taj Teak (BS)
ZD6	1994-1996	CPA-SA	CPB-SA	CPC-SA	CPD-SA		Summit Ash (SA - Discontinued)
ZD5	1991-1993	CPA-SM	CPB-SM	CPC-SM	CPD-SM		Sable Maple (SM or SN - Discontinued)
ZD4	1986-1990	CPA-DZ	CPB-DZ	CPC-DZ	CPD-DZ		Classic Mahogany (DY - Discontinued)
Many parts for Valley models prior to the ZD-4 are discontinued, check the schematics and FAQ page							
1982-1985		42	32	22	14	12	Cheyenne Leather (DR - Limited Stock)
1979-1981		49	39	29		19	Birdseye Maple (DH - Discontinued)
1977-1978		47	37	27		17	Makoru (DE - Discontinued)
1975-1977		45	35	25		15	Pecan (Discontinued)
1973-1975		43	33	23		13	White/Walnut (Discontinued)
1969-1972		510019	510939	510889		510789	Walnut (Discontinued)
Tables built prior to 1969 differ significantly from current models, parts for these tables discontinued in 1986							
1967-1969		1017M	193815	188815		178815	Rosewood (Discontinued)
1966-1967		1017	1937	1877		1787	VARIOUS
1965-1966			1935	1875		1785	VARIOUS
1964-1965			935A	875A		785A	VARIOUS
Sizes of pre-1964 tables do not match current size categories							

POOL PARTS BREAKDOWN TABLE OF CONTENTS

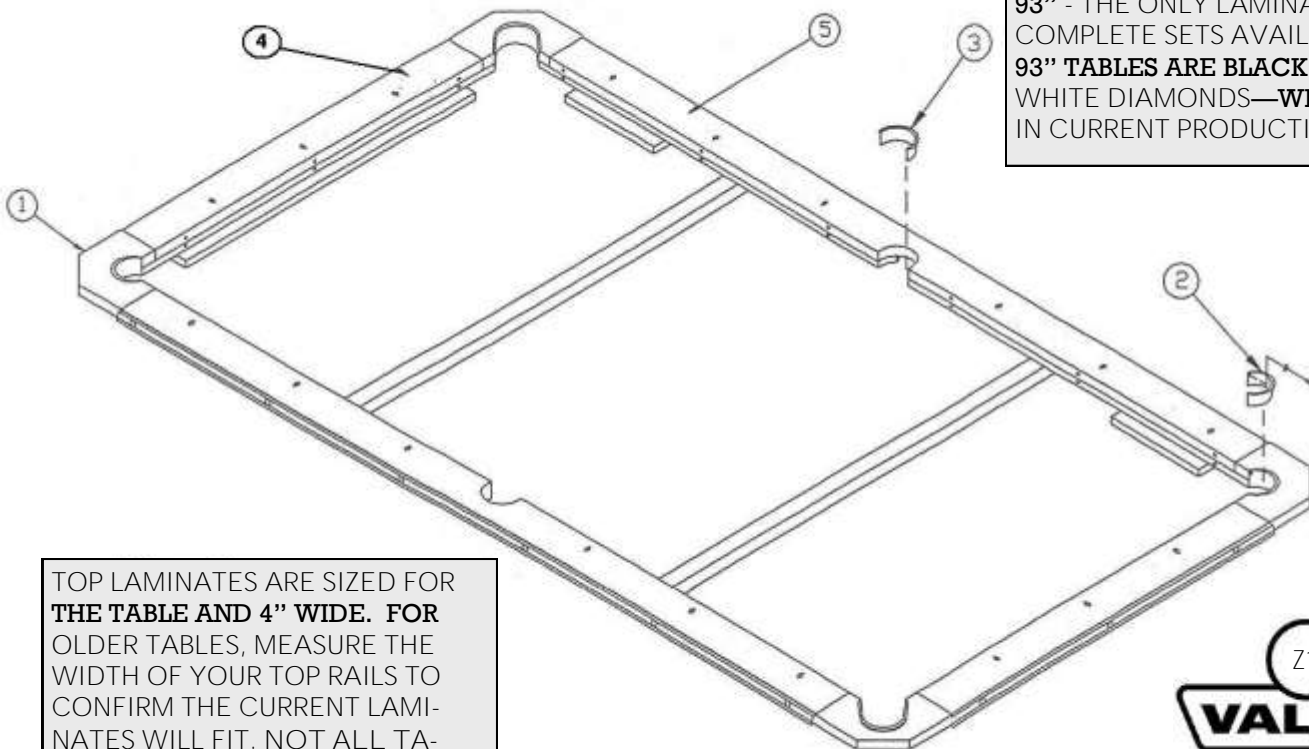


TOP RAIL ASSEMBLY

REF.	Part number	description
	ni870007405	CORNER CASTING BOLT $\frac{3}{8}$ -16 x $\frac{3}{4}$ "
	ni20400410	FENDER WASHER 25/64 X 1 $\frac{1}{2}$ "
2	20700021	CORNER POCKET LINER
	20700022	CORNER POCKET LINER - PUNCHED
3	20700011	CENTER POCKET LINER
2	20700042	PANTHER CORNER LINER
3	20700043	PANTHER CENTER LINER
STANDARD POCKET LINERS FOR ZD-5 to PANTHER ARE PUNCHED		
	ni20201091	POCKET LINER SCREW 10-32 x $\frac{1}{2}$ "
	ni20400780	POCKET LINER WASHER
FLUSH MOUNT POCKET LINERS ON CURRENT PANTHER TABLES ARE FASTENED WITH PUSH LOCKS		
	890200400	PUSH SCREW LOCK

REF	description	part number -88"	part number -93"	part number - 101"
4	TOP RAIL END LAMINATE - TAJ TEAK—WHILE SUPPLIES LAST	21305450	DISCONTINUED	21305390
4	TOP RAIL END LAMINATE - JEWEL MAHOGANY	21305650	DISCONTINUED	21305630
4	TOP RAIL END LAMINATE - VICTORIAN CHERRY	21305655	DISCONTINUED	DISCONTINUED
4	TOP RAIL END LAMINATE—GRAPHITE—WHILE SUPPLIES LAST	21306081	DISCONTINUED	21306061
4	TOP RAIL END LAMINATE - CHARCOAL CHROMATIC	21306080	21306040	DISCONTINUED
4	TOP RAIL END LAMINATE - BLACK W/WHITE DIAMONDS	21308160	21308140	21308120
CHARCOAL CHROMATIC REPLACES GRAPHITE - THEY ARE CLOSE, BUT FROM DIFFERENT SUPPLIERS AND NOT IDENTICAL				
5	TOP RAIL SIDE LAMINATE - TAJ TEAK—WHILE SUPPLIES LAST	21305440	DISCONTINUED	DISCONTINUED
5	TOP RAIL SIDE LAMINATE - JEWEL MAHOGANY	21305640	DISCONTINUED	21305620
5	TOP RAIL SIDE LAMINATE - VICTORIAN CHERRY	21305645	DISCONTINUED	DISCONTINUED
5	TOP RAIL SIDE LAMINATE - GRAPHITE and CHARCOAL CHR.M.	DISCONTINUED 2018		
5	TOP RAIL SIDE LAMINATE - BLACK W/WHITE DIAMONDS	21308150	21308130	21308110

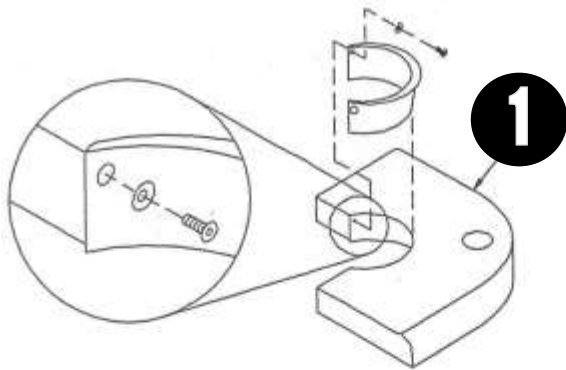
THE MOST COMMON TABLE SIZE IS 93" - THE ONLY LAMINATES WITH COMPLETE SETS AVAILABLE FOR 93" TABLES ARE BLACK WITH WHITE DIAMONDS—WHAT'S USED IN CURRENT PRODUCTION



TOP LAMINATES ARE SIZED FOR THE TABLE AND 4" WIDE. FOR OLDER TABLES, MEASURE THE WIDTH OF YOUR TOP RAILS TO CONFIRM THE CURRENT LAMINATES WILL FIT. NOT ALL TABLES HAVE 4" WIDE TOP RAILS



CORNER CASTING ASSEMBLIES



VALLEY CORNER CASTINGS HAVE HAD A CAT LOGO ON THEM FOR DECADES.

NOT ALL CATS ARE PANTHERS, ONLY TABLES WITH THE PANTHER CASTING SHOWN BELOW (#3) ARE PANTHERS

REF.	Part number	description	
1	DISCONTINUED	CORNER CASTING ASSEMBLY (ROUND)	DISCONTINUED 2011
	20700022	CORNER POCKET LINER - PUNCHED	
	ni20201091	POCKET LINER SCREW	
	ni20400780	POCKET LINER WASHER	
CORNER CASTINGS ON TABLES PRIOR TO 1992 HAVE POCKET LINERS ATTACHED WITH NAILS			
	20700021	CORNER POCKET LINER - UNPUNCHED	
	DISCONTINUED	POCKET LINER SPIRAL NAIL - #6 x 3/4"	LAST USED IN 1992



USED ON ZD-7, ZD-8 and CHERRY COUGAR
(BUT WILL FIT ON MANY OLDER TABLES)

Casting says "Valley" - nothing else
pocket liner overlaps casting
outer surface is straight



USED ON PANTHER, ZD-X and ZD11 series
(WILL NOT FIT ON ANY OLDER TABLES)

Casting says "Valley—Est.1945" or "Valley- Built in USA"
pocket liner is countersunk in casting
outer surface is scalloped

2	CPYOOTRA30301	CORNER CASTING ASSEMBLY (ANGLED)
	ni870007405	3/8-16 x 3/4" HEX HEAD CORNER CASTING BOLT
	20700022	CORNER POCKET LINER - PUNCHED
	ni20201091	POCKET LINER SCREW
	ni20400780	POCKET LINER WASHER 10-32 x 1/2"
3	CPYOOTRA40301	CORNER CASTING ASSEMBLY (PANTHER CHROME)
	PENDING	CORNER CASTING ASSEMBLY (TOP CAT SATIN BLACK)
	20700043	PANTHER-ONLY CORNER POCKET LINER
	890200400	PUSH SCREW LOCK



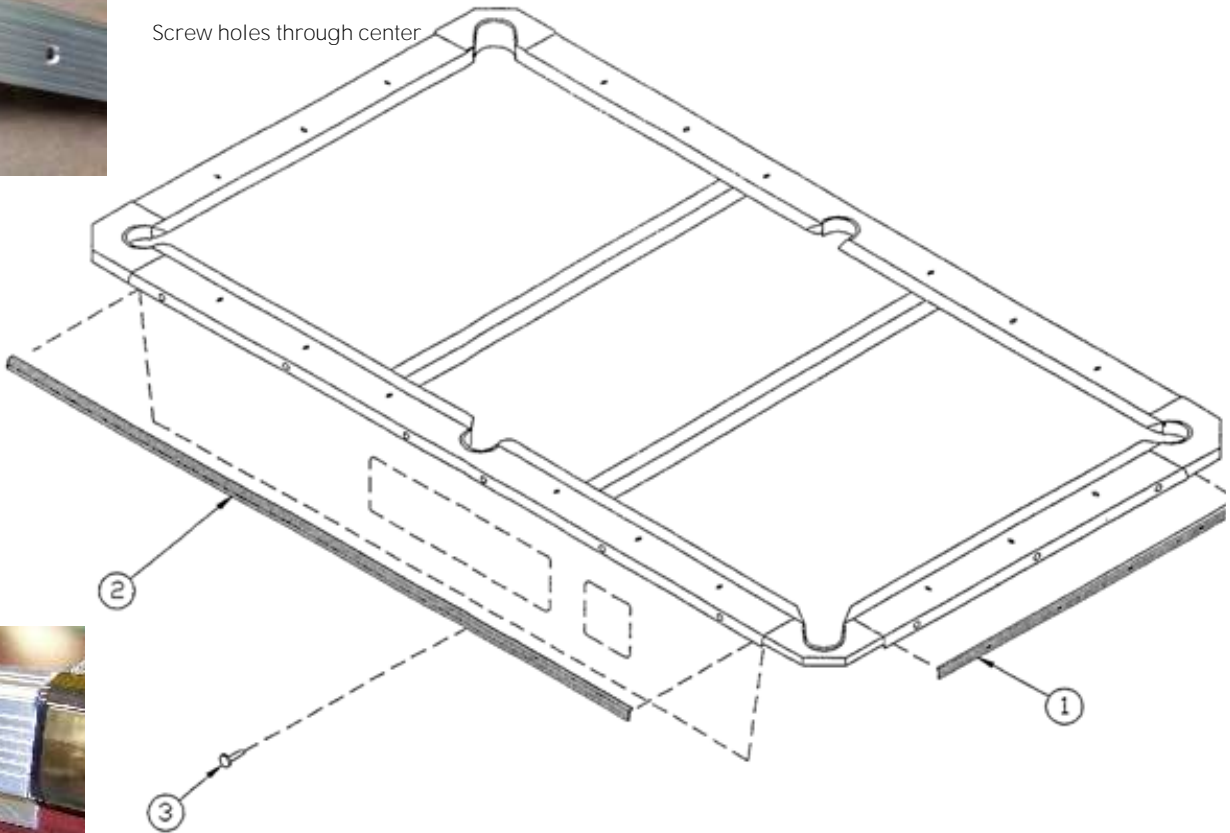
RAIL MOLDINGS

REF.	Part number	description
OLD-STYLE TRIM—CUT TO SIZE FOR USE ON SMALLER TABLES		
1	720201840	93 END RAIL MOLDING 33 11/16" LONG
2	720201835	93 SIDE RAIL MOLDING 73 11/16" LONG
1	720201845	101 END RAIL MOLDING 38 3/16" LONG
2	720201850	101 SIDE RAIL MOLDING 82 3/16" LONG
PANTHER STYLE TRIM—FOR PANTHER TABLES ONLY 2009-PRESENT		
1	720203188	88 PANTHER-ONLY END RAIL MOLDING 30 5/16" SILVER
1	720203193	93 PANTHER-ONLY END RAIL MOLDING 33 1/16" SILVER
2	720204013	93 PANTHER-ONLY END RAIL MOLDING 33 1/16" TOP CAT BLACK
1	720203101	101 PANTHER-ONLY END RAIL MOLDING 37 9/16" SILVER
2	720203088	88 PANTHER-ONLY SIDE RAIL MOLDING 67 9/16" SILVER
2	720203093	93 PANTHER-ONLY SIDE RAIL MOLDING 73 1/16" SILVER
2	720204012	93 PANTHER-ONLY SIDE RAIL MOLDING 73 1/16" TOP CAT BLACK
2	720203101	101 PANTHER-ONLY SIDE RAIL MOLDING 81 9/16" SILVER
3	ni20100020	RAIL MOLDING SCREW #6 x 5/8" (if this screw is too large, use #8 x 5/8")



USED ON OLDER TABLES
(Will not fit Panther)

Screw holes through center



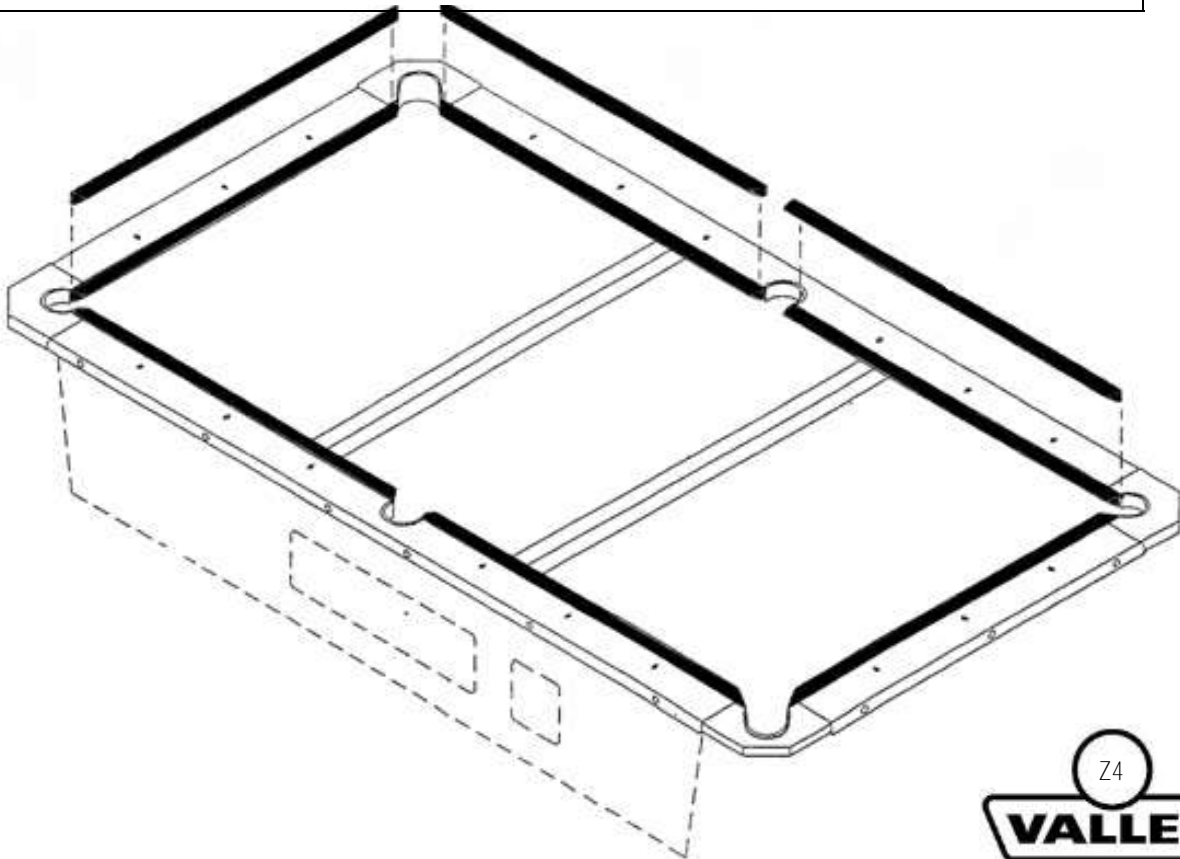
USED ON PANTHER, ZD-X and ZD11 series
(WILL NOT FIT ON ANY OLDER TABLES)

Screw holes on bottom tab



CUSHION RAILS

Part number	description
CPCZQCCR5	88 CUSHION RAIL SET—CHAMPIONSHIP GREEN
BBCZLCCR5	88 CUSHION RAIL SET—BURGUNDY
CPCOCCR5	88 CUSHION RAIL SET - UNCOVERED
88 RAIL MEASUREMENTS- END AND SIDE : 33½" (MEASURED AT WIDEST POINT)	
CPBZQCCR5	93 CUSHION RAIL SET—CHAMPIONSHIP GREEN
BBBZLCCR5	93 CUSHION RAIL SET—BURGUNDY
CPBOCCR5	93 CUSHION RAIL SET - UNCOVERED
93 RAIL MEASUREMENTS- END: 36¼", SIDE 36⅝" (MEASURED AT WIDEST POINT)	
CPAZQCCR5	101 CUSHION RAIL SET—CHAMPIONSHIP GREEN
BBAZLCCR5	101 CUSHION RAIL SET—BURGUNDY
CPAOCCR5	101 CUSHION RAIL SET - UNCOVERED
101 RAIL MEASUREMENTS- END: 40¾", SIDE 40⅝" (MEASURED AT WIDEST POINT)	
ni20200020	CUSHION RAIL BOLT ¼"-20 x 4½"
ni870054203	CUSHION RAIL THREADED INSERT ¼"-20 x 0.512— CURRENT CUSHIONS
ni20300090	T-NUT ¼"-20—OLDER CUSHIONS
<p>CUSHION RAILS ARE MADE WITH DUAL-DENSITY K-66 PROFILE RUBBER. WE ONLY SELL COMPLETE SETS OF CUSHION RAILS AND RECOMMEND REPLACING SETS COMPLETELY TO AVOID INCONSISTENT PLAY. OTHERWISE, IT IS LIKE "BUYING ONLY ONE NEW SHOE"</p> <p>CURRENT VALLEY CUSHIONS WILL FIT THREE AND FIVE-BOLT TABLES BACK TO THE EARLY-1970s. MINOR TABLE MODIFICATIONS MAY BE NEEDED FOR TABLES OVER 20 YEARS OLD.</p>	



SIDE APRON

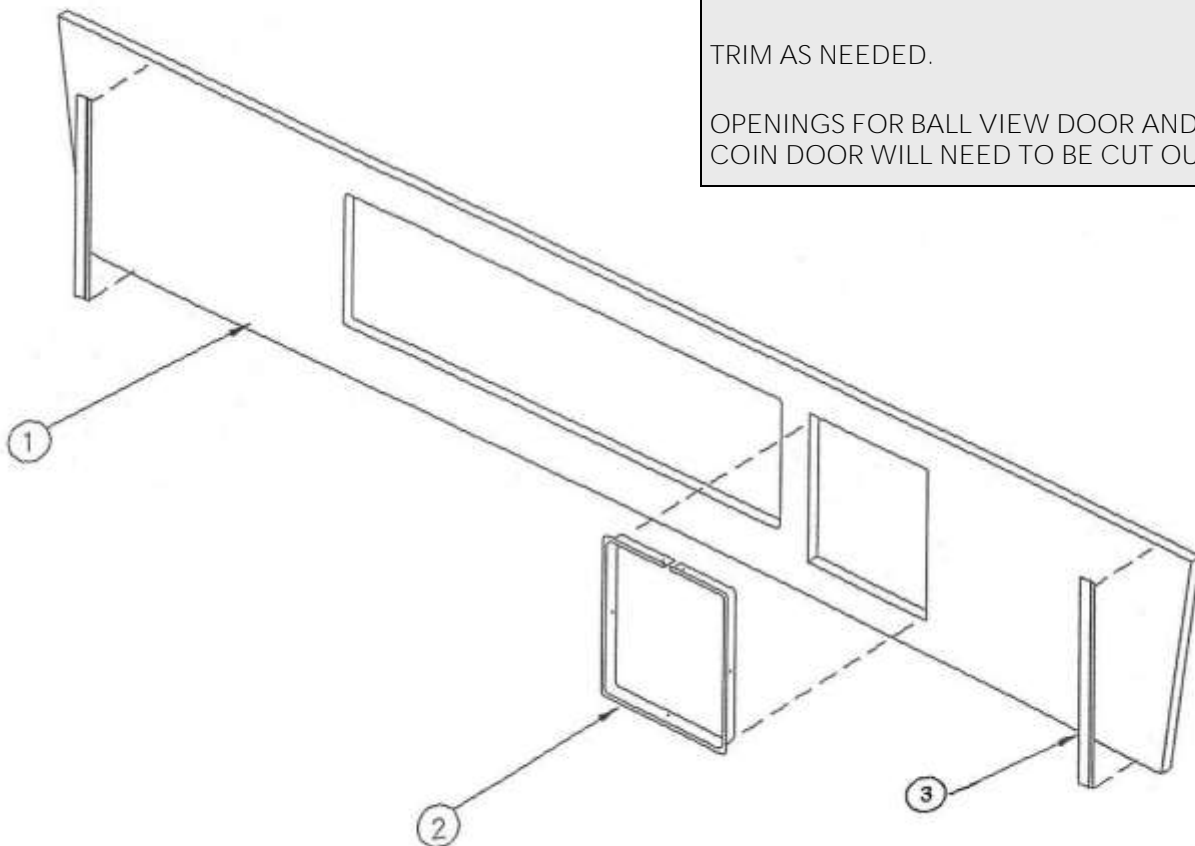
REF	description	part number (96 ³ / ₄ " x 16")
1	SIDE APRON LAMINATE - TAJ TEAK	21305360
1	SIDE APRON LAMINATE - JEWEL MAHOGANY	21307140
1	SIDE APRON LAMINATE - BILTMORE CHERRY	21307180
1	SIDE APRON LAMINATE - CHARCOAL CHROMATIC	21307220
1	SIDE APRON LAMINATE—CHEYENNE LEATHER	21303300
1	SIDE APRON LAMINATE - GRAPHITE	DISCONTINUED 2009
GRAPHITE REPLACED CHARCOAL CHROMATIC IN LATE 2006 CHARCOAL CHROMATIC REPLACED GRAPHITE IN OCTOBER 2009 WHILE SIMILAR, THEY ARE FROM DIFFERENT SUPPLIERS AND NOT IDENTICAL		

REF.	Part number	description	old part number
2	20604420	PUSH CHUTE HOUSING MOLDING - 39 3/16"	
2	20605540	PUSH CHUTE HOUSING MOLDING - 39 3/16" - BLACK	LIMITED QTY.
2	DISCONTINUED	PUSH CHUTE HOUSING MOLDING - 37 1/16"	20600290
	ni20400170	TRIM MOLDING NAIL - #14 x 7/8"	
	ni20400180	TRIM MOLDING SCREW NAIL - #2 x 3/4"	
3	DISCONTINUED	DOWN CORNER STRAP (NO LONGER USED)	20600250

LAMINATES ARE SENT AS COMPLETE SHEETS SIZED TO FIT 8-FOOT TABLES.

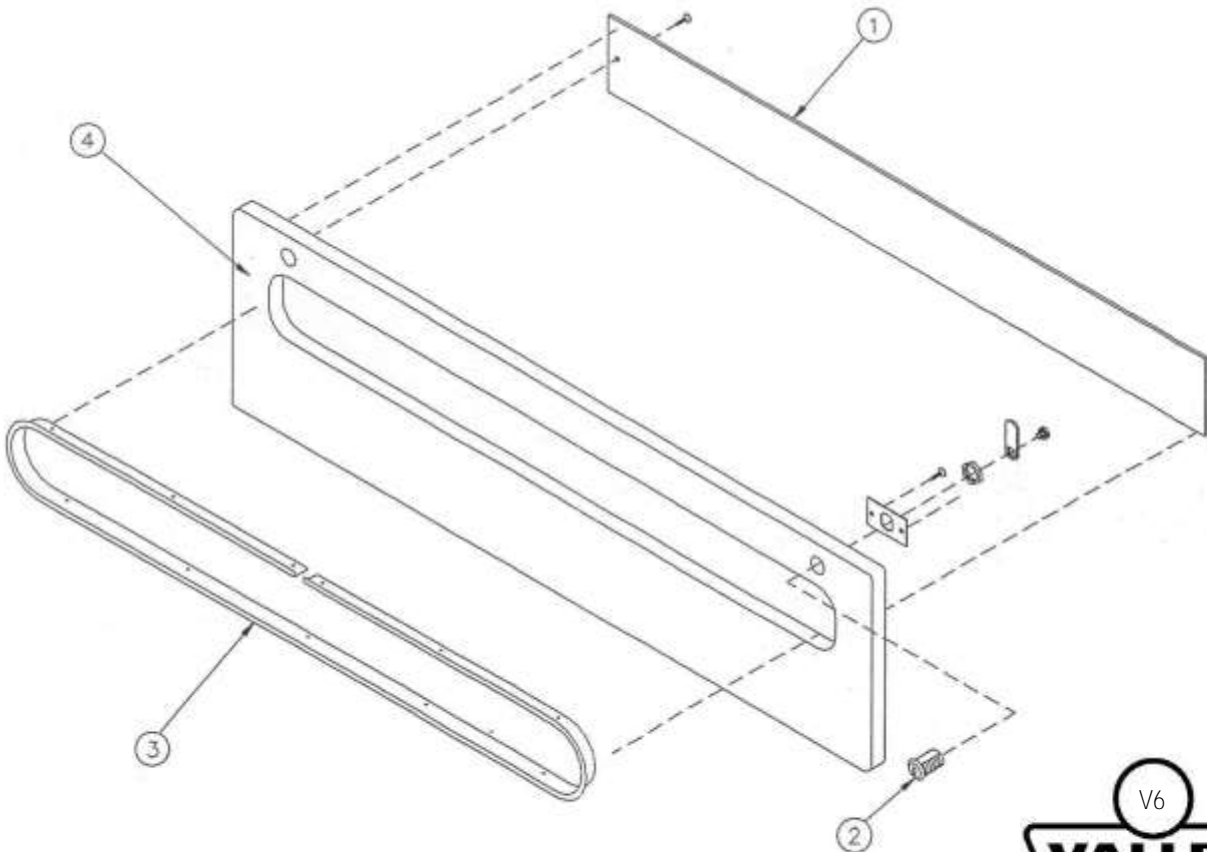
TRIM AS NEEDED.

OPENINGS FOR BALL VIEW DOOR AND COIN DOOR WILL NEED TO BE CUT OUT.



BALL VIEW DOOR ASSEMBLY

REF.	Part number	description
1	933000000	ACRYLIC FOR BALL VIEW DOOR - 3 $\frac{5}{8}$ " x 32 $\frac{1}{2}$ "
1	DISCONTINUED	ACRYLIC FOR BALL VIEW DOOR - 4 11/16" x 32 $\frac{1}{2}$ "
3	20604430	BALL VIEW DOOR MOLDING - 65 $\frac{7}{8}$ "
	ni20400170	TRIM MOLDING NAIL - #14 X $\frac{7}{8}$ "
	ni20400180	TRIM MOLDING SCREW NAIL - #2 X $\frac{3}{4}$ "
<p>STARTING OCT 1986 THE WINDOW SIZE WAS REDUCED SO THE BALLS COULD NOT BE REMOVED THROUGH THE OPENING. DOOR SIZE IS UNCHANGED. CURRENT DOORS FIT OLDER TABLES, BUT THE OLD LARGER WINDOWS AND TRIM ARE NO LONGER AVAILABLE</p>		
2	21200560	LOCK AND KEY 1 $\frac{1}{8}$ " - #54
	800000105	LOCK BACK PLATE
	ni20110010	BACK PLATE SCREW - #8 x $\frac{1}{2}$ " PHILLIPS
<p>ALL BALL VIEW DOORS ARE THE SAME SIZE, REGARDLESS OF THE TABLE SIZE</p>		
4	CPYHMBVD20101	BALL VIEW DOOR - HIGHLAND MAPLE ZD-11 (NO LOCK)
4	CPYDRBVD20101	BALL VIEW DOOR - CHEYENNE LEATHER PANTHER (NO LOCK)
4	CPYBSBVD20101	BALL VIEW DOOR - TAJ TEAK ZD-7 (NO LOCK)
4	CPYJMBVD20101	BALL VIEW DOOR - JEWEL MAHOGANY ZD-8 / GREAT 8(NO LOCK)
4	CTYAJBVD20101	BALL VIEW DOOR - CH. CHROMATIC BLACK CAT (NO LOCK)
4	CTYCHBVD20101	BALL VIEW DOOR - BILTMORE CHERRY (NO LOCK)
4	SPECIAL REQUEST	BALL VIEW DOOR - GRAPHITE BLACK CAT (NO LOCK)
<p>COLORS FOR THE LAST 20 YEARS OF PRODUCTION ARE AVAILABLE. BALL VIEW DOORS COME WITH ACRYLIC AND MOLDING ORDER LOCKS & LOCK BACK PLATES SEPARATELY.</p>		

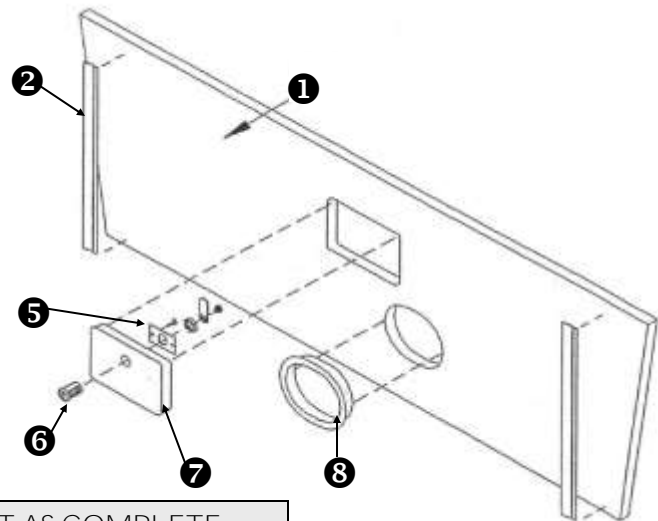
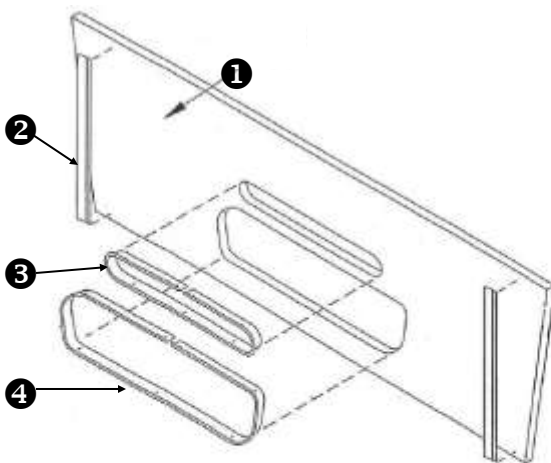


END APRON

REF	description	part number (54 $\frac{1}{8}$ " x 16")
1	END APRON LAMINATE - TAJ TEAK	21305370
1	END APRON LAMINATE - JEWEL MAHOGANY	21307150
1	END APRON LAMINATE - BILTMORE CHERRY	21307185
1	END APRON LAMINATE - CHEYENNE LEATHER	21303350
1	END APRON LAMINATE - CHARCOAL	21307225
1	END APRON LAMINATE - GRAPHITE	21307215

CHARCOAL CHROMATIC REPLACES SIMILAR GRAPHITE FOR BLACK CAT TABLE

REF.	Part number	description
2	DISCONTINUED	DOWN CORNER STRAP (not used since 1982)
3	20604220	TRIANGLE MOLDING - 30 9/16"
4	20604230	BALL RETURN BOX MOLDING - 46 $\frac{1}{8}$ "
	ni20400170	TRIM MOLDING NAIL - #14 x $\frac{7}{8}$ "
	ni20400180	TRIM MOLDING SCREW NAIL - #2 x $\frac{3}{4}$ "
5	800000105	LOCK BACK PLATE
5	ni20110010	BACK PLATE SCREW - #8 x $\frac{1}{2}$ " PHILLIPS
6	21200560	LOCK AND KEY 1 $\frac{1}{8}$ " - #54
STANDARD CLEAN OUT DOORS SAME SIZE - LOCK AND BACK PLATE AVAILABLE SEPARATELY OVERSIZED CLEAN OUT DOORS USED ON DBA TABLES FOR BATTERY ACCESS		
7	CPYBSCOD10101	CLEAN OUT DOOR - TAJ TEAK
7	CPYJMCOD10101	CLEAN OUT DOOR - JEWEL MAHOGANY
7	CPYCHCOD10101	CLEAN OUT DOOR - BILTMORE CHERRY
7	CPYDRCOD10101	CLEAN OUT DOOR—CHEYENNE LEATHER
7	CPYDRCOD99999	CLEAN OUT DOOR—CHEYENNE LEATHER OVERSIZED
7	CPYHMCOD10101	CLEAN OUT DOOR—HIGHLAND MAPLE OVERSIZED
7	CPYAJCOD10101	CLEAN OUT DOOR—CHARCOAL CHROMATIC
7	CPYRGCOD10101	CLEAN OUT DOOR - GRAPHITE
8	20700321	CUE BALL RING - BLACK



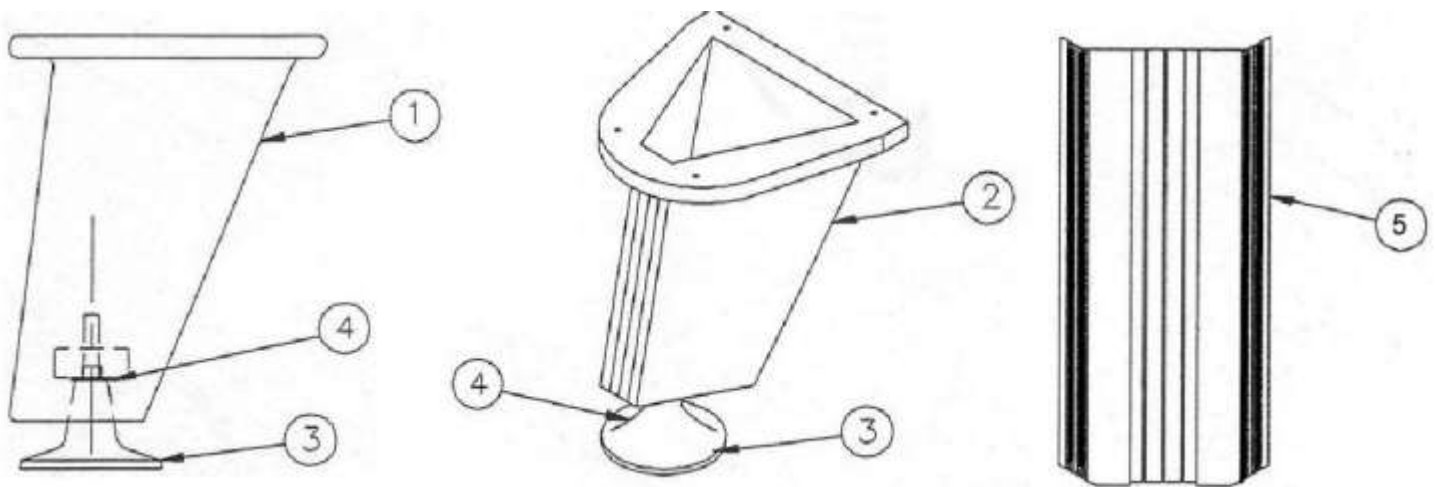
LAMINATES ARE SENT AS COMPLETE SHEETS SIZED TO FIT 8-FOOT TABLES. TRIM AS NEEDED.

OPENINGS WILL NEED TO BE CUT OUT.



LEG ASSEMBLIES AND DOWN CORNERS

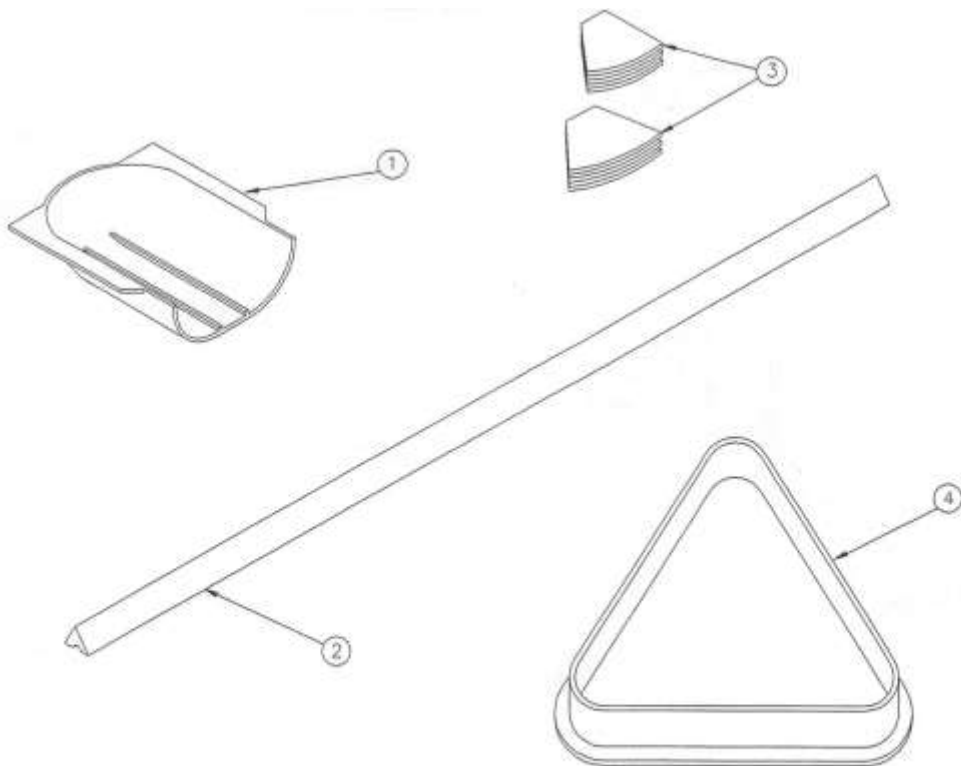
REF.	Part number	description	old part number
1	DISCONTINUED	ROUNDED BLACK FIBERGLASS LEG W/PLATE	20506790
2	20515771	SQUARED BLACK ABS LEG W/PLATE	20515770
	ni20200030	LEG BOLT 5/16-18 x 1½"	
	ni20300110	LEG T-NUT 5/16-18	
	ni20300820	LEG T-NUT W/BASE 5/16-18	
	ni20102290	LEG T-NUT W/BASE SCREW #6 x 3/4"	
3	20607560	LEG LEVELER	
4	20600961	LEG ADJUSTMENT PLATE	20600960
	ni870001208	LEG ADJUSTMENT PLATE SCREW #8 x 1¼"	20100100
DOWN CORNERS FOR ALL TABLES PRIOR TO 2009 ARE NO LONGER AVAILABLE			
5	DISCONTINUED	ALUMINUM DOWN CORNER (NO LAMINATE)	20607540
5	DISCONTINUED	DOWN CORNER ASSY - ZD7 TAJ TEAK	20607820
	21305730	DOWN CORNER LAMINATE - TAJ TEAK	
5	DISCONTINUED	DOWN CORNER ASSY - ZD8 JEWEL MAHOGANY	20607821
	99300J405	DOWN CORNER LAMINATE - JEWEL MAHOGANY	
5	DISCONTINUED	DOWN CORNER ASSY - ZD7 BLACK	20607940
5	DISCONTINUED	DOWN CORNER ASSY - VICTORIAN CHERRY	20607822
	99300B405	DOWN CORNER LAMINATE—VICTORIAN CHERRY	
5	DISCONTINUED	DOWN CORNER ASSY - ZD8 GRAPHITE	20607823
	993000405-63	DOWN CORNER LAMINATE - GRAPHITE	
THESE DOWN CORNERS FIT PANTHER-STYLE TABLES ONLY			
	720203050	DOWN CORNER—PANTHER ALUMINUM	
	720204000	DOWN CORNER—TOP CAT BLACK (UPPER)	
	720204010	DOWN CORNER—TOP CAT BLACK (LOWER)	



SLATES AND MISCELLANEOUS

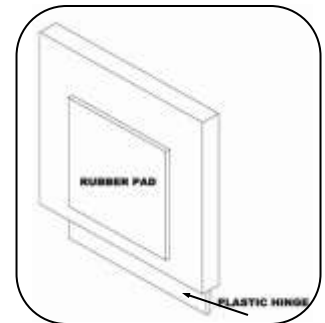
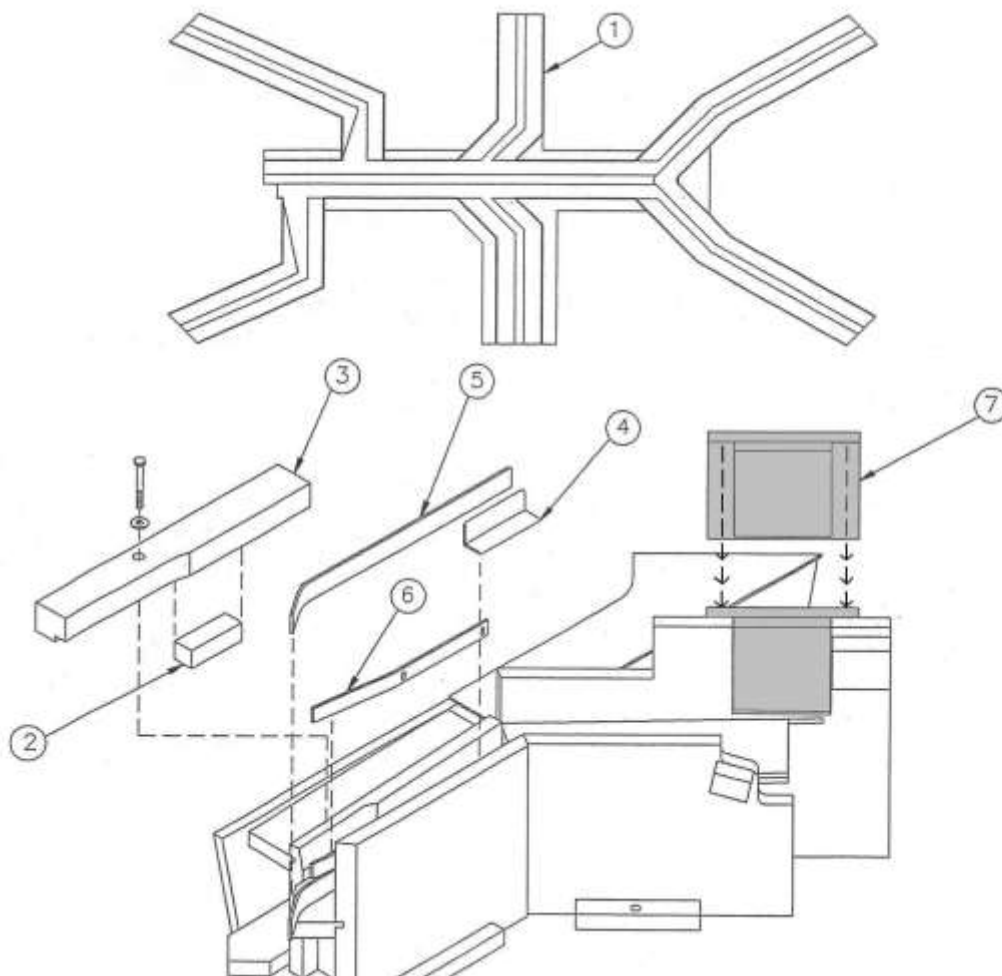
part number	description
SLAZP	101 SLATE - 47½" x 91½"
SLBZP	93 SLATE - 43" x 83"
SLCZP	88 SLATE - 40¼" x 77½"
<p>PRICE DOES NOT INCLUDE \$75.00 CRATING CHARGE OR FREIGHT SLATES MUST GO ON A TRUCK AND CANNOT SHIP VIA UPS/FED EX SLATES MUST BE DELIVERED TO A LOADING DOCK OR GO ON A LIFT TRUCK WE ARE NOT RESPONSIBLE FOR SLATES DAMAGED FROM IMPROPER UNLOADING</p> <p>SLATE DIMENSIONS HAVE NOT CHANGED FOR ROUGHLY 50 YEARS BEFORE BUYING A NEW SLATE, CAN YOU USE THE SLATE FROM AN OLD TABLE?</p>	

2	DISCONTINUED	K-55 PROFILE CUSHION RUBBER	897501036
2	DISCONTINUED	K-55 PROFILE CUSHION RUBBER	897501043
2	DISCONTINUED	K-66 PROFILE CUSHION RUBBER 36"	897601036
2	DISCONTINUED	K-66 PROFILE CUSHION RUBBER 42"	897601042
3	860201750	CUSHION FACING SET (12 PIECES)	VARIOUS
4	20500190	TRIANGLE	

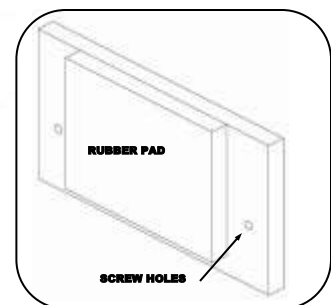


CENTER CHUTES AND BALL SEPARATOR

REF.	Part number	description	old part number
1	20500081	CENTER CHUTE	
IF YOU THINK YOUR TABLE REQUIRES A CENTER CHUTE, PLEASE CONTACT TECHNICAL SUPPORT. THESE ARE RARELY REPLACED AND THERE MAY BE OTHER TECHNICAL ISSUES WITH YOUR TABLE.			
WE STOCK ONE SIZE OF CENTER CHUTE, IT SHOULD BE TRIMMED TO FIT SMALLER TABLES			
2	21700011	CERAMIC MAGNET	
3	9680C1430	MAGNET HOLDER (WOOD), #32 TO CURRENT	860200050
3	DISCONTINUED	MAGNET HOLDER, MODEL #39 AND BEFORE	00100291
	ni20200060	MAGNET HOLDER BOLT 1/4-20 x 2 1/2"	
	ni20300090	T-NUT 1/4"-20	
	ni20400090	MAGNET HOLDER WASHER	
4	20600090	BALL SEPARATOR - SHORT RAIL	P20600090
5	20600101	BALL SEPARATOR - LONG RAIL	P20600101
6	20600110	BALL SHUNT	P20600110
7A	CPYOOBKA00209	CLEAN OUT DOOR INSERT (HINGE STYLE)	
7B	CPYOOBKA00201	CLEAN OUT DOOR INSERT (WING NUT STYLE)	PCPYOOBKA00201
7B	20100390	CLEAN OUT DOOR INSERT SCREW 8-32 X 1 1/4"	
7B	20300030	WING NUT 8-32	
MAGNETS RARELY "GO BAD". CONTACT TECHNICAL SUPPORT IF YOU HAVE A PROBLEM. A SIMPLE ADJUSTMENT, OUR NEW MAGNET HOLDER, OR A DIFFERENT CUE BALL BE THE ANSWER.			



7A—CPYOOBKA00209
Attaches using plastic hinge

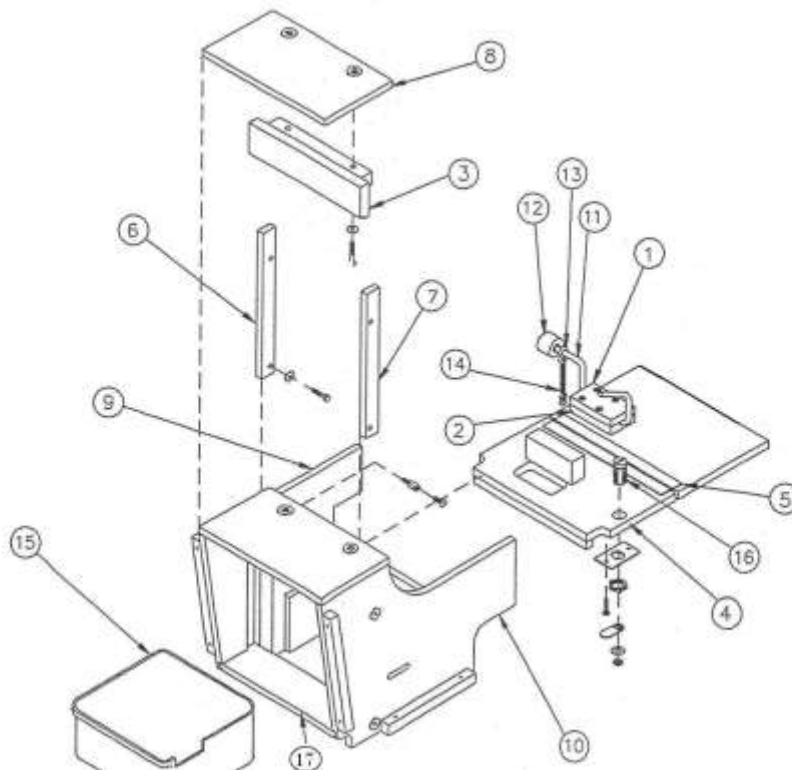


7B—CPYOOBKA00201
Attaches using wing nuts



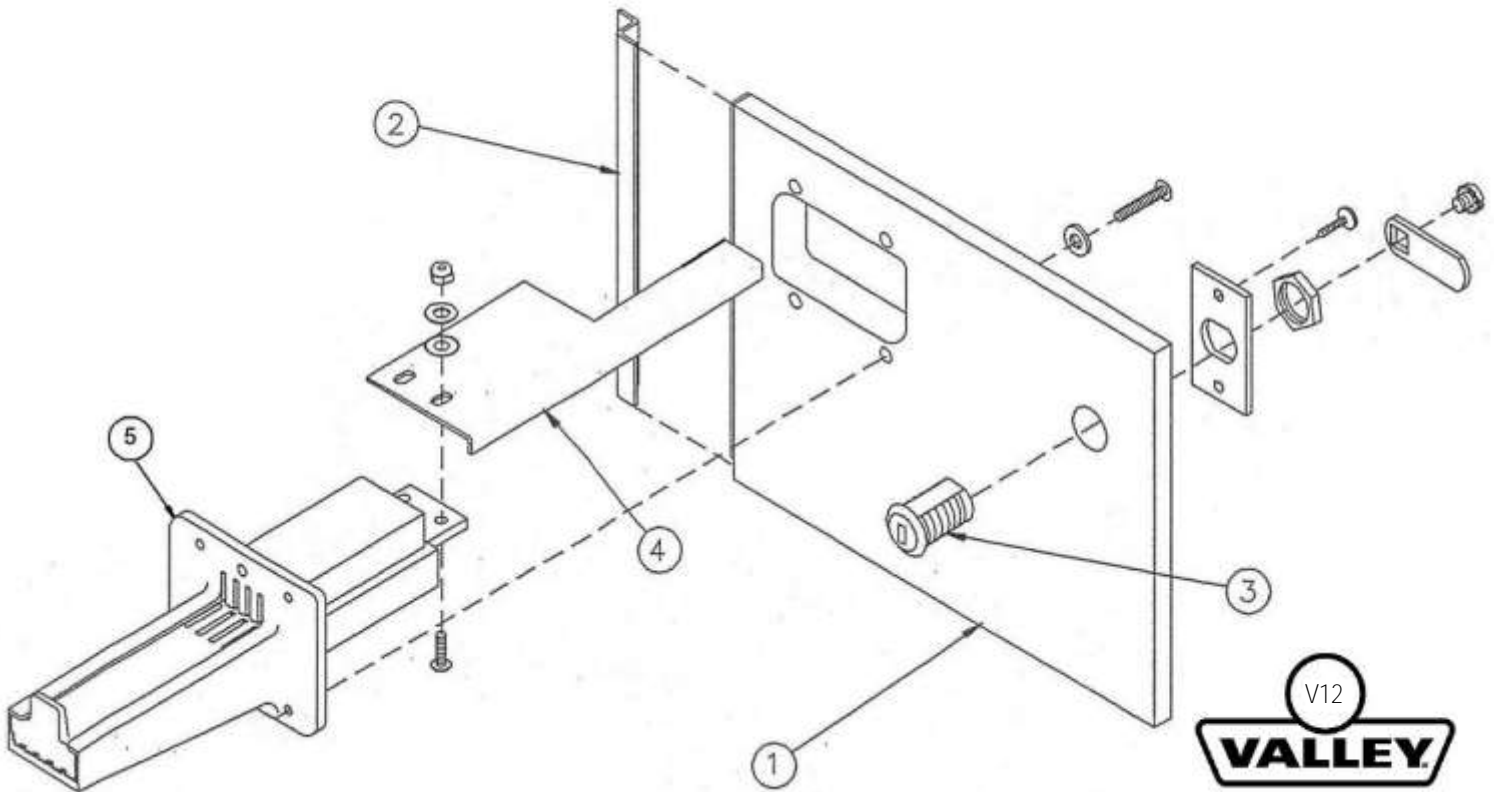
CURRENT-PRODUCTION PUSH CHUTE HOUSING
USED SINCE MODEL CPBSM SERIAL NUMBER S28124 (1993 to present)

REF.	Part number	description	old part number
V11	CPYECPCA7	COMPLETE PUSH CHUTE HOUSING ASSEMBLY	
1	9680C0306	PUSH CHUTE HINGE BLOCK 'A'	01000671
2	9680C0305	PUSH CHUTE HINGE BLOCK 'B'	01000661
3	CPYECPC40101	PUSH CHUTE DOOR HEADER (10 3/16 x 2 3/4)	PCPYECPC40101
	ni20200140	DOOR HEADER BOLT 1/4-20 x 1 1/2"	
	ni20400090	WASHER	
4	CPYOOCBF50101	CASH BOX COVER FRONT - ZD7 AND AFTER	CPYOOCBF40101
5	DISCONTINUED	CASH BOX HINGE	20503450
6	9680C1155	PUSH CHUTE LEFT SIDE DOOR RAIL	00400220
7	9680C1145	PUSH CHUTE RIGHT SIDE DOOR RAIL	00400211
	ni20500450	DOOR RAIL BOLT 1/4-20 x 1 1/4"	
	ni20400120	WASHER	
8	CPYOOPCH30201	TOP BRACE ON PUSH CHUTE HINGE ASSY	CPYOOPCH30201
9	CPYECPCA60201	PUSH CHUTE HOUSING, LEFT SIDE	CPYECPCA40201
	ni20604680	3/8" STAND OFF	
	ni20201101	STAND OFF SCREW, 8-23 x 1/4"	
10	CPYECPCA40101	PUSH CHUTE HOUSING, RIGHT SIDE	CPYECPCA40101
11	803001005	HINGE BAR ASSEMBLY	803001000, 20600033
12	NOT REPLACED	NYLON WHEEL	20500091
ON CURRENT HINGE BARS THIS WHEEL IS CRIMPED ON AND NOT DESIGNED TO BE REPLACED.			
13	21700470	8-HOOK FOR HINGE BAR	
	21700160	RETAINING CLIP 5/16"	
14	21700120	HINGE BAR SPRING .033 WIRE	
	21707940	S-HOOK, HINGE BAR SPRING/PUSH CHUTE SIDE	
15	20500014	PLASTIC CASH BOX	
COIN SECURITY LOCKS ARE KEYED DIFFERENTLY. IF YOUR KEY IS LOST, REPLACE THE LOCK. YOU CANNOT ORDER A REPLACEMENT KEY			
16	21200400	LOCK—RANDOMLY KEYED - 7/8" BARREL	
	800000105	LOCK BACK PLATE	20600081
	ni20110010	BACK PLATE SCREW #8 X 1/2"	
17	CPYECPCA30301	DOOR SILL	



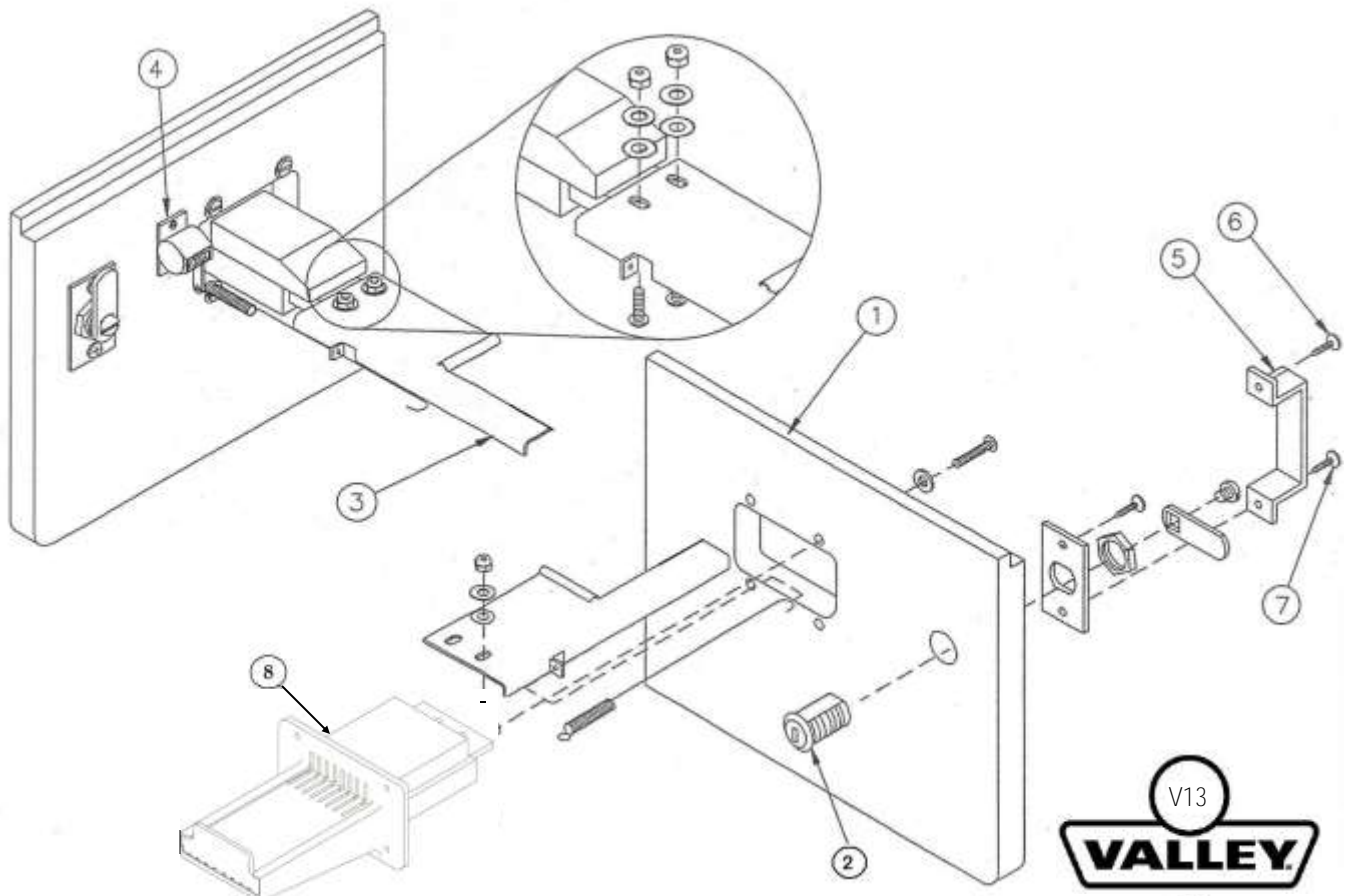
PUSH CHUTE DOOR ASSEMBLY MODEL #32, #39, #37 AND BEFORE

REF.	Part number	description	old part number
1	CPYECCDD10202	PUSH CHUTE DOOR - 9 $\frac{3}{4}$ " x 7"	
1	DISCONTINUED	PUSH CHUTE DOOR - 8 $\frac{7}{8}$ " x 7"	CPYECCDB00202
	ni870011231	PUSH CHUTE DOOR BOLT 10-32 x 1"	20200070
	ni870055110	#10-32 NYLON LOCK WASHER	20400060
2	DISCONTINUED	Z-BRACKET - MODEL # 32 AND PRIOR	20600060
3	21200390	LOCK—RANDOMLY KEYPED - 1 $\frac{1}{8}$ " BARREL	21200030
COIN DOOR LOCKS ARE KEYPED RANDOMLY IF YOUR KEY IS LOST, REPLACE THE LOCK REPLACEMENT KEYS ARE NOT AVAILABLE			
	800000105	LOCK BACK PLATE	20600081
	ni20110010	BACK PLATE SCREW #8 X $\frac{1}{2}$ "	
4	DISCONTINUED	PUSH CHUTE END - 5" (MODEL #37 AND BEFORE)	
4	DISCONTINUED	PUSH CHUTE END—5" (DOOR-MOUNTED COUNTER)	20600045
4	DISCONTINUED	PUSH CHUTE END - 6 $\frac{1}{2}$ " (MODEL #39 AND AFTER)	
4	20600046	PUSH CHUTE END - 6 $\frac{1}{2}$ " (DOOR MOUNTED COUNTER)	20600044
	ni20200110	PUSH CHUTE END BOLT 8-32 x $\frac{5}{8}$ "	
	ni20300150	PUSH CHUTE END NUT 8-32	
	ni870055110	#10-32 NYLON LOCK WASHER	20400060
	ni20400100	#8 WASHER	
5	890000630	ESD V-8 COIN CHUTE (FACTORY SET AT 4x \$0.25)	
5	890000620	ESD V-5 COIN CHUTE (FACTORY SET AT 3x \$0.25)	
	890000125	ESD BLANK INSERT	
	890000145	ESD QUARTER INSERT	
	CPYOORTF	DOOR-MOUNT COUNTER RETROFIT KIT	



CURRENT PRODUCTION PUSH CHUTE DOOR ASSEMBLY USED FROM MODEL CP-B-DZ (1986) TO CURRENT

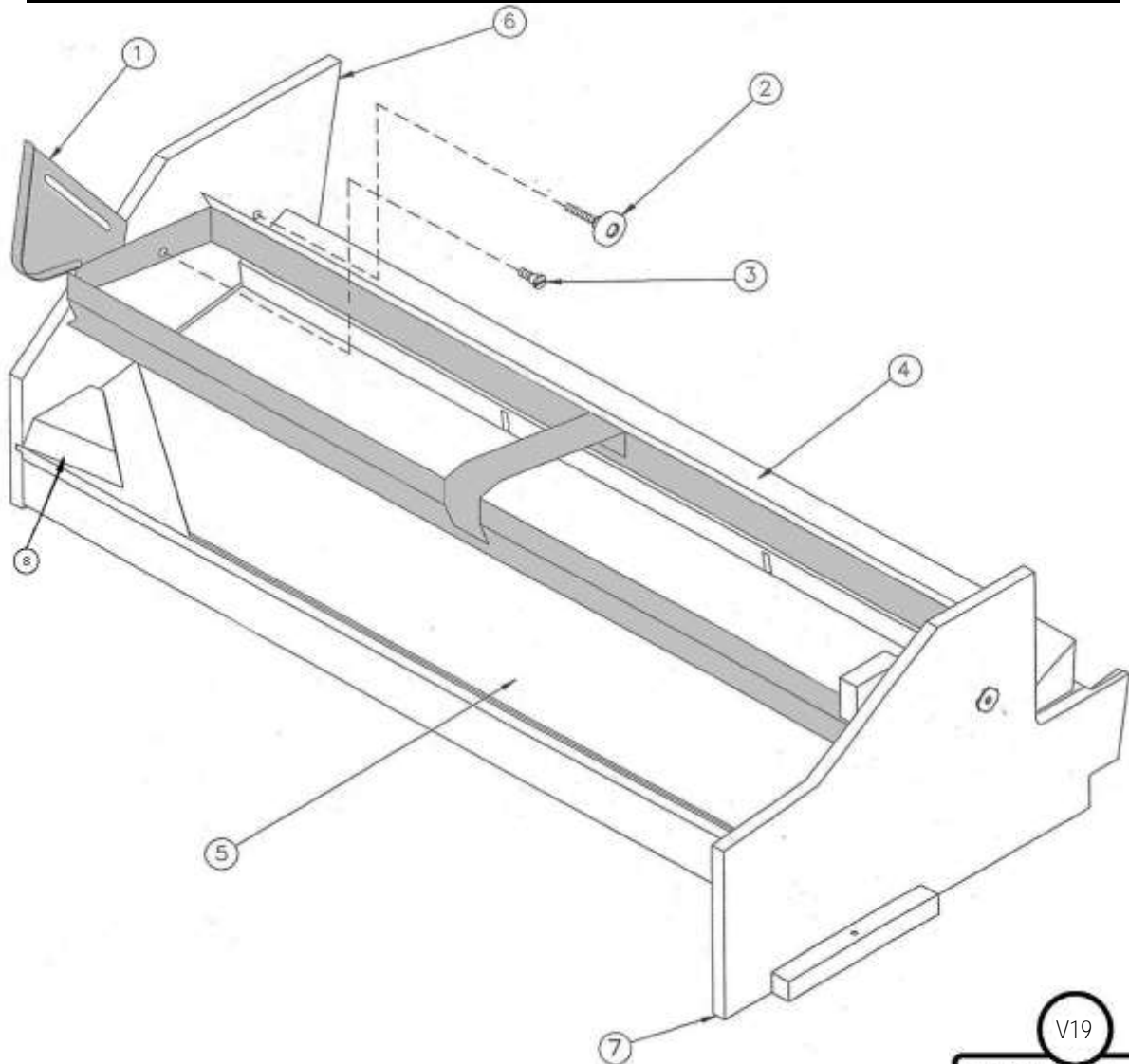
REF.	Part number	description	old part number
V13	CPYECCDA	COMPLETE PUSH CHUTE DOOR ASSEMBLY	
1	CPYECSE50202	PUSH CHUTE DOOR - 8¼" x 10 3/16"	
1	CPYECLHO50202	DOOR - 8¼" x 10 3/16" WITH LOCK HOLE ONLY	
1	870011231	PUSH CHUTE DOOR BOLT 10-32 x 1"	20200070
	870055110	#10-32 NYLON LOCK WASHER	20400060
2	21200390	LOCK—RANDOMLY KEYED - 1⅞" BARREL	21200030
COIN DOOR LOCKS ARE KEYED DIFFERENTLY. IF YOUR KEY IS LOST, REPLACE THE LOCK. YOU CANNOT ORDER A REPLACEMENT KEY			
	800000105	LOCK BACK PLATE	20600081
	20110010	BACK PLATE SCREW #8 X ½"	
3	20600046	PUSH CHUTE END - 6½" (MODEL #39 AND AFTER)	20600044
	20200110	PUSH CHUTE END BOLT 8-32 x 5/8"	
	20300150	PUSH CHUTE END NUT 8-32	
	870055110	#10-32 NYLON LOCK WASHER	20400060
	ni20400100	#8 WASHER	
4	21705690	PUSH CHUTE COUNTER WITH ARM & SPRING	
	DISCONTINUED	COUNTER ARM	21700071
	21703940	COUNTER SPRING WITH HOOK	
	20100060	COUNTER MOUNTING SCREW #4 x 9/16"	
	CPYOORTF	PUSH CHUTE COUNTER RETROFIT KIT	
COIN COUNTER IS MOUNTED ON THE COIN DOOR SINCE 1994— CPBSM SERIAL # S15594			
5	20605090	LOCK COVER	
6	20110010	LOCK COVER SCREW #8 x ½"	
7	20100090	LOCK COVER SCREW #8 x ¾"	
8	890000630	ESD V-8 COIN CHUTE (SET AT 4x \$0.25)	
8	890000620	ESD V-5 COIN CHUTE (SET AT 3x \$0.25)	
8	890000125	ESD BLANK INSERT	
	890000145	ESD QUARTER INSERT	



PUSH CHUTE TRAP ASSEMBLY

REF.	Part number	description	old part number
1	20600021	PUSH CHUTE TRAP (ENTIRE SHADED PART)	
2	21700022	BALL STOP	
3	ni870000302	SHOULDER BOLT, 1/4-20 x 3/8 x 5/16	20100010
THESE PARTS ARE USED ONLY WITH THE OLD TRAP PIVOT SCREWS, NOT WITH THE SHOULDER BOLTS			
	20300090	T-NUT 1/4-20	
	20400110	5/16" STAR WASHER	
4	PCPYJMPTA20102	UPPER BALL WEDGE ASSEMBLY	CPYDYPTA00102
	21303960	UPPER BALL WEDGE LAMINATE	21304070
5	20700363	RUBBER MAT, TRAP SHELF	
6	CPYOOPTA30202	BALL TRAP, RIGHT SIDE	PCPYOOPTA30202
7	CPYOOPTA00201	BALL TRAP, LEFT SIDE	
8	860200075	BALL DEFLECTOR BLOCK	

NOT SHOWN	963930185L	93 CENTER BALL WEDGE (LEFT)	
NOT SHOWN	963930185R	93 CENTER BALL WEDGE (RIGHT)	



LOCKS AND KEYS

Part number	description	old part number
21200390	LOCK AND KEY/LB & LC (COIN CHUTE DOOR) 1 1/8"	21200030
21200400	LOCK AND KEY/SB & SC (CASH BOX COVER) 7/8"	
21200560	LOCK AND KEY/LB & LC #54	
21200550	KEY ONLY #54	
21200070	KEY ONLY C-512—LOCKS NO LONGER STOCKED	
DISCONTINUED	LOCK AND KEY/LB & LC C512	21200410

BALLS

Part number	description	old part number
20900016	ARAMITH BALL SET W/MAGNETIC CUE BALL	20900010
DISCONTINUED	ARAMITH BALL SET W/REGULAR CUE BALL	20900020
20900046	VALLEY COUGAR MAGNETIC CUE BALL	20900045, 50, 55

HARDWARE

Part number	description	old part number
ni20100020	RAIL MOLDING SCREW #6 x 5/8"	
ni20100060	COUNTER MOUNTING SCREW #4 x 9/16"	
ni20110010	BACK PLATE/LOCK COVER SCREW #8 x 1/2"	
ni20200020	CUSHION RAIL BOLT 1/4-20 x 4 1/2"	
ni20200030	LEG BOLT 5/16-18 x 1 1/2"	
ni20200060	MAGNET HOLDER BOLT 1/4-20 x 2 1/2"	20200050
ni20200110	PUSH CHUTE END BOLT 8-32 x 5/8"	
ni20200140	DOOR HEADER BOLT 1/4-20 x 1 1/2"	
ni20200450	DOOR RAIL HEX BOLT 1/4-20 x 1 1/4"	
ni20201091	POCKET LINER SCREW 8-32 x 1/4"	
ni20201101	STAND OFF SCREW 8-32 x 1/4"	
ni20300090	T-NUT 1/4-20	
ni20300110	LEG T-NUT 5/16-18	
ni20300820	LEG T-NUT W/BASE 5/16-18	
ni20400100	#8 PUSH CHUTE END WASHER	
ni20400110	STAR WASHER 5/16	
ni20400120	WASHER (DOOR & DOOR RAIL)	
ni20400170	TRIM MOLDING NAIL #14 x 7/8	
ni20400180	TRIM MOLDING SCREW NAIL #2 x 3/4	
ni20400410	FENDER WASHER 25/64 x 1 1/2"	
ni20400780	#10 COUNTERSUNK POCKET LINER WASHER	
ni870000100	CLEAN OUT DOOR INSERT SCREW 8-32 x 2"	20100390
ni870000302	SHOULDER BOLT 1/4-20 x 3/8 x 5/16"	20100010
ni870001208	LEG PLATE SCREW #8 x 1 1/4"	20100100
ni870007405	CORNER CASTING BOLT 3/8-16 x 3/4"	20200370
ni870011231	PUSH CHUTE DOOR BOLT 10-32 x 1"	20200070
ni870015205	LOCK COVER SCREW #8 x 3/4"	20100090
ni870015206	LEG T-NUT W/BASE SCREW #6 x 3/4"	20102290
ni870050103	WASHER #10	20400060
ni870055110	PUSH CHUTE END NYLOK HEX NUT 10-32	20300150
ni870099104	1/4" FLAT WASHER (MAGNET/DOOR HEADER)	20400090
DISCONTINUED	DOWN CORNER SCREW #8 x 3/4"	20100360
DISCONTINUED	SHOULDER BOLT 9/16 -10 x 32	20200300
DISCONTINUED	WING NUT #8 x 32	20300030
DISCONTINUED	DOWN CORNER NUT 1/4"	20300740
DISCONTINUED	LARGE POCKET LINER NAIL #6 x 3/4"	20400160

All parts are N and the letter i , never N and the number one

PARTS FOR VALLEY ZD-X AND GREAT 8® TABLES

part number	description
03000135	KEY # 7515
030205025	VALLEY METAL MOTOR KIT
244-1020	REPLACEMENT COIN METER (WILL NEED TO BE SPLICED INTO THE EXISTING HARNESS)
730200335	WIRE HARNESS, GREAT 8 PCB TO DISPLAY
730200336	WIRE HARNESS, ZD-X SERIES PCB TO DISPLAY
730200337	WIRE HARNESS, ICT GREAT 8
730200430	COMPLETE ZD-X SERIES TABLE WIRE HARNESS
800206013	MOTOR ARM
800206040	BATTERY CHARGER STRAP
850200245	DECAL, ICT OPERATING INSTRUCTIONS (ENGLISH)
850200247	DECAL, ICT OPERATING INSTRUCTIONS (SPANISH)
860200902	LCD LENS W/GRAPHICS
860300415	PLASTIC CASH BOX
880200100	12v MEI AE2655 BILL ACCEPTOR
880200125	12v ICT S7 BILL ACCEPTOR
880200135	VALLEY BALL DROP MOTOR WITH MOTOR ARM (2017-PRESENT)
880200136	VALLEY BALL DROP MOTOR (2017-PRESENT) W/WIRE HARNESS, MOTOR ARM AND RELEASE CABLE
880200365	ZD-X VER 11.2 CONTROLLER PCB
DISCONTINUED	ICT v7.5 PC BOARD SET
880200515	GREAT 8 12V/12AMP BATTERY
880200520	ZD-X 12V/18AMP BATTERY
880200525	TOP CAT 12V/26 AMP BATTERY
DISCONTINUED	GREAT 8 1a BATTERY CHARGER
880200557	ZD-X 3a BATTERY CHARGER
880200605	LCD DISPLAY
880303210	DBA/DROP COIN DOOR (CURRENT MODEL—COMPLETE - RAISED BUTTON BEZELS)
890300700	ELECTRONIC COIN COUNTER FOR DBA HARNESS
900200900	LCD DISPLAY LENS GASKET
980000550	LOCK # 7515
990205035	VALLEY GREAT 8 MOTOR ARM CABLE ASSEMBLY (THROUGH 2016)

- ◆ THE VALLEY ZD-X SERIES USES AN MEI AE2655 OR ICT S7 BILL ACCEPTOR.
- ◆ ANY 12v VALIDATOR YOU PLAN TO USE MUST HAVE A SLEEP MODE
- ◆ GREAT 8 TABLES WERE DISCONTINUED IN 2009
- ◆ SPECIFIC PARTS FOR THE ICT & JCM EQUIPPED GREAT 8 ARE NO LONGER AVAILABLE.
- ◆ THE ZDX CONVERSION KIT BRINGS AN ICT TABLE TO CURRENT STANDARDS
- ◆ KITS ARE NO LONGER OFFERED TO UPGRADE JCM-EQUIPPED TABLES

030200100	ZDX CONVERSION KIT
030200110	ZDX CONVERSION KIT (NO BATTERY & CHARGER) —special order

