

Exploded Parts Diagram

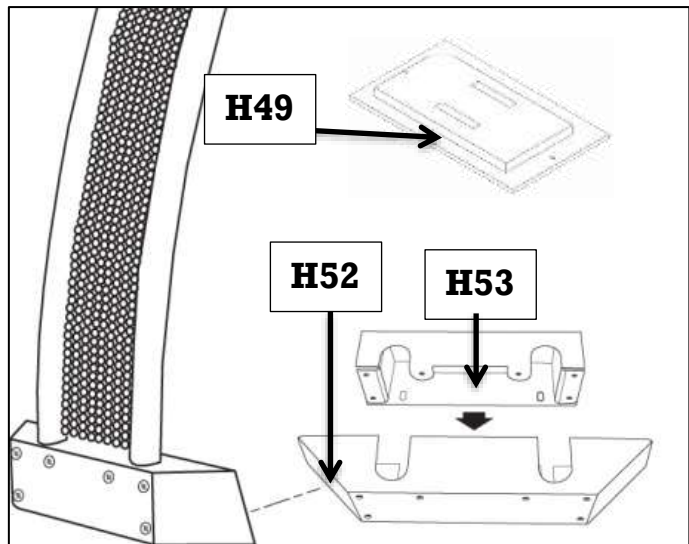
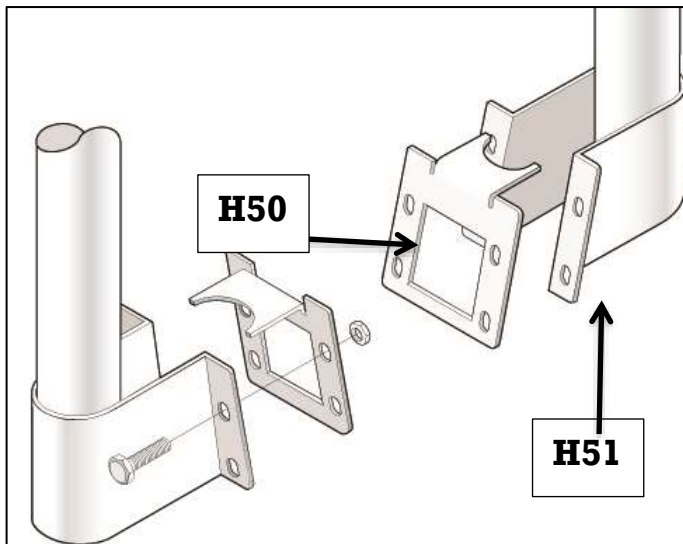
Identifiers on the drawing correspond to the part numbers listed below. Order the correct part number for your table.

Remember : there's no such thing as an "H3". *The Part number is key.*

Ref #	Part Number	Item Description
H1	030400260	3-PIECE SHIELD SET - 8-FOOT TABLES
H1	030400270	3-PIECE SHIELD SET - 7-FOOT TABLES
H1	030400300	3-PIECE SHIELD SET FOR SHORT SHOT
H2	980000705	LOCK WITH KEY #J8045 SCREW LOCK GOAL ENDS
H2	030000140	KEY J8045 GOAL ENDS
H3	800401921	GOAL END, LOCK ENTRY, BLACK, BEST SHOT / PROSTYLE
H3	800401991	GOAL END, LOCK ENTRY, FLUORESCENT, HOT FLASH II
H3	800400961	GOAL END, LOCK ENTRY W/SPEAKER GRILLE, BLUE, SHORT SHOT
H3	800450011	GOAL END, LOCK ENTRY W/SPEAKER GRILLE, ORANGE, FIRE STORM
H3	800400951	GOAL END, LOCK ENTRY, SILVER, BLUE STREAK
H3A	800400990	GOAL END, LOCK ENTRY TAPERED - LUNAR GREEN BLACK HOLE
H3A	800400995	GOAL END, LOCK ENTRY TAPERED - PURPLE COSMIC THUNDER
H4	850400470	OPTO-SHIELD DECAL FOR GOAL END
H5	800401800	GOAL ENTRY
H6	800402300	BRACKET, SOLENOID
H6	800402310	BRACKET, DC SOLENOID
H8	860000300	CORNER, DOWN, BLACK
H8	860404700	CORNER, DOWN, WHITE (COSMIC THUNDER)
H9	960402805	DROP, PUCK
H9A	960402800	DROP, PUCK FOR BLACK HOLE / COSMIC THUNDER ONLY (2 PER END)
H10	980000530	LOCK WITH #106 KEY FOR SERVICE DOORS
H10	030000130	KEY #106 - SERVICE DOORS
H11	990400603	SERVICE ACCESS DOOR - BLANK
H12	030402015	KIT, SIDE MOUNT SCORING DISPLAY
H12	800401910	BRACKET, SCORE SIDE MOUNT, BLACK
*	860400300	LENS, RED SIDE MOUNT SCORE DISPLAY
*	730408400	WIRE HARNESS, SCORE, SIDE MOUNT EXTENSION
H13	860001325	LEG, BLACK
H13	860404700	LEG, WHITE (COSMIC THUNDER)
H14	20607560	LEG LEVELER
H15	860400030	CORNER, PLASTIC COVER HOCKEY (ONLY ON TABLES WITHOUT ROUNDED RAILS)

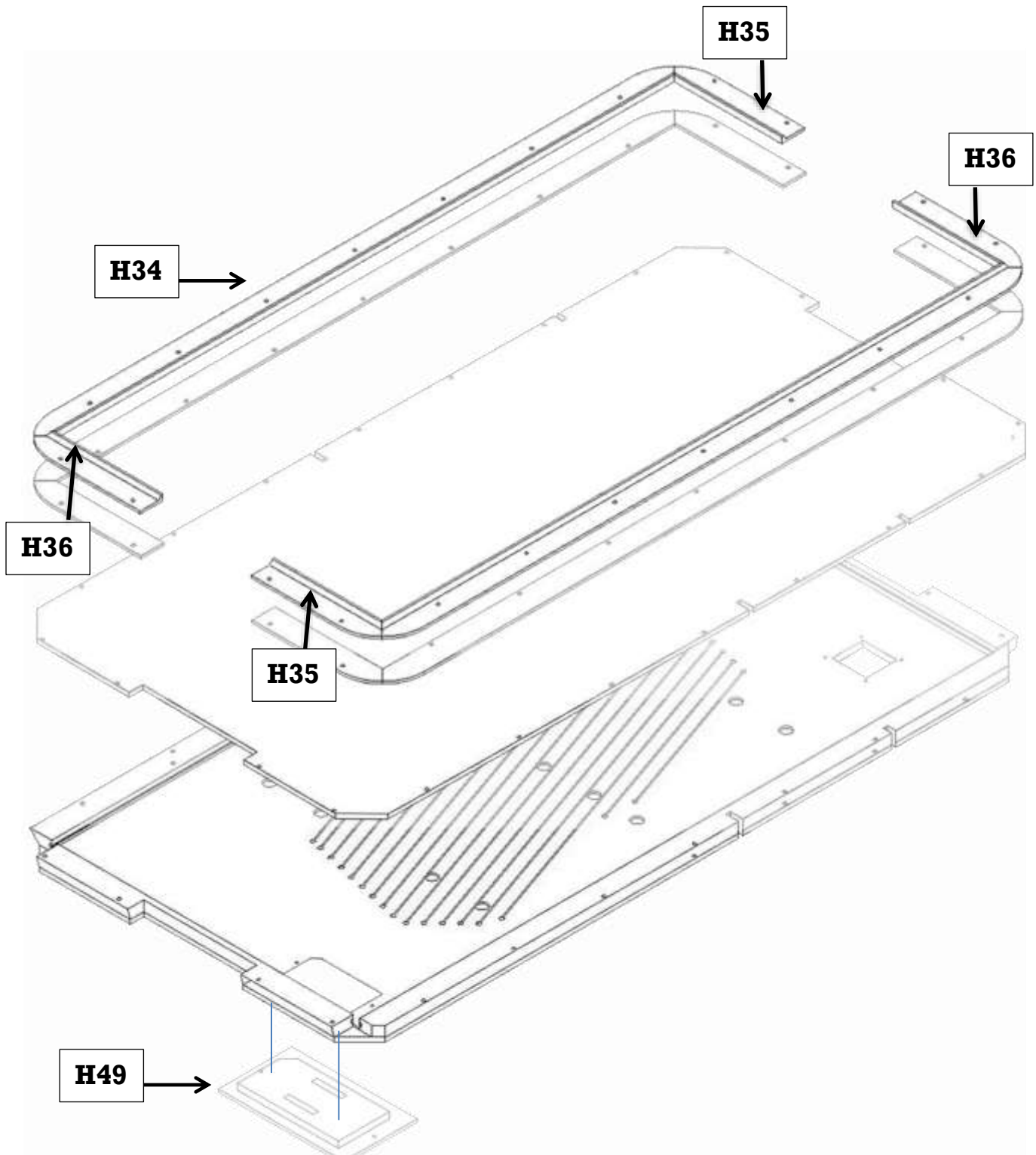
Ref #	Part Number	Item Description
H17	730450061	LED LIGHT STRIP FOR FIRE STORM
H17	730450056	LED LIGHT STRIP FOR SHORT SHOT
H18	NI020200030	LEG BOLT : 5/16-18 x 1½ SLT HEX W/WASHER
H19	NI870012309	BLACK RAIL/GOAL BOLT : MS, ¼"-20 X 1½" PAN PHILLIPS
H19	NI870054205	THREADED INSERT : ¼"-20 x .984 GOAL ANCHOR
H20	880406035	SWITCHING MODE POWER SUPPLY
H21	880400147	PCB, v9.02 DOMESTIC HOCKEY FOR TABLES WITH SOUND
H21	880400127	PCB, v7.2 DOMESTIC HOCKEY LOGIC
*	030402075	PCB, v7.2 INTERFACE KIT FOR OLDER TABLES
H21	880400150	PCB, v10 COSMIC THUNDER
*	730400100	COMPLETE WIRE HARNESS, MAIN HOCKEY v7.0
*	730400105	COMPLETE WIRE HARNESS, MAIN HOCKEY v7.2
	730400540	COMPLETE WIRE HARNESS, MAIN HOCKEY v9.0x
*	730400200	WIRE HARNESS, EXPORT CE HOCKEY
*	730408305	WIRE HARNESS, SCORE DISPLAY MAIN
H22	880400300	SOLENOID,120 AC - USA DOMESTIC
H22	880400320	SOLENOID,12 DC CE TABLES ONLY
*	NI879900150	SOLENOID LOCKING PIN, 1/8 x 3/4 ROLL PIN
*	980400110	SOLENOID RETURN SPRING
H23	880400600	RELAY,G4W-11123A USTV8HP12DC
H24	880400710	TRANSFORMER, 120V TO 12 VAC - FOR v6.11 AND OLDER TABLES
H24	880400715	TRANSFORMER, 120V TO 10 VAC - FOR v7.0 TABLES
H24	880400720	TRANSFORMER ,STEP DOWN 220V TO 110V AC
H25	880400900	BLOWER MOTOR 110V - USA DOMESTIC
H25	880400910	BLOWER MOTOR, 220V - EXPORT
H26	980400400	BLOWER MOTOR GASKET
H27	880400202	BOARD, LED SCORE SIDE MOUNT
H28	880300360	SPEAKER SET (OF 2) FOR TABLES WITH SOUND ONLY
H29	880404200	SCORE OPTIC BOARD
H30	860401458	DECAL,SIDE HOT FLASH II (PRE 2017 - WHILE SUPPLIES LAST)
H30	860450010	DECAL SIDE FIRE STORM
H30	860404160	DECAL,SIDE BLUE STREAK
H30	860402458	DECAL,SIDE BEST SHOT
H30	860404712	DECAL SIDE COSMIC THUNDER
H30	860404458	DECAL SIDE SHORT SHOT
H31	860403458	DECAL,END HOT FLASH II (PRE 2017 - WHILE SUPPLIES LAST)
H31	860450000	DECAL END FIRE STORM
H31	860404150	DECAL,END BLUE STREAK
H31	860404717	DECAL,END COSMIC THUNDER
H32	800401000	GOAL END NUT BLOCK BRACKET
H33	960402810	GOAL END NUT BLOCK
H34	720400700	SIDE RAIL WITH ROUND CORNER, SILVER 7-FOOT (PRO-STYLE, BLUE STREAK)
H35	720400720	END RAIL WITH ROUND CORNER, RIGHT, SILVER 7-FOOT (PRO-STYLE, BLUE STREAK)
H36	720400710	END RAIL WITH ROUND CORNER, LEFT, SILVER 7-FOOT (PRO-STYLE, BLUE STREAK)
H34	7204PU800	SIDE RAIL WITH ROUND CORNER, PURPLE COSMIC THUNDER
H35	7204PU820	END RAIL WITH ROUND CORNER, RIGHT PURPLE COSMIC THUNDER
H36	7204PU810	END RAIL WITH ROUND CORNER, LEFT PURPLE COSMIC THUNDER
H34	720400800	SIDE RAIL WITH ROUND CORNER, SILVER 8-FOOT (BEST SHOT / PRO STYLE)
H35	720400820	END RAIL WITH ROUND CORNER, RIGHT, SILVER 8-FOOT (BEST SHOT / PRO STYLE)
H36	720400810	END RAIL WITH ROUND CORNER, LEFT, SILVER 8-FOOT (BEST SHOT / PRO STYLE)
H34	7204TY800	SIDE RAIL WITH ROUND CORNER, FLUORESCENT HOT FLASH II

Ref #	Part Number	Item Description
H35	7204TY820	END RAIL WITH ROUND CORNER, RIGHT FLUORESCENT HOT FLASH II
H36	7204TY810	END RAIL WITH ROUND CORNER, LEFT FLUORESCENT HOT FLASH II
H34	7204TR800	SIDE RAIL WITH ROUND CORNER, ORANGE FIRE STORM
H35	7204TR820	END RAIL WITH ROUND CORNER, RIGHT ORANGE FIRE STORM
H36	7204TR810	END RAIL WITH ROUND CORNER, LEFT ORANGE FIRE STORM
H37	020407031	PLAYFIELD, 8-FOOT BLUE W/SMALL LOGO (PRO-STYLE, BEST SHOT)
H37	020407181	PLAYFIELD, HOT FLASH II UV (BLUE W/LARGE LOGO - THROUGH 2017)
H37	020407150	PLAYFIELD, HOT FLASH II UV (PURPLE W/LARGE LOGO - 2017-PRESENT)
H37	020407135	PLAYFIELD, FIRE STORM UV (BLACK W/FLAME TRIM)
H37	020407425	PLAYFIELD 7-FOOT BLUE W/SMALL LOGO (PRO-STYLE, BLUE STREAK)
H37	020407040	PLAYFIELD 5-FOOT BLUE W/SMALL LOGO (SHORT SHOT)
H39	880303140	COIN DOOR WITH LOCK, FRAME AND ROLL-DOWN MECHS
H40	800200750	METAL CASH BOX BOTTOM
H40	800200760	METAL CASH BOX LID
H40	860000815	PLASTIC CASH BOX FOR TABLES WITH 8-DEGREE DOOR



MOST OVERHEADS		
Ref #	Part Number	Item Description
H49	880403101	OVERHEAD LED SCOREBOARD
H50	800404750	MOUNTING BRACKET CLAMP - HF II FLUORESCENT
H50	800404752	MOUNTING BRACKET CLAMP - SILVER
H50	800404762	MOUNTING BRACKET CLAMP - BLACK
H51	800404726	MOUNTING BRACKET (SIDE) - HF II FLUORESCENT
H51	800404728	MOUNTING BRACKET (SIDE) - SILVER
H51	800404738	MOUNTING BRACKET (SIDE) - BLACK
	800404772	LIGHT HOUSING BRACKET - HF II FLUORESCENT
	800404823	LIGHT HOUSING BRACKET - SILVER
	800404833	LIGHT HOUSING BRACKET - BLACK
	870047105	WASHER ¼" ZINC
	870012307	SCREW, BLACK, PAN HEAD PHILLIPS ¼-20 x 1"
FIRE STORM OVERHEAD ONLY		
H52	800450090	OVERHEAD TUBE COVER - FIRE STORM
H53	800450100	MOUNTING BRACKET (SIDE) - FIRE STORM
	800450110	LIGHT HOUSING BRACKET - FIRE STORM

Cosmic Thunder Polycarbonate Playfield



H34	7204PU800	SIDE RAIL WITH ROUND CORNER, PURPLE COSMIC THUNDER
H35	7204PU820	END RAIL WITH ROUND CORNER, RIGHT PURPLE COSMIC THUNDER
H36	7204PU810	END RAIL WITH ROUND CORNER, LEFT PURPLE COSMIC THUNDER
H49	880403101	OVERHEAD LED SCOREBOARD



880301420

On/Off Rocker Switch



860800475

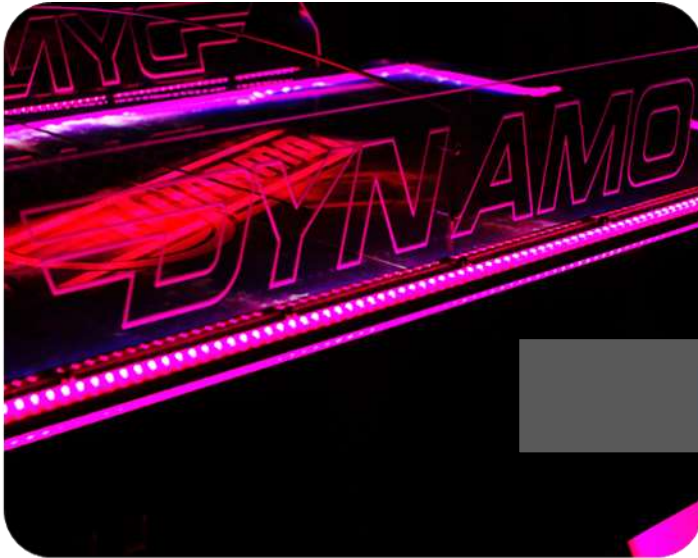
Red Start Button

**For Non-coin
home-model
tables only**

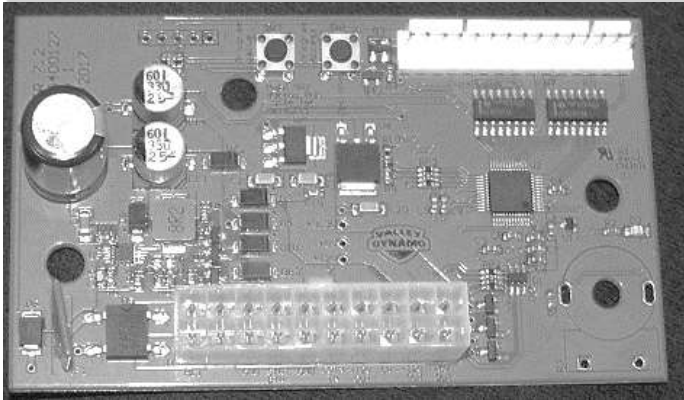
860400150	PUCK, FLUORESCENT QUIET WHITE
860400210	MALLET, FLUORESCENT WHITE
980400200	SANDPAPER DISC



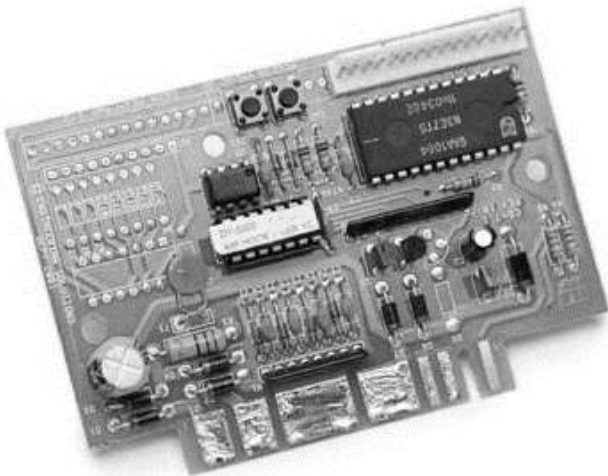
860400090	PUCK, FLUORESCENT
860400150	PUCK, FLUORESCENT QUIET WHITE
860400210	MALLET, FLUORESCENT WHITE
980400200	SANDPAPER DISC



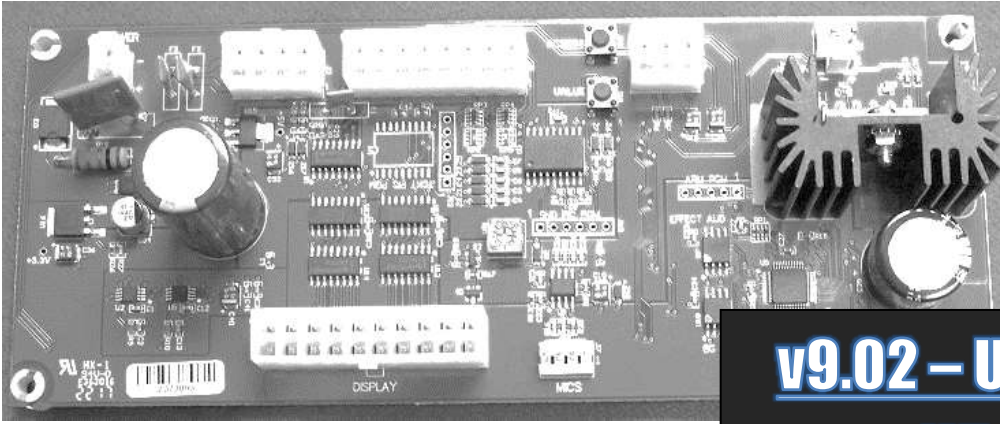
PCB Identification



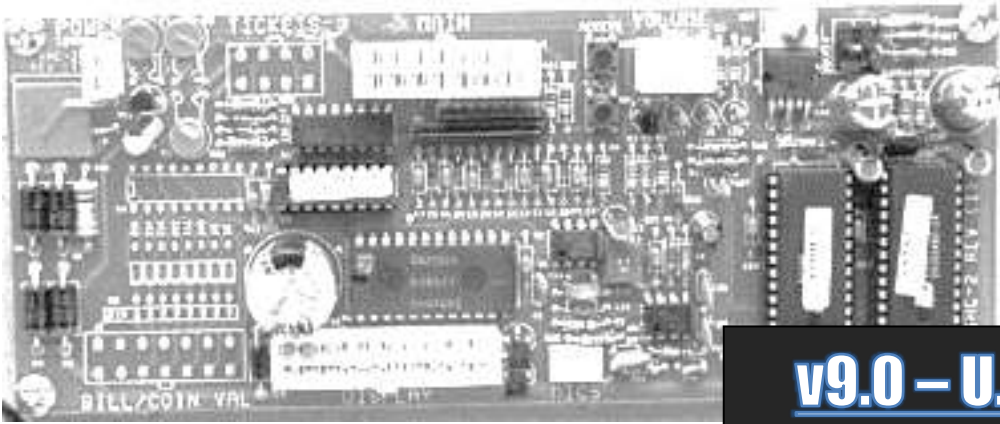
v7.2 – U.S. 110v tables
Without sound
part # 880400127



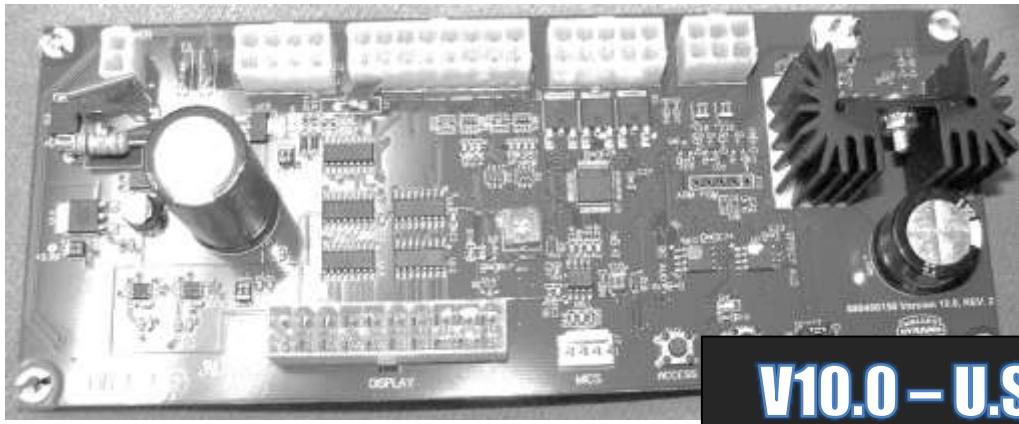
v7.0 – U.S. 110v tables
Without sound
part # 880400125 – replaced by v7.2
PCB in 2017, no longer available



v9.02 – U.S. 110v tables
With sound
part # 880400147



v9.0 – U.S. 110v tables
With sound
part # 880400145 – NO LONGER AVAILABLE
replaced with v9.02 PCB in 2018



v10.0 – U.S. 110v tables
Cosmic Thunder
part # 880400150

