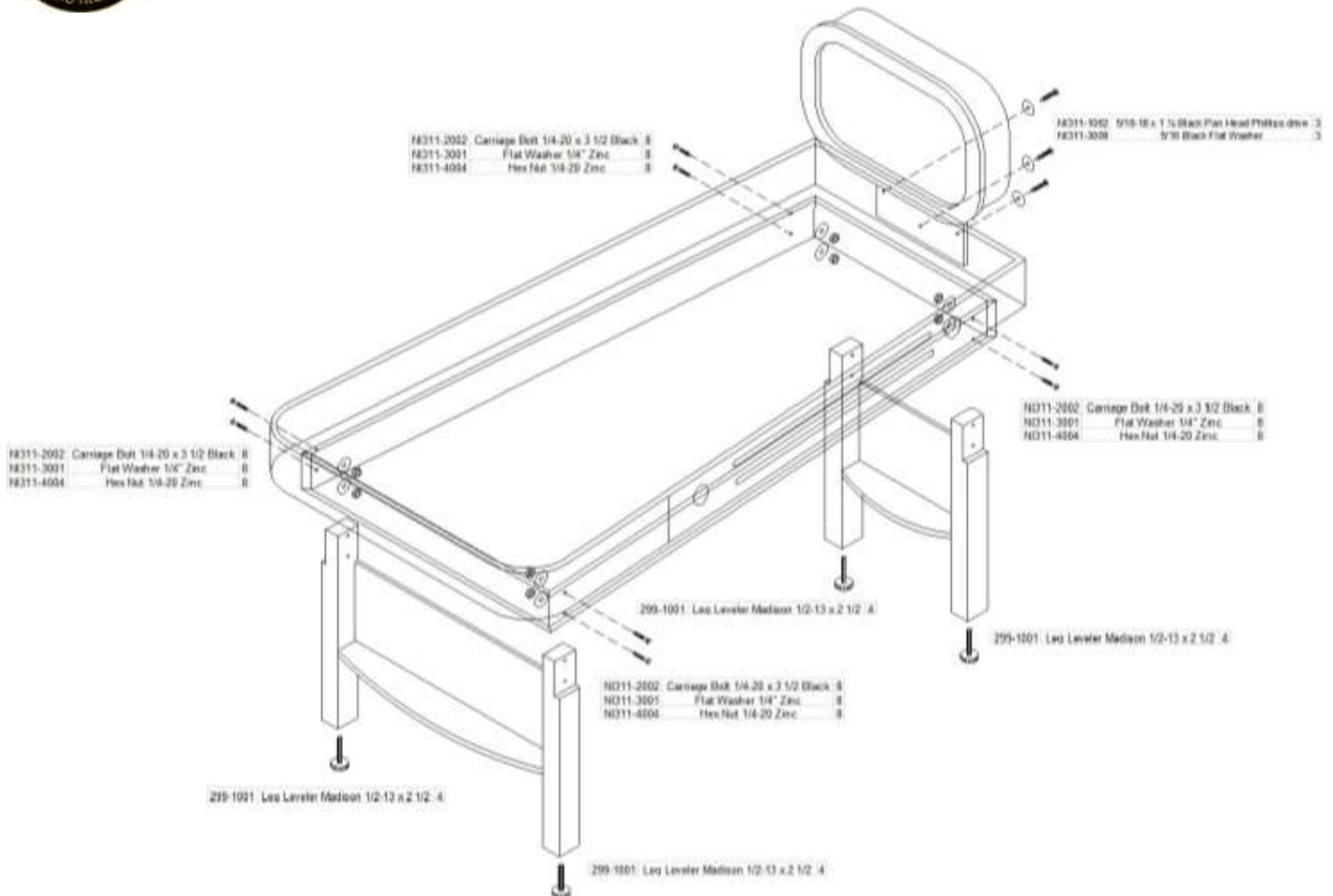




BANK SHOT ASSEMBLY – at least two people



1. Open the box.

2. Install the leg levelers to the bottom of the legs

3. Attach the legs to the table either by.

First method.

- Using the cardboard box for protection lift and move the body of the Bankshot to the right approximately six inches and rotate the frame onto its left side.
- Install the front and back legs using the carriage bolts, washers and 1/4 - 20 nuts.
- Carefully pick up the Bankshot. **NEVER PUT WEIGHT ON THE LEGS AS YOU TURN THE TABLE...** This will damage the frame. Turn it right side up and set it down on the legs.

•

or Second method.

- Lift the wide end of the table frame and install the wide leg using Carriage bolts, washers and nuts
- Lift the narrow end and install the narrow leg using Carriage bolts, washers and nuts.

4. On the narrow end install the score display using the three 5/16-18 bolts and connect the white connector from the score display to the cabinet harness.

5. Pick up the Bankshot—NEVER DRAG IT-- and move it to the final placement position.

6. Plug in the power wall transformer into the wall outlet and the 5mm plug into the mate plug coming out of the Score display unit.