



ASSEMBLY INSTRUCTIONS

Accessory Pack Contents

• LEG BOLT (3/8-16 x 6" Carriage Bolt)	part #870010421	4
• NUT (3/8-16 Hex Nut)	part # 20300900	4
• WASHER (3/8 ID Fender Washer)	part # 20401080	8
<i>(additional leg bolts, nuts and washers secure the legs to the table for shipment and are not part of the hardware pack)</i>		
• SMALL PUCK – Fluorescent	part # 860400255	1
• SMALL PUCK – Soft White	part # 860400270	1
• SCORE POST ASSEMBLY		1
• #8 x 1½ " FLAT HD PH BLACK SCREWS	part # 20100215	4
• #8 x 5/8 BLACK TRUSS HEAD SCREWS	part # 870003204	12
• SANDPAPER	part # 980400200	2
• LEG BOOT	part # 20701070	4
• LEG SHIMS		10
• MALLET	part # 860400210	2

Tools Required

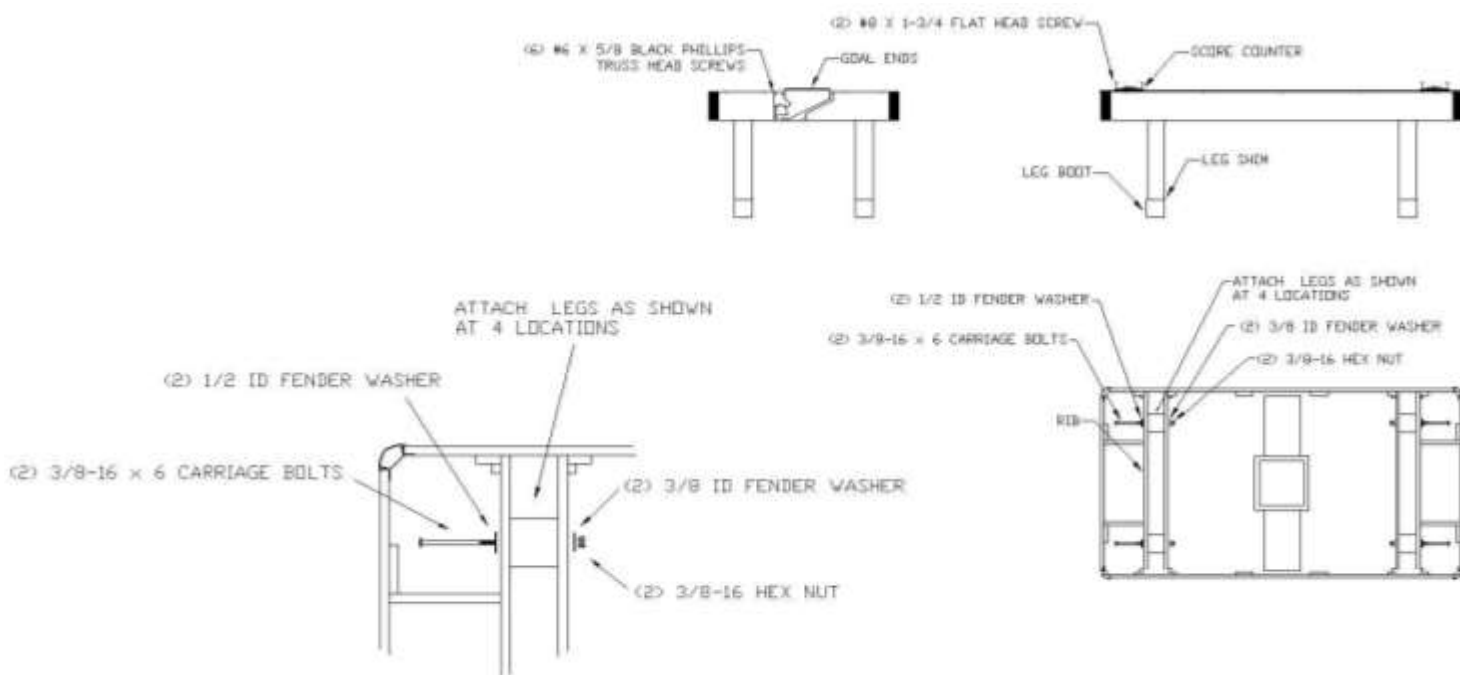
- PHILLIPS SCREWDRIVER
- 9/16" BOX-END OR SOCKET WRENCH
- ALL-PURPOSE CLEANER (*Fantastik, Formula 409, Windex or equivalent*)
- RUBBING ALCOHOL
- CLEAN CLOTH



Register your table and order replacement parts at www.valleydynamoparts.com

© 2014 Valley-Dynamo

1. Remove all parts and accessories from parts box and check against the enclosed list.
2. Have 2 (or more) people carefully turn the table upside down, taking care not to scratch the Corner Castings (assemble on carpet or cardboard)
3. Remove the 3/8" Carriage bolts that secure the legs during shipment and re-position the legs between the ribs. Secure the legs using the hardware as shown in the following illustration.
4. Place four (4) Leg boots on the legs.
5. Have 2 (or more) people carefully turn the table upright.
6. Attach the score beads on each end of the table as shown, using (2) #8 x 1 1/2" screws.
7. Attach the goal ends using (6) each #8 x 5/8 screws.
8. Level the table by inserting the enclosed shims into the Leg Boots as required.
9. Plug the table into an Electric Outlet.



Maintenance Procedure:

Playfield Cleaning – With the blower running, clean by applying Rubbing Alcohol to a clean cloth (**NEVER, EVER, EVER, EVER POUR THE RUBBING ALCOHOL OR ANY LIQUID DIRECTLY ONTO THE TABLE; it will cause the playfield to warp**).

Puck and Mallet Service – Use the enclosed sandpaper to lightly sand the Puck and Mallet faces until they slide smoothly on the playfield.