



## ASSEMBLY INSTRUCTIONS

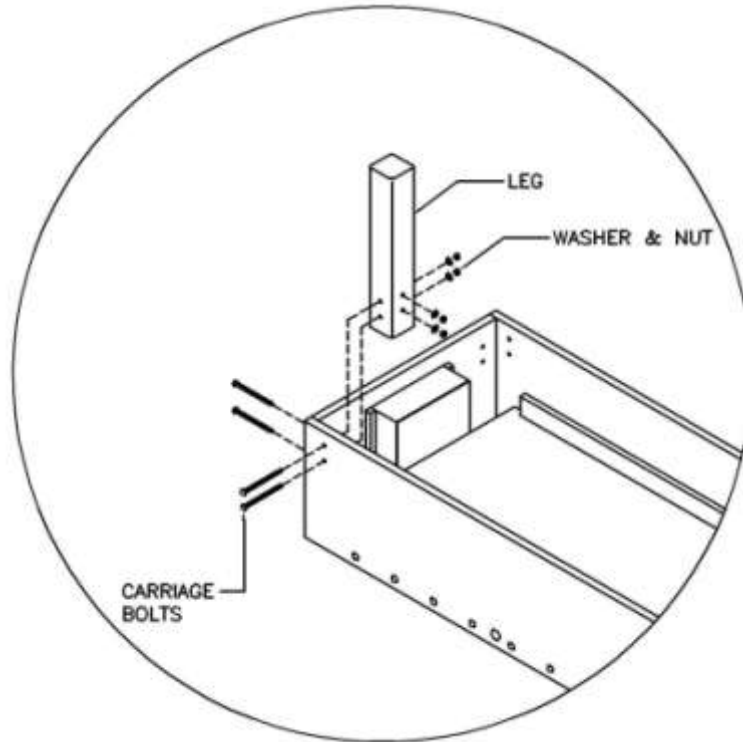
### Accessory Pack Contents

• SOCCER LEG ASSY	4
• RED PLASTIC PLAYER	13
• BLUE PLASTIC PLAYER	13
• TWO MAN ROD	2
• THREE MAN ROD	2
• GOALIE MAN ROD (shorter than 3 man)	2
• FIVE MAN ROD	2
• BLACK RUBBER HANDLE	8
• SOCCER BALLS	3
• SCORE POST	4
• #10 x 2½" OVAL HD BLK OXIDE SCREWS	4
• BLONDE SCORE DISK	5
• BLACK SCORE DISK	5
• SCORE POST ROD	2
• 8-32 x 1¼" SCREWS	26
• 8-32 NYLOC NUTS	26
• BUMPER	16
• RULE BOOKLET	1
• SILICONE IN 2 oz. BOTTLE	1

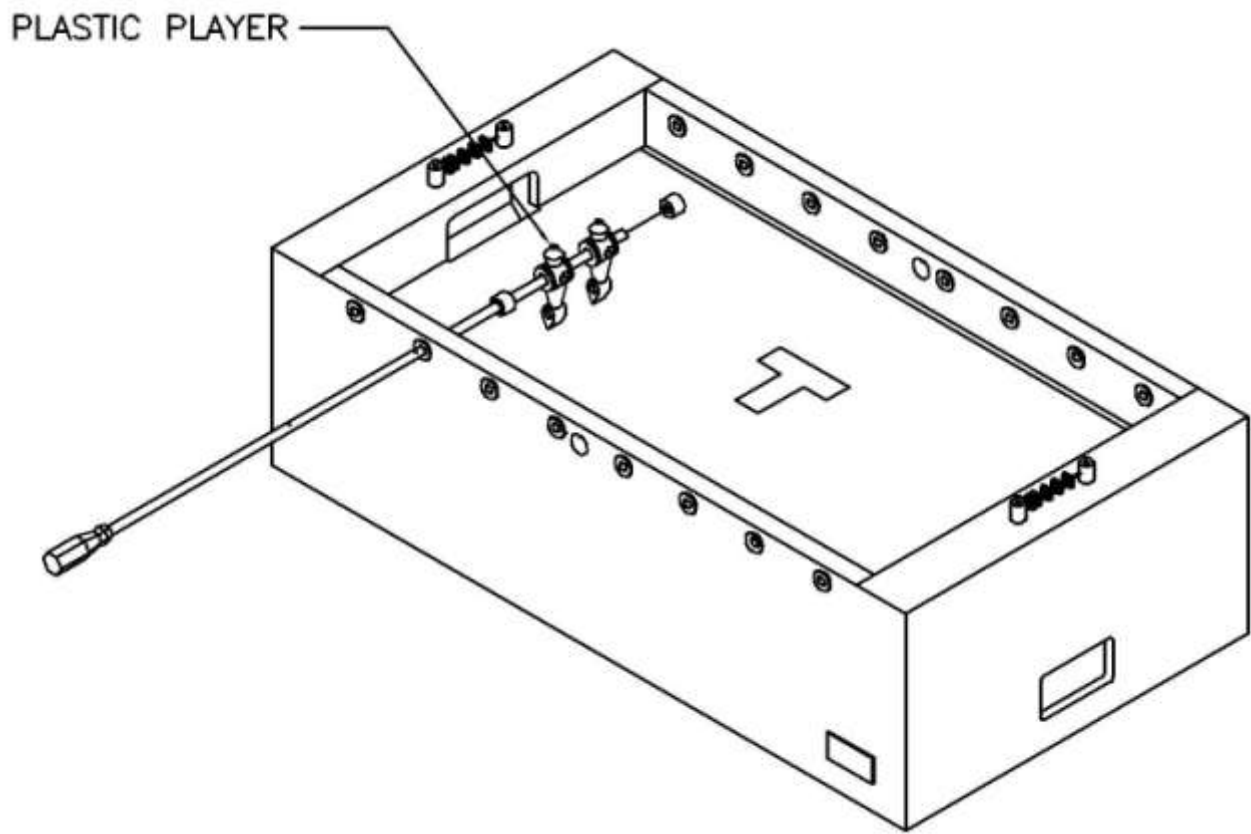
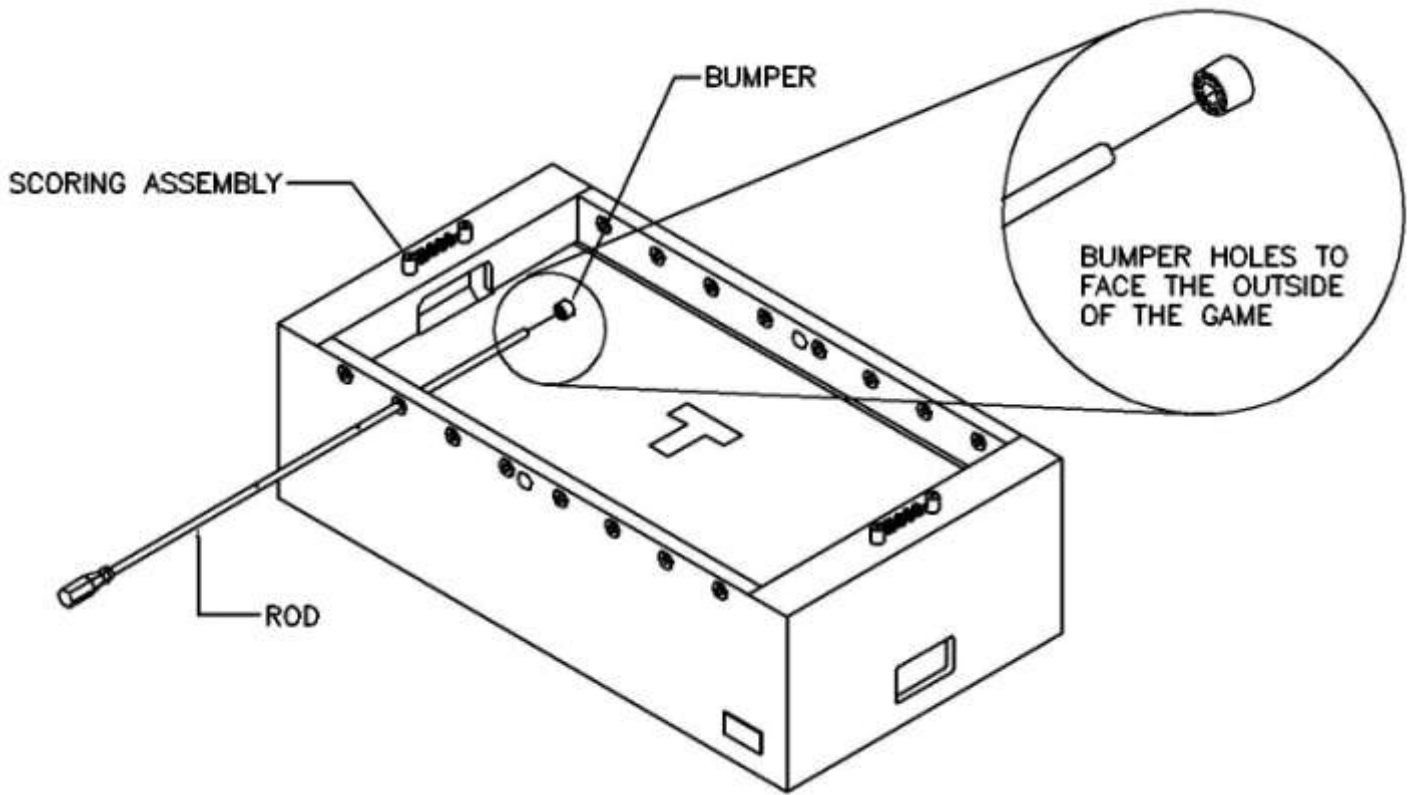
### Tools Required

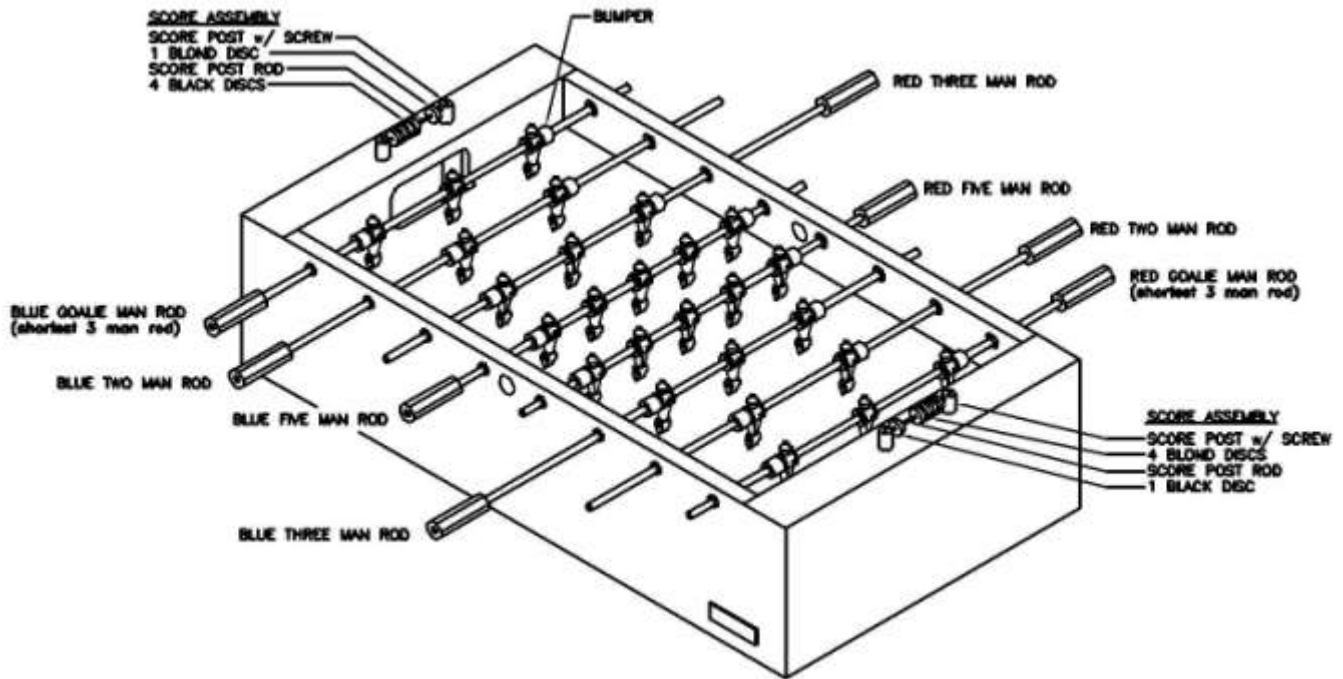
- SMALL HAMMER
- PHILLIPS SCREWDRIVER
- 9/16" BOX-END OR SOCKET WRENCH
- ALL-PURPOSE CLEANER (*Fantastik, Formula 409, Windex or equivalent*)
- CLEAN CLOTH

1. Remove all parts and accessories from parts box and check against the enclosed list.
2. Turn the table upside down, taking care not to scratch the top (assemble on carpet or cardboard).
3. The legs may be assembled in two positions depending on the holes used. Installing them to the higher position places the table at regulation height. The lower position makes it easier for children to enjoy the game.
4. Have two people set the table upright. Wipe it off with a damp cloth.

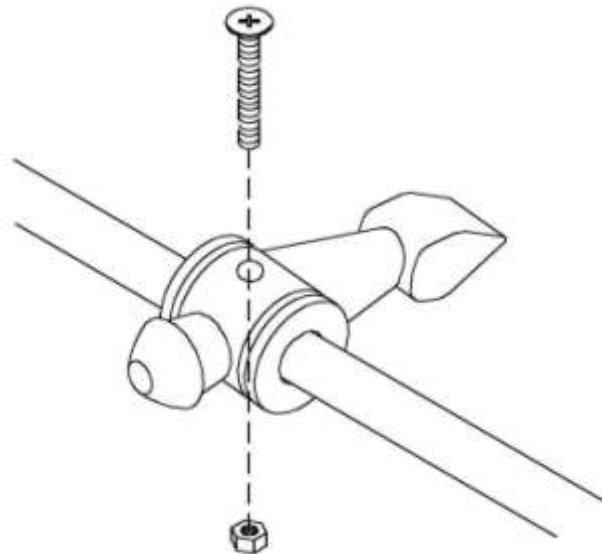


5. Thread the appropriate rods through the corresponding bearing hole (be careful, there are four 3-holed rods and the two shortest of these four rods are the goalie rods). Thread the rod through one side of the cabinet and wipe a thin coating of silicone on the rod using a cloth or paper towel. Thread one black rubber bumper onto the rod (make sure that the side of the bumper with the holes always faces the cabinet wall).
6. Thread the appropriate number of men onto each rod (circular opening in chest of Red men facing blue goal and circular opening in chest of Blue men facing the red goal), followed by another rubber bumper on the far end. Slide the end of the rod into the bearing hole in the opposite cabinet wall.





7. To secure the men, align the holes in each man with the holes in the rod. Insert the nut into the hex-shaped hole in back of the man and tighten the screw through the front.



8. Mount the score assemblies at each end of the table.
9. Level the table by inserting the included shims in the leg boots where required.
10. Lubricate the game at least once a month. To lubricate, first wipe each rod with a clean dry cloth. Second, pull the handle end of each rod out towards you and apply one drop of liquid silicone to the top of the rod, approximately one inch from the outside of the game (do not use spray lubricant). Continuously spin the rod while pushing it in and pulling it out of the game. Finally, remove any excess silicone with a clean soft cloth.