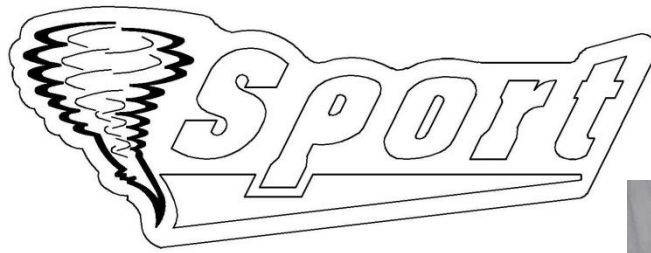


TORNADO



ASSEMBLY INSTRUCTIONS



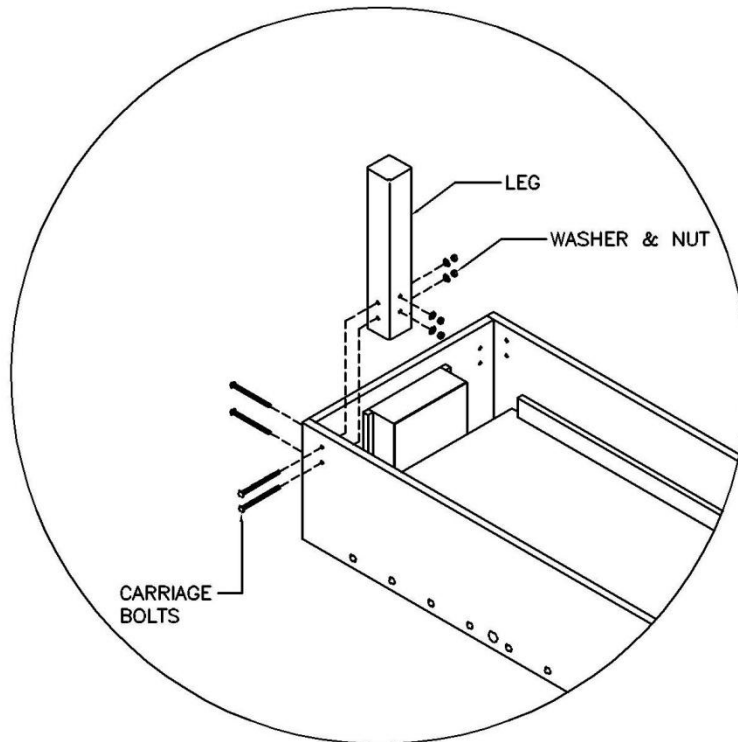
Accessory Pack Contents

• SOCCER LEG	4
• LEG BOLT	16
• NUT	16
• WASHER	16
• LEG BOOT	4
• LEG SHIMS	10
• BLACK PLASTIC PLAYER without WEIGHT	13
• YELLOW PLASTIC PLAYER without WEIGHT	13
• TWO MAN ROD	2
• THREE MAN ROD	2
• GOALIE MAN ROD (shorter than 3 man)	2
• FIVE MAN ROD	2
• BLACK RUBBER HANDLE	8
• ROD SUPPORT BLOCK (2 3/4 X 2 3/4)	1
• SOCCER BALLS	3
• SCORE POST	4
• #12 x 2 1/2 OVAL HD BLK OXIDE SCREWS	4
• BLONDE SCORE DISK	5
• BLACK SCORE DISK	5
• SCORE POST ROD	2
• ROLL PIN PUNCH	1
• ROLL PIN	26
• BUMPER	16
• RULE BOOKLET	1
• SILICONE IN 2 oz. BOTTLE	1

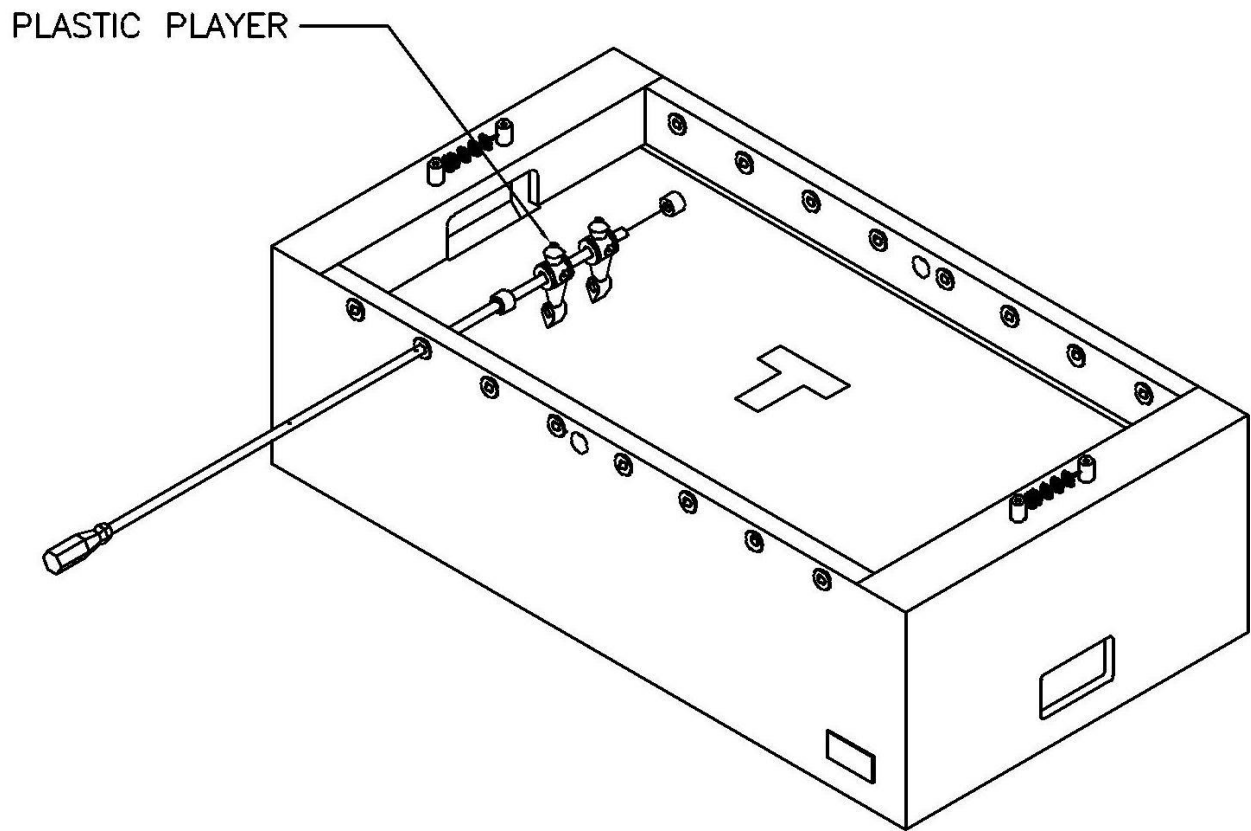
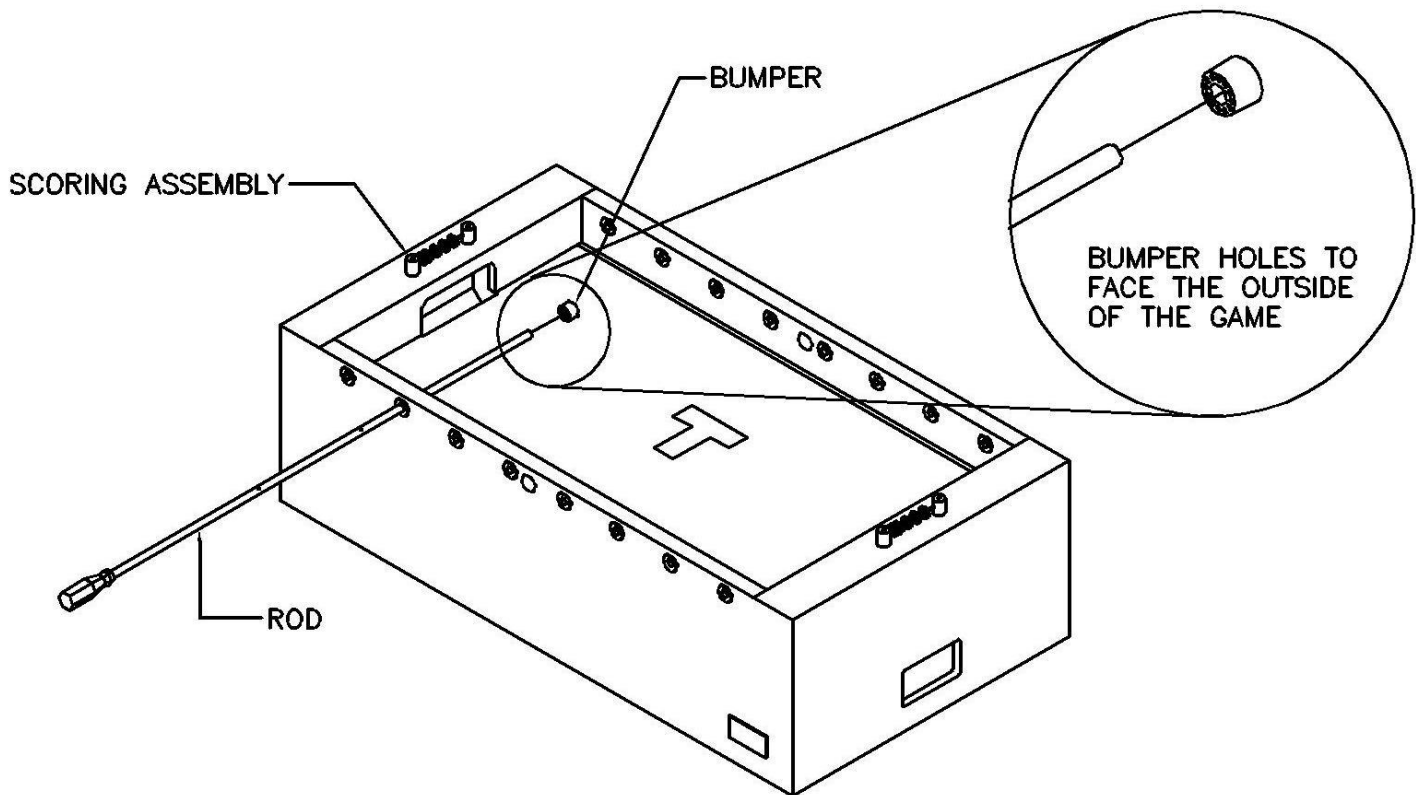
Tools Required:

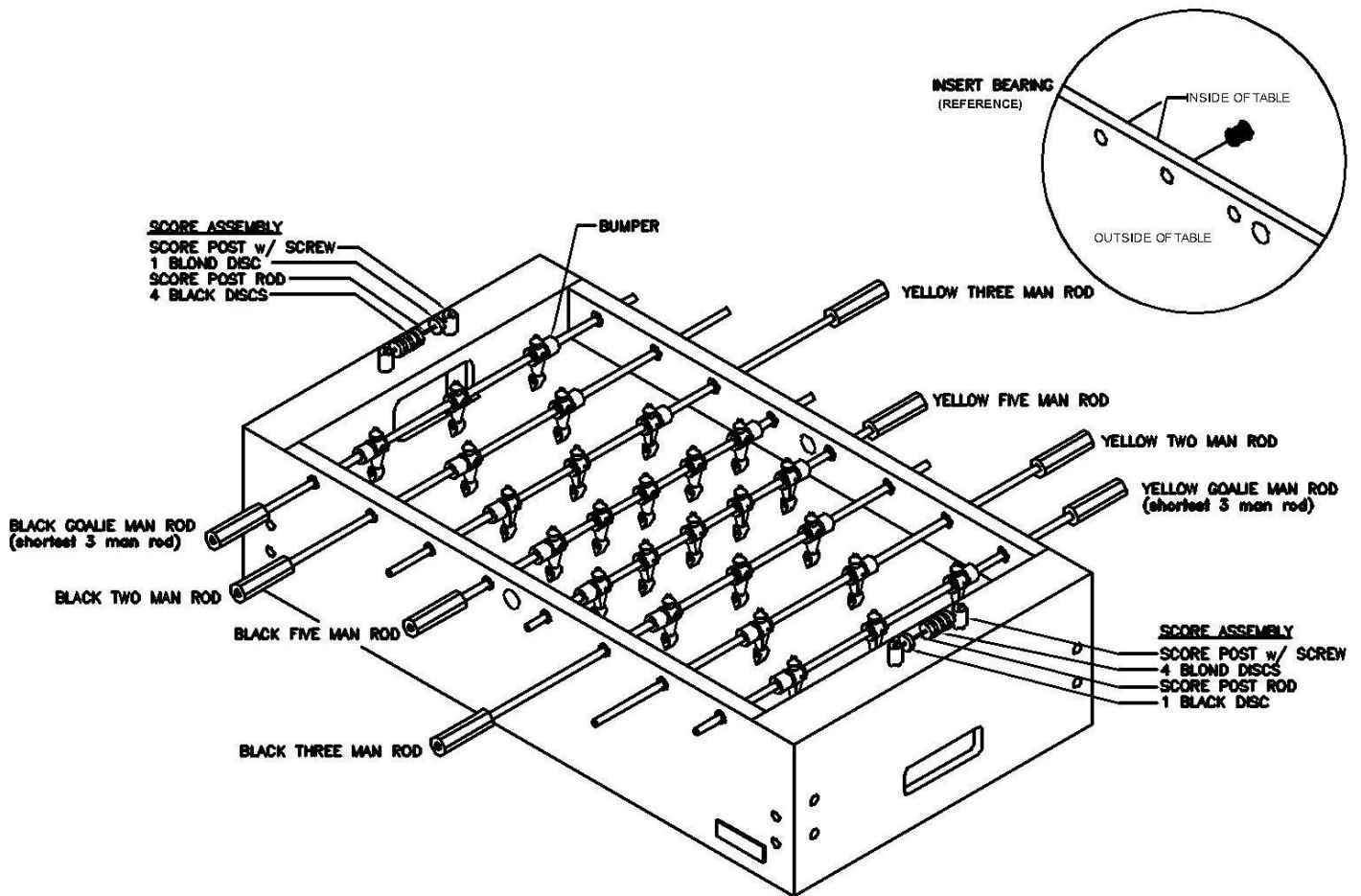
- Small hammer
- Phillips screw driver,
- 9/16" box end or socket wrench,
- cleaning cloth
- cleaner.

1. Remove all parts and accessories from parts box and check against the enclosed list.
2. Turn the table upside down, taking care not to scratch the top (assemble on carpet or cardboard).
3. The legs may be assembled in two positions depending on the holes used. Installing them to the higher position places the table at regulation height. The lower position makes it easier for children to enjoy the game.
4. Using two people set the table upright and wipe it off with a damp cloth.

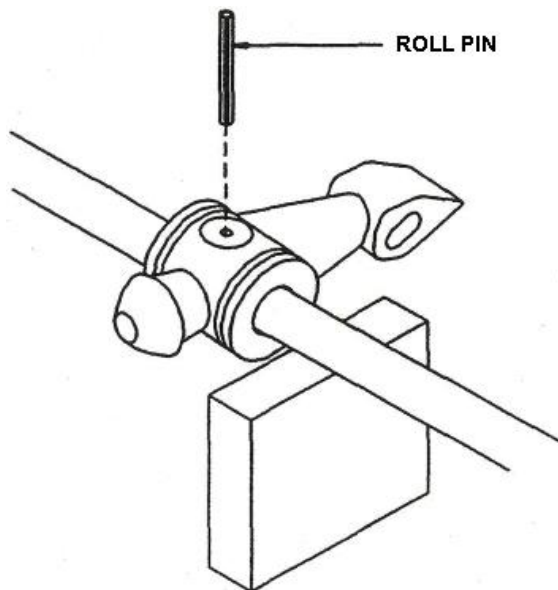


5. Thread the appropriate rods through the corresponding bearing hole (be careful, there are four 3-holed rods and the two shortest of these four rods are the goalie rods). Thread the rod through one side of the cabinet and wipe a thin coating of silicone on the rod using a cloth or paper towel. Thread one black rubber bumper onto the rod (make sure that the side of the bumper with the holes always faces the cabinet wall).
6. Thread the appropriate number of men onto each rod (smiling face of black men facing yellow goal and smiling face of yellow men facing black goal), followed by another rubber bumper on the far end. Slide the end of the rod into the bearing hole in the opposite cabinet wall.

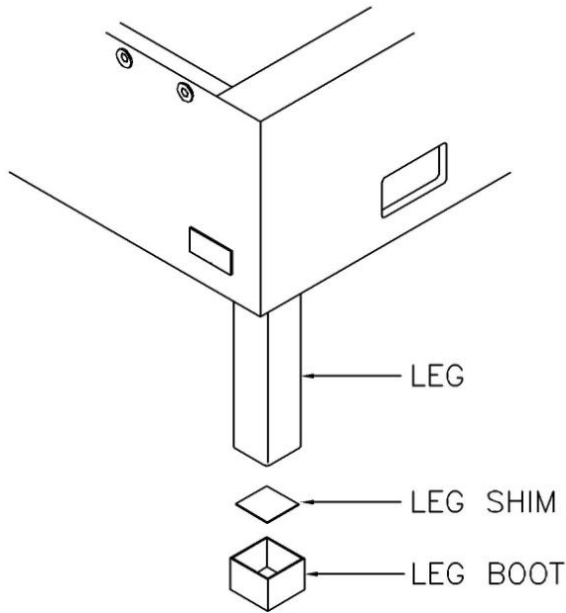




7. To secure the men, align the holes in each man with the holes in the rod. Using the rod support block under the rod near the man, place the roll pin in the man hole (slot in the roll pin down toward the foot) and tap it through the man with a hammer, until it is flush on both sides



8. To remove the men, place the pointed end of the included roll pin punch into the roll pin and drive it out. The roll pins are reusable.



9. Mount the score assemblies at each end of the table.

10. Level the table by inserting the included shims into the leg where required.

11. Lubricate the game at least once a month. In order to lubricate, first wipe each rod with a clean dry cloth. Second, pull the handle end of each rod out towards you and apply one drop of silicone to the top of the rod, approximately one inch from the outside of the game. Continuously spin the rod while pushing it in and pulling it out of the game. Finally, remove any excess silicone with a clean soft cloth.

VISIT WWW.VALLEY-DYNAMOPARTS.COM FOR WARRANTY REGISTRATION AND REPLACEMENT PARTS ORDERS. ENJOY YOUR NEW *TORNADO* SPORT TABLE.

