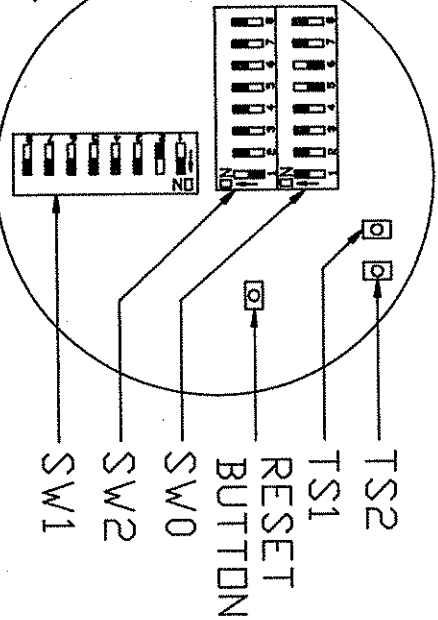
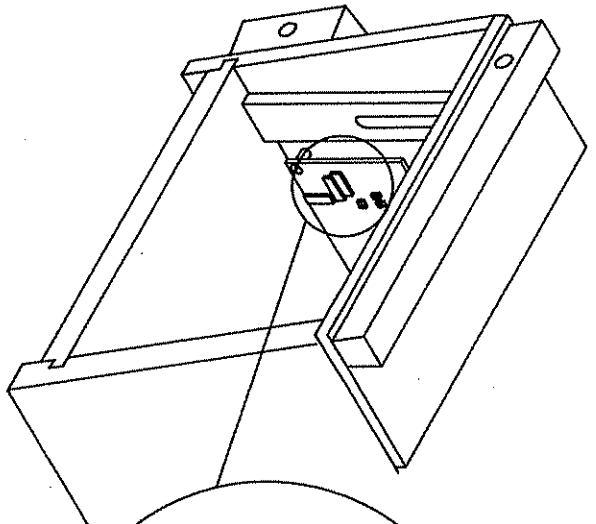


## DIP-SWITCH SW0

PLAYING TIME PER CREDIT	TRAP CLOSURE	TIME PLAY
* 5 MINUTES   <input type="checkbox"/> 1   <input type="checkbox"/> 2   <input type="checkbox"/> 3   <input type="checkbox"/> 4   <input type="checkbox"/> 5   <input type="checkbox"/> 6   <input type="checkbox"/> 7   <input type="checkbox"/> 8	<input type="checkbox"/> 0 MINUTES	<input type="checkbox"/> 0 MINUTES
6 MINUTES   <input type="checkbox"/> 1   <input type="checkbox"/> 2   <input type="checkbox"/> 3   <input type="checkbox"/> 4   <input type="checkbox"/> 5   <input type="checkbox"/> 6   <input type="checkbox"/> 7   <input type="checkbox"/> 8	<input type="checkbox"/> 1 MINUTE *	<input type="checkbox"/> 1 MINUTE
7 MINUTES   <input type="checkbox"/> 1   <input type="checkbox"/> 2   <input type="checkbox"/> 3   <input type="checkbox"/> 4   <input type="checkbox"/> 5   <input type="checkbox"/> 6   <input type="checkbox"/> 7   <input type="checkbox"/> 8	<input type="checkbox"/> 2 MINUTES	<input type="checkbox"/> 2 MINUTES
8 MINUTES   <input type="checkbox"/> 1   <input type="checkbox"/> 2   <input type="checkbox"/> 3   <input type="checkbox"/> 4   <input type="checkbox"/> 5   <input type="checkbox"/> 6   <input type="checkbox"/> 7   <input type="checkbox"/> 8	<input type="checkbox"/> 3 MINUTES	<input type="checkbox"/> 3 MINUTES
9 MINUTES   <input type="checkbox"/> 1   <input type="checkbox"/> 2   <input type="checkbox"/> 3   <input type="checkbox"/> 4   <input type="checkbox"/> 5   <input type="checkbox"/> 6   <input type="checkbox"/> 7   <input type="checkbox"/> 8	<input type="checkbox"/> 4 MINUTES	<input type="checkbox"/> 4 MINUTES
10 MINUTES   <input type="checkbox"/> 1   <input type="checkbox"/> 2   <input type="checkbox"/> 3   <input type="checkbox"/> 4   <input type="checkbox"/> 5   <input type="checkbox"/> 6   <input type="checkbox"/> 7   <input type="checkbox"/> 8	<input type="checkbox"/> 5 MINUTES	<input type="checkbox"/> 5 MINUTES
11 MINUTES   <input type="checkbox"/> 1   <input type="checkbox"/> 2   <input type="checkbox"/> 3   <input type="checkbox"/> 4   <input type="checkbox"/> 5   <input type="checkbox"/> 6   <input type="checkbox"/> 7   <input type="checkbox"/> 8	<input type="checkbox"/> 6 MINUTES	<input type="checkbox"/> 6 MINUTES
12 MINUTES   <input type="checkbox"/> 1   <input type="checkbox"/> 2   <input type="checkbox"/> 3   <input type="checkbox"/> 4   <input type="checkbox"/> 5   <input type="checkbox"/> 6   <input type="checkbox"/> 7   <input type="checkbox"/> 8	<input type="checkbox"/> 7 MINUTES	<input type="checkbox"/> 7 MINUTES
13 MINUTES   <input type="checkbox"/> 1   <input type="checkbox"/> 2   <input type="checkbox"/> 3   <input type="checkbox"/> 4   <input type="checkbox"/> 5   <input type="checkbox"/> 6   <input type="checkbox"/> 7   <input type="checkbox"/> 8	CLOCK FORMAT	
14 MINUTES   <input type="checkbox"/> 1   <input type="checkbox"/> 2   <input type="checkbox"/> 3   <input type="checkbox"/> 4   <input type="checkbox"/> 5   <input type="checkbox"/> 6   <input type="checkbox"/> 7   <input type="checkbox"/> 8	<input type="checkbox"/> 24 HOUR FORMAT	
15 MINUTES   <input type="checkbox"/> 1   <input type="checkbox"/> 2   <input type="checkbox"/> 3   <input type="checkbox"/> 4   <input type="checkbox"/> 5   <input type="checkbox"/> 6   <input type="checkbox"/> 7   <input type="checkbox"/> 8	<input type="checkbox"/> 12 HOUR FORMAT *	
16 MINUTES   <input type="checkbox"/> 1   <input type="checkbox"/> 2   <input type="checkbox"/> 3   <input type="checkbox"/> 4   <input type="checkbox"/> 5   <input type="checkbox"/> 6   <input type="checkbox"/> 7   <input type="checkbox"/> 8		
17 MINUTES   <input type="checkbox"/> 1   <input type="checkbox"/> 2   <input type="checkbox"/> 3   <input type="checkbox"/> 4   <input type="checkbox"/> 5   <input type="checkbox"/> 6   <input type="checkbox"/> 7   <input type="checkbox"/> 8		
18 MINUTES   <input type="checkbox"/> 1   <input type="checkbox"/> 2   <input type="checkbox"/> 3   <input type="checkbox"/> 4   <input type="checkbox"/> 5   <input type="checkbox"/> 6   <input type="checkbox"/> 7   <input type="checkbox"/> 8		
19 MINUTES   <input type="checkbox"/> 1   <input type="checkbox"/> 2   <input type="checkbox"/> 3   <input type="checkbox"/> 4   <input type="checkbox"/> 5   <input type="checkbox"/> 6   <input type="checkbox"/> 7   <input type="checkbox"/> 8		
20 MINUTES   <input type="checkbox"/> 1   <input type="checkbox"/> 2   <input type="checkbox"/> 3   <input type="checkbox"/> 4   <input type="checkbox"/> 5   <input type="checkbox"/> 6   <input type="checkbox"/> 7   <input type="checkbox"/> 8		

## DIP-SWITCH SETTINGS



## DIP-SWITCH SW2

AMOUNT PER CREDIT	DISCOUNT
\$1.50   <input type="checkbox"/> 1   <input type="checkbox"/> 2   <input type="checkbox"/> 3   <input type="checkbox"/> 4   <input type="checkbox"/> 5   <input type="checkbox"/> 6   <input type="checkbox"/> 7   <input type="checkbox"/> 8	\$2.25 *
* \$1.00   <input type="checkbox"/> 1   <input type="checkbox"/> 2   <input type="checkbox"/> 3   <input type="checkbox"/> 4   <input type="checkbox"/> 5   <input type="checkbox"/> 6   <input type="checkbox"/> 7   <input type="checkbox"/> 8	\$1.75
\$1.25   <input type="checkbox"/> 1   <input type="checkbox"/> 2   <input type="checkbox"/> 3   <input type="checkbox"/> 4   <input type="checkbox"/> 5   <input type="checkbox"/> 6   <input type="checkbox"/> 7   <input type="checkbox"/> 8	\$1.50
* \$1.00   <input type="checkbox"/> 1   <input type="checkbox"/> 2   <input type="checkbox"/> 3   <input type="checkbox"/> 4   <input type="checkbox"/> 5   <input type="checkbox"/> 6   <input type="checkbox"/> 7   <input type="checkbox"/> 8	\$1.25
\$1.25   <input type="checkbox"/> 1   <input type="checkbox"/> 2   <input type="checkbox"/> 3   <input type="checkbox"/> 4   <input type="checkbox"/> 5   <input type="checkbox"/> 6   <input type="checkbox"/> 7   <input type="checkbox"/> 8	\$1.00
* \$1.00   <input type="checkbox"/> 1   <input type="checkbox"/> 2   <input type="checkbox"/> 3   <input type="checkbox"/> 4   <input type="checkbox"/> 5   <input type="checkbox"/> 6   <input type="checkbox"/> 7   <input type="checkbox"/> 8	\$0.75
\$1.25   <input type="checkbox"/> 1   <input type="checkbox"/> 2   <input type="checkbox"/> 3   <input type="checkbox"/> 4   <input type="checkbox"/> 5   <input type="checkbox"/> 6   <input type="checkbox"/> 7   <input type="checkbox"/> 8	\$1.00
* \$0.75   <input type="checkbox"/> 1   <input type="checkbox"/> 2   <input type="checkbox"/> 3   <input type="checkbox"/> 4   <input type="checkbox"/> 5   <input type="checkbox"/> 6   <input type="checkbox"/> 7   <input type="checkbox"/> 8	\$0.50
\$1.00   <input type="checkbox"/> 1   <input type="checkbox"/> 2   <input type="checkbox"/> 3   <input type="checkbox"/> 4   <input type="checkbox"/> 5   <input type="checkbox"/> 6   <input type="checkbox"/> 7   <input type="checkbox"/> 8	\$0.75 *
* \$0.50   <input type="checkbox"/> 1   <input type="checkbox"/> 2   <input type="checkbox"/> 3   <input type="checkbox"/> 4   <input type="checkbox"/> 5   <input type="checkbox"/> 6   <input type="checkbox"/> 7   <input type="checkbox"/> 8	\$0.25

## DIP-SWITCH SW1

BALL DROP TIME	SLEEP MODE
10 SECONDS   <input type="checkbox"/> 1   <input type="checkbox"/> 2   <input type="checkbox"/> 3   <input type="checkbox"/> 4   <input type="checkbox"/> 5   <input type="checkbox"/> 6   <input type="checkbox"/> 7   <input type="checkbox"/> 8	<input type="checkbox"/> SLEEP MODE
* 15 SECONDS   <input type="checkbox"/> 1   <input type="checkbox"/> 2   <input type="checkbox"/> 3   <input type="checkbox"/> 4   <input type="checkbox"/> 5   <input type="checkbox"/> 6   <input type="checkbox"/> 7   <input type="checkbox"/> 8	<input type="checkbox"/> DISPLAY WILL POWER DOWN *
20 SECONDS   <input type="checkbox"/> 1   <input type="checkbox"/> 2   <input type="checkbox"/> 3   <input type="checkbox"/> 4   <input type="checkbox"/> 5   <input type="checkbox"/> 6   <input type="checkbox"/> 7   <input type="checkbox"/> 8	<input type="checkbox"/> DISPLAY ON 100% OF TIME
25 SECONDS   <input type="checkbox"/> 1   <input type="checkbox"/> 2   <input type="checkbox"/> 3   <input type="checkbox"/> 4   <input type="checkbox"/> 5   <input type="checkbox"/> 6   <input type="checkbox"/> 7   <input type="checkbox"/> 8	DISCOUNT RATES
RACK TIME PLAY	<input type="checkbox"/> DISPLAY DISCOUNT RATES 100% OF TIME
* RACK OR TIME PLAY	<input type="checkbox"/> DISCOUNT RATES WILL POWER DOWN *
RACK PLAY ONLY	BONUS PLAY
TIME PLAY ONLY	<input type="checkbox"/> NO BONUS PLAY *
	<input type="checkbox"/> BONUS PLAY \$5,\$10,\$15,\$20

\*

### CREDIT MULTIPLIER

* 1 CREDIT   <input type="checkbox"/> 1   <input type="checkbox"/> 2   <input type="checkbox"/> 3   <input type="checkbox"/> 4
2 CREDITS   <input type="checkbox"/> 1   <input type="checkbox"/> 2   <input type="checkbox"/> 3   <input type="checkbox"/> 4
3 CREDITS   <input type="checkbox"/> 1   <input type="checkbox"/> 2   <input type="checkbox"/> 3   <input type="checkbox"/> 4
4 CREDITS   <input type="checkbox"/> 1   <input type="checkbox"/> 2   <input type="checkbox"/> 3   <input type="checkbox"/> 4

\* FACTORY SETTINGS

\* WHEN EXTERNAL POWER SUPPLY IS BROUGHT TO TABLE, DISPLAY SHOULD BE ON 100% OF THE TIME.