

# THE VALLEY COMPANY

Subsidiary of Kidde, Inc.

**KIDDE**

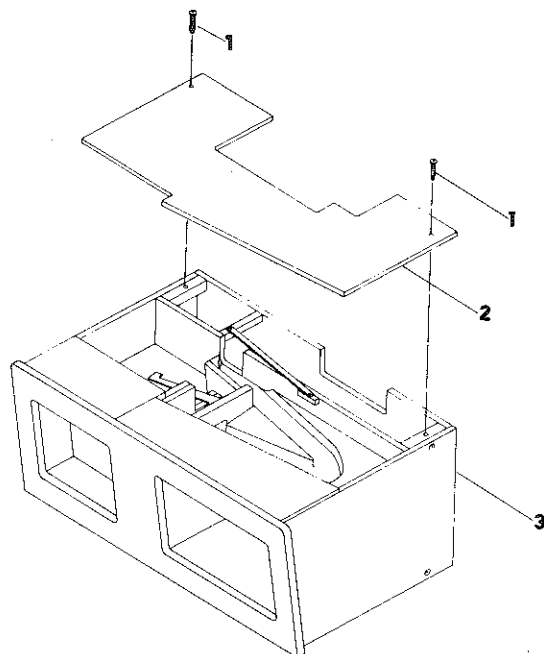
333 MORTON STREET  
P.O. BOX 656  
BAY CITY, MICHIGAN 48707  
(517) 892-4536

## LYNX SERVICE DRAWER

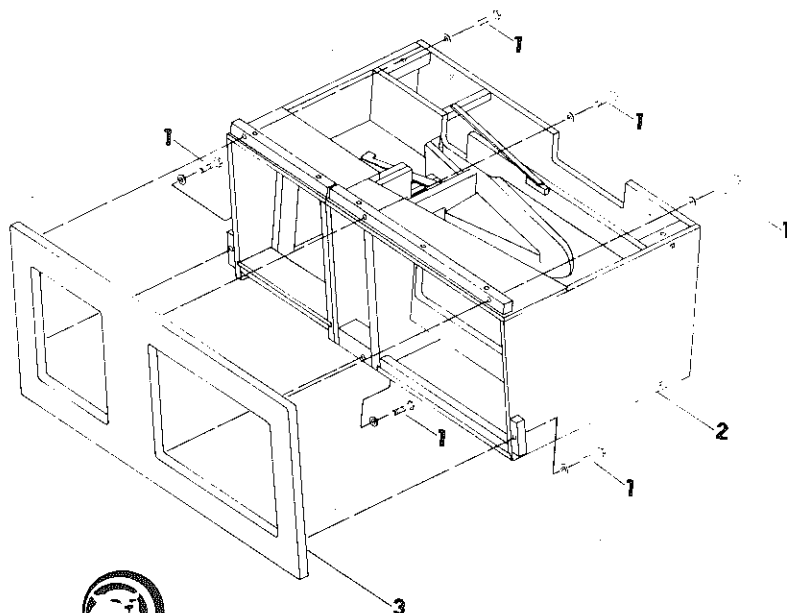
### PART ONE: DRAWER DISASSEMBLY INSTRUCTIONS

The Valley Lynx Pool Table service drawer has been designed to be easily disassembled in order to allow the repair or replacement of damaged parts. The following steps should be followed to disassemble the drawer.

STEP #1: Remove the two screws (#1) and lift the drawer cover (#2) from the drawer assembly (#3).



STEP #2: Remove the six bolts and washers (#1) and pull the drawer front (#3) away from the drawer assembly (#2).



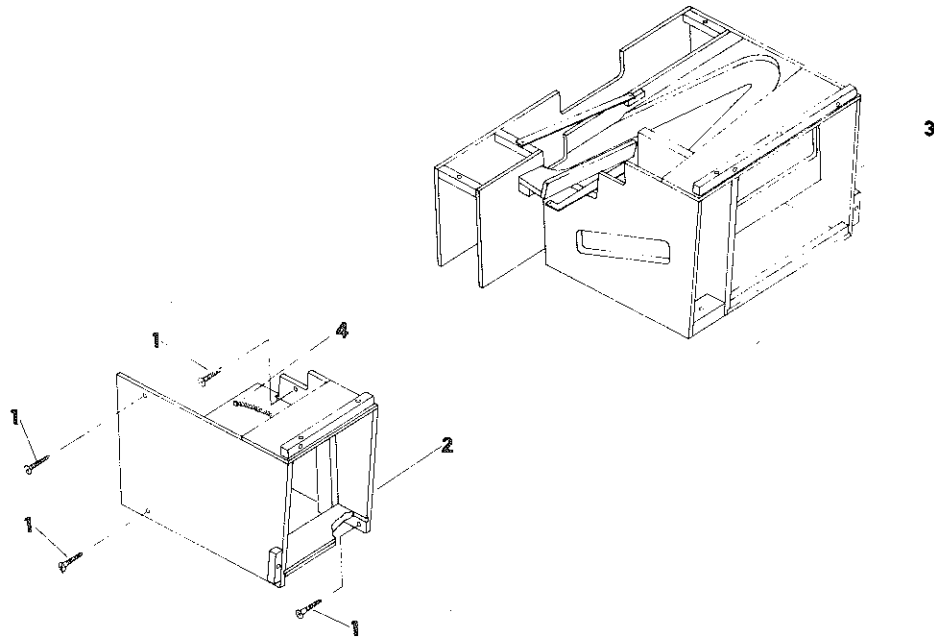
# THE VALLEY COMPANY

Subsidiary of Kidde, Inc.

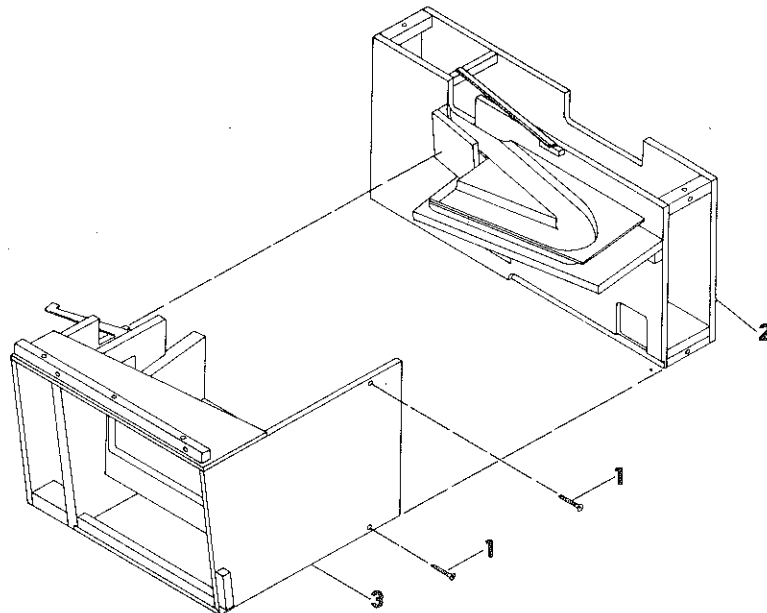
**KIDDE**

333 MORTON STREET  
P.O. BOX 656  
BAY CITY, MICHIGAN 48707  
(517) 892-4536

STEP #3: Remove the four wood screws (#1) from the push chute coin housing, unhook the cam arm return spring (#4) from the cam arm and remove the push-chute coin housing from the drawer assembly.



STEP #4: Remove the two wood screws (#1) from the ball view assembly and slide the separator trap assembly up and out from the ball view assembly.

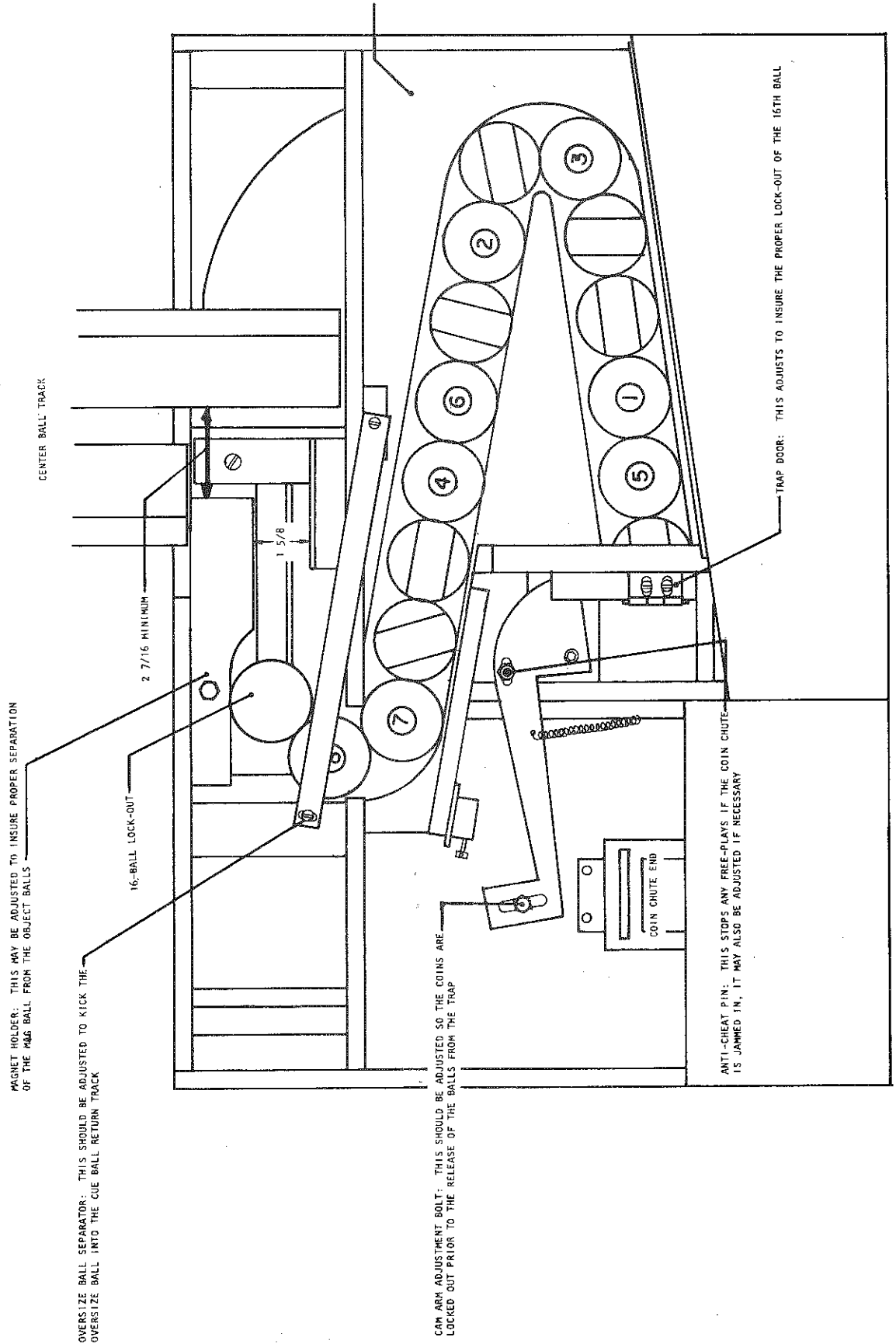


The service drawer is now separated into 3-basic assemblies, ready for repair or replacement with new assemblies available from Valley.

PART TWO: DRAWER ADJUSTMENTS  
LYNX DRAWER AT REST WAITING FOR PLAY:

**THE VALLEY COMPANY**  
Subsidiary of Kidde, Inc.  
**KIDDE**

333 MORTON STREET  
P.O. BOX 656  
BAY CITY, MICHIGAN 48707  
(517) 892-4536



MAGNET HOLDER: THIS MAY BE ADJUSTED TO INSURE PROPER SEPARATION OF THE MAG BALL FROM THE OBJECT BALLS

OVERSIZE BALL SEPARATOR: THIS SHOULD BE ADJUSTED TO KICK THE OVERSIZE BALL INTO THE CUE BALL RETURN TRACK

16-BALL LOCK-OUT

2 7/16 MINIMUM

CENTER BALL TRACK

PLASTIC BALL TRAP: THIS CAN BE EASILY REMOVED WITH THREE SCREWS

CAM ARM ADJUSTMENT BOLT: THIS SHOULD BE ADJUSTED SO THE COINS ARE LOCKED OUT PRIOR TO THE RELEASE OF THE BALLS FROM THE TRAP

ANTI-CHEAT PIN: THIS STOPS ANY FREE-PLAYS IF THE COIN CHUTE IS JAMMED IN, IT MAY ALSO BE ADJUSTED IF NECESSARY

TRAP DOOR: THIS ADJUSTS TO INSURE THE PROPER LOCK-OUT OF THE 16TH BALL

COIN CHUTE END

LYNX DRAWER IN OPERATION - THE COIN CHUTE IS PUSHED IN ACTIVATING THE DRAWER MECHANISMS.

# THE VALLEY COMPANY

Subsidiary of Kidde, Inc.  
**KIDDE**

333 MORTON STREET  
P.O. BOX 656  
BAY CITY, MICHIGAN 48707  
(517) 892-4536

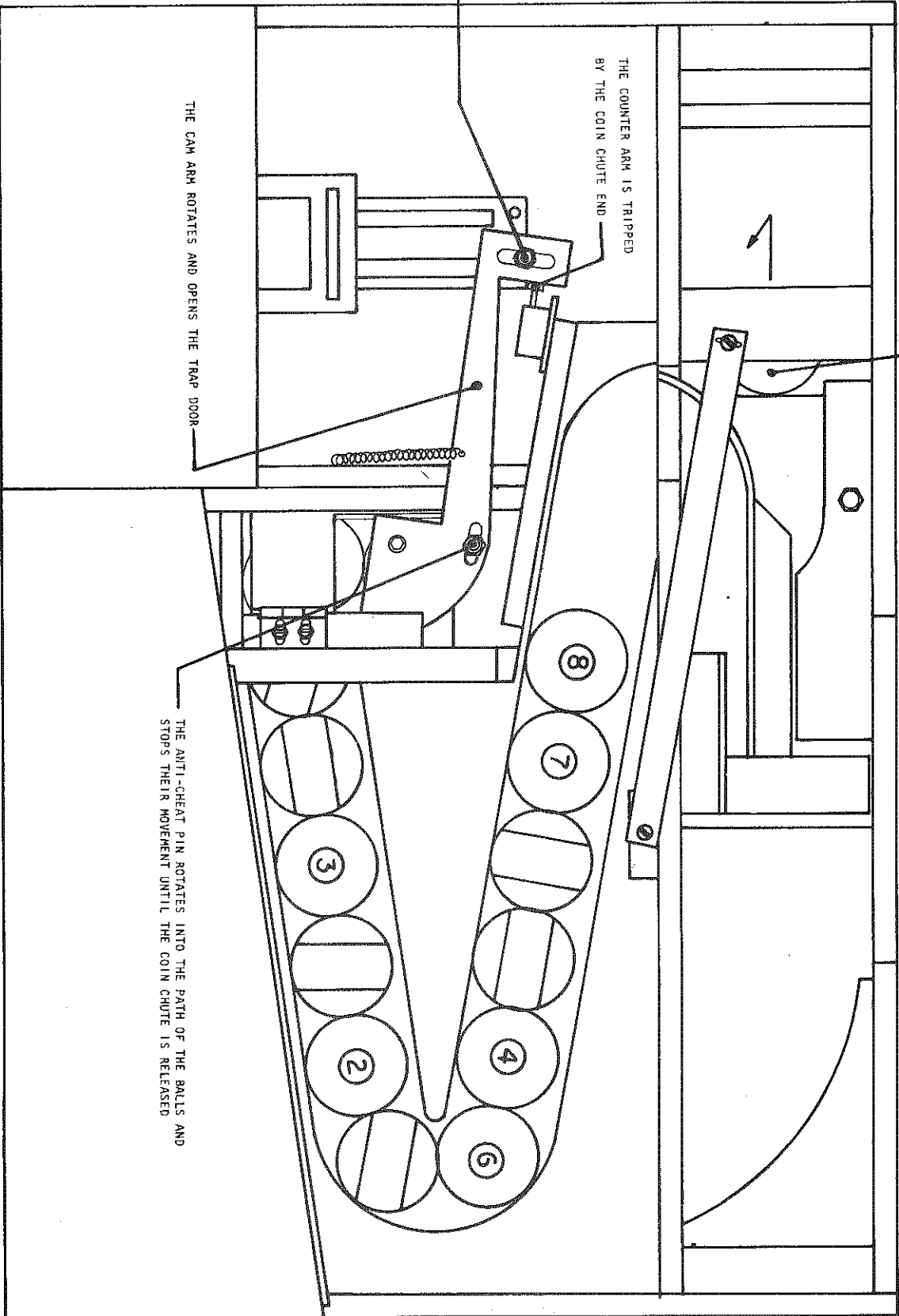
THE CUE BALL FALLS AND RETURNS TO THE BALL BOX

THE COUNTER ARM IS TRIPPED BY THE COIN CHUTE END

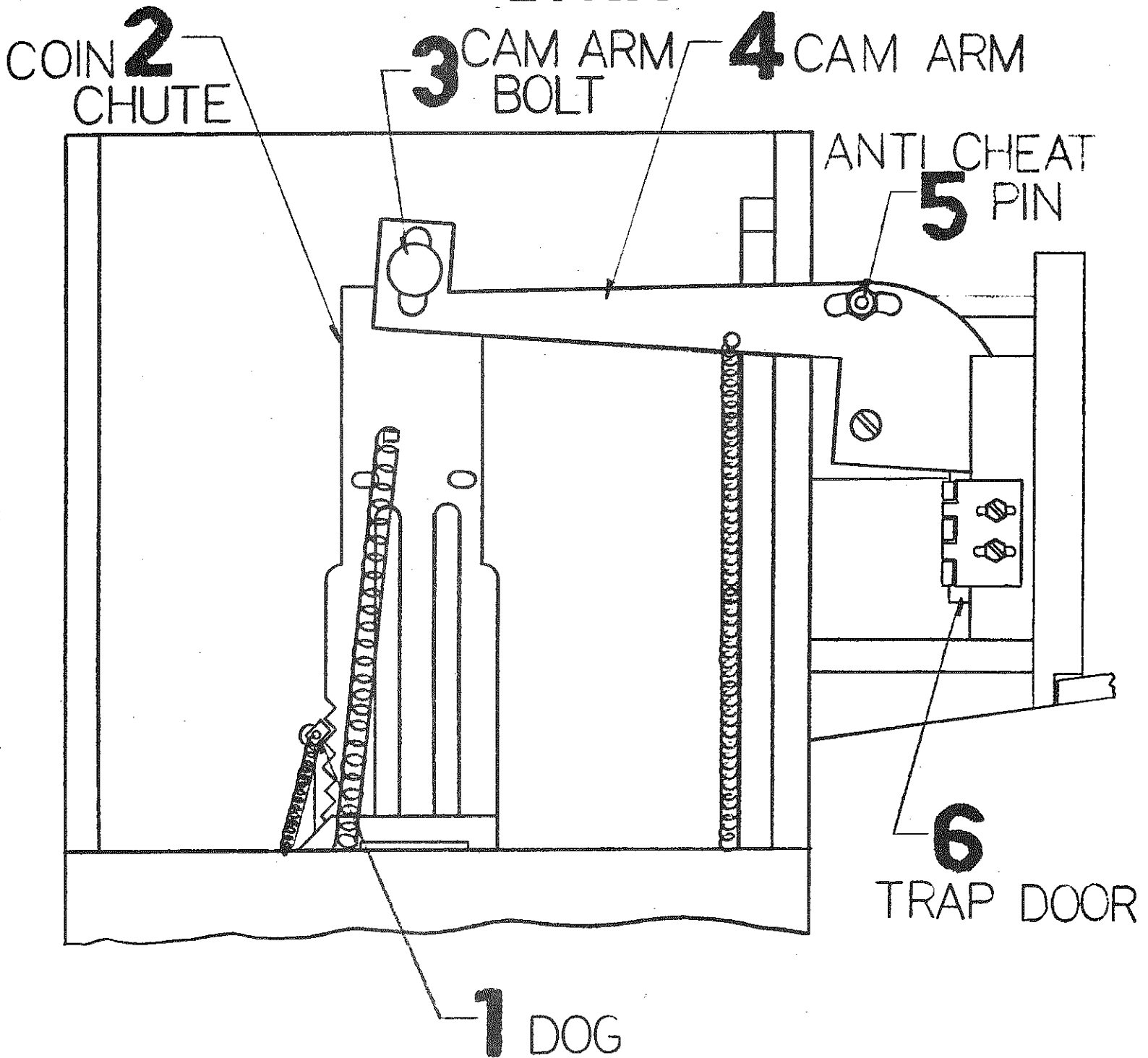
THE COIN CHUTE END PUSHES AGAINST THE CAM ARM ADJUSTMENT BOLT

THE CAM ARM ROTATES AND OPENS THE TRAP DOOR

THE ANTI-CHEAT PIN ROTATES INTO THE PATH OF THE BALLS AND STOPS THEIR MOVEMENT UNTIL THE COIN CHUTE IS RELEASED



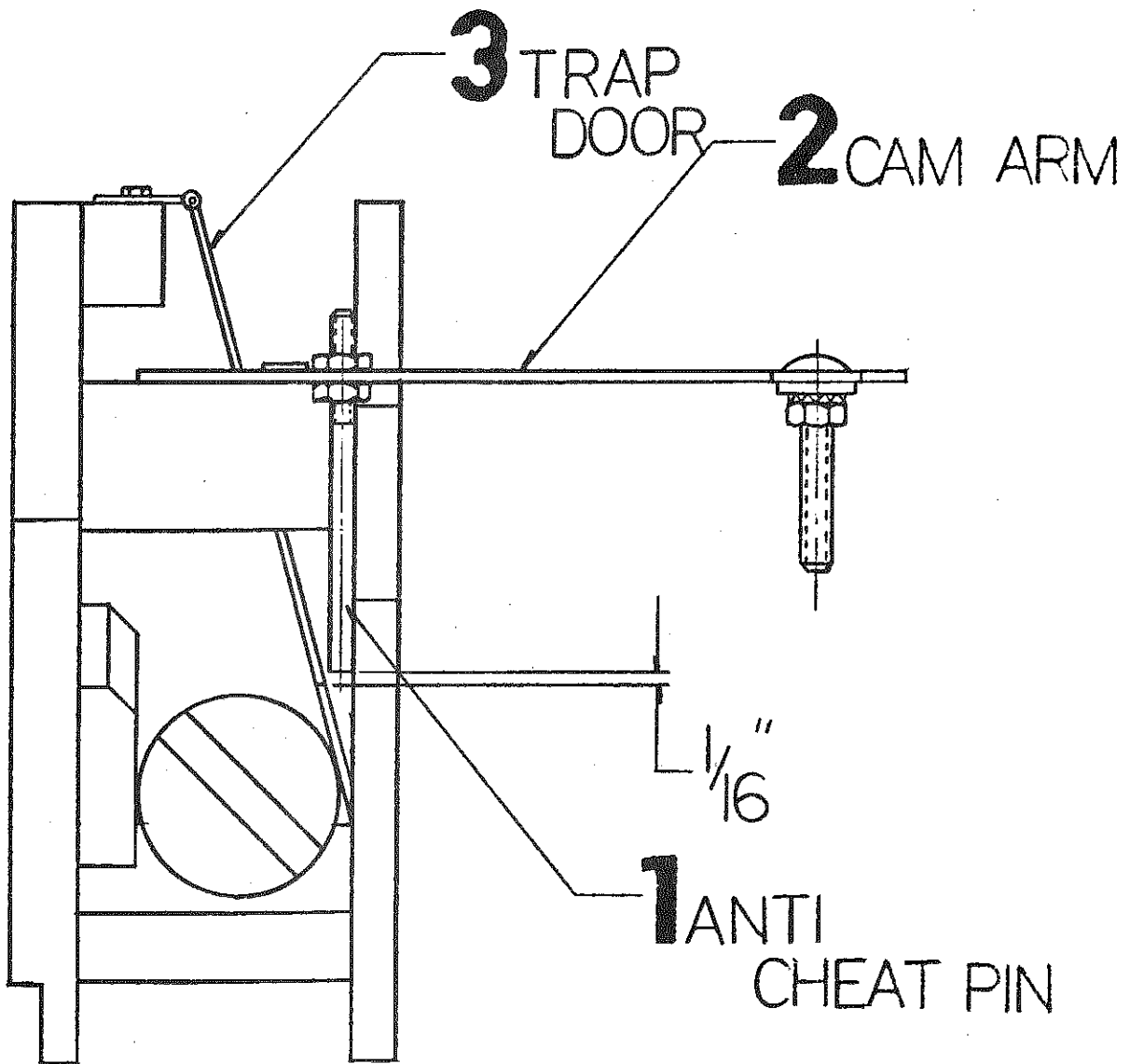
# LYNX



## A. Adjustments for the cam arm bolt.

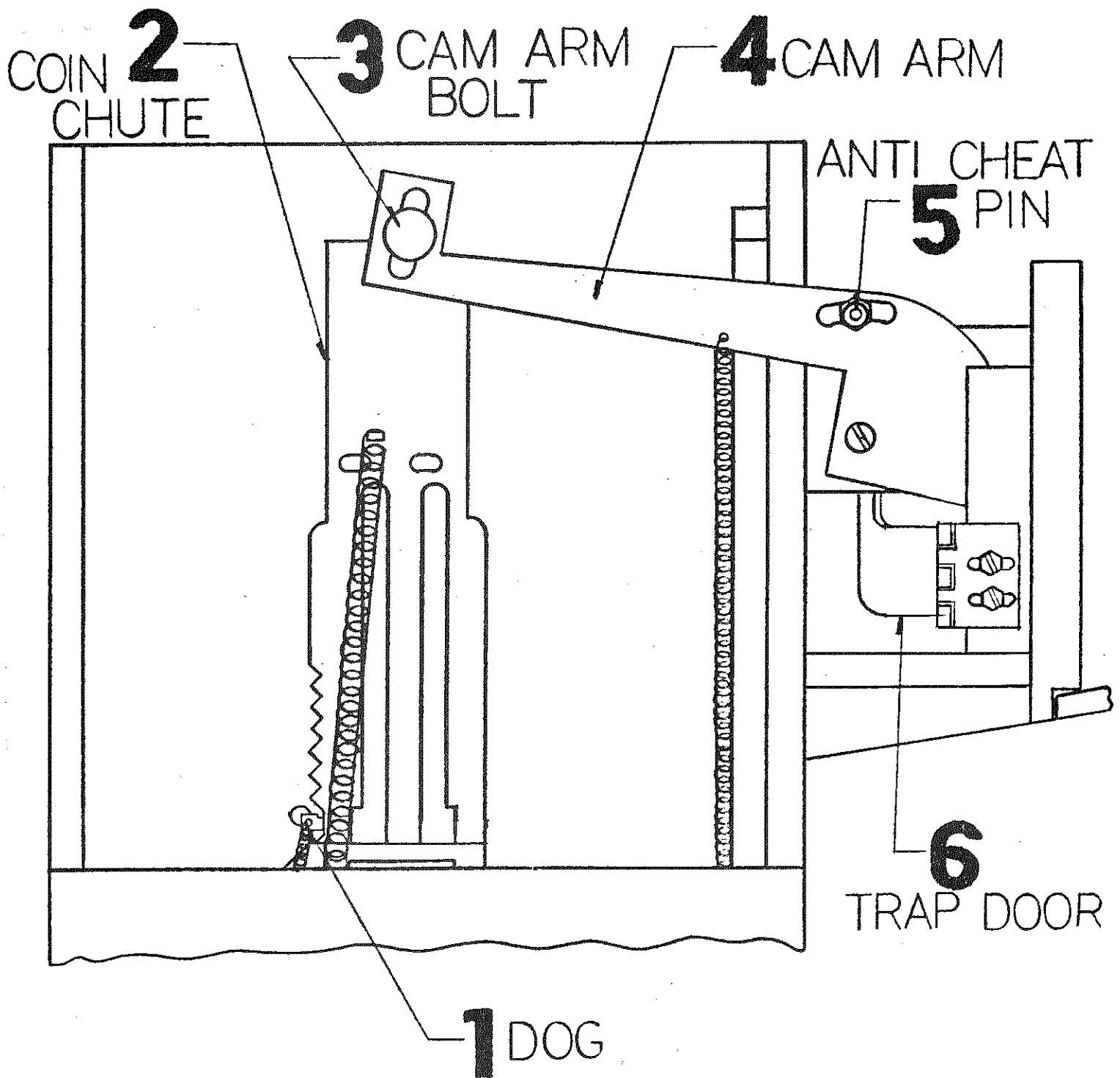
Insert money and slowly push the chute in until it locks into the second notch.

- At this point, the chute (2) should have pushed the cam arm (4) back until it just touches the trap door (6), but does not open it at all. If it does not touch or open the trap door, adjust the cam arm bolt, as necessary.



B. Anti cheat pin adjustment up and down.

Before attempting any adjustments of the anti cheat pin (1), open trap door (3) with your fingers, adjusting the pin up or down so you just clear the trap door in the open position. If you cannot tell for sure, then you can remove the screws on both sides of the drawer and pull out the back of the drawer. This exposes the above view.  $\frac{1}{16}$ " clearance would be fine.



C. Anti cheat pin adjustments - right to left

Push the coin chute (2) in slowly until you pass the last notch on the slide. Continue pushing the coin chute all the way in and hold it there. The cam arm (4) should now have opened the trap door (6) allowing the ball to fall. At this point, the anti cheat pin (5) should not allow the balls to pass thru. If all the balls are not stopped by the anti cheat pin (5), then you need to adjust it to the right, as necessary.

Now, start releasing the coin chute until the balls are allowed to pass the anti cheat pin. The trap should now be closed. If not, adjust the pin to the right, as necessary.