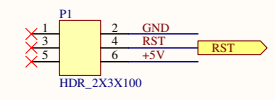
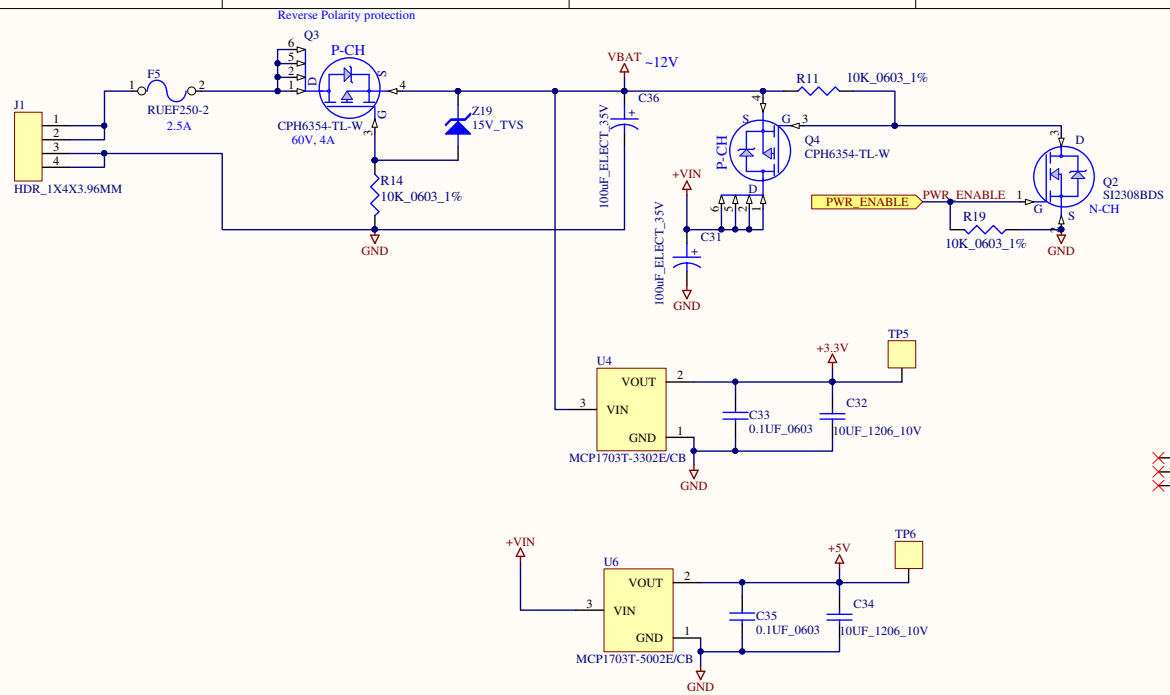


CHECK ALL PINOUTS FOR PIN 1 CORRECT

OFF BOARD SW4

Title <b>Valley Dynamo: Pool - Processor</b>			RCAL Products, Inc.	
Size: B	Number:	Revision:	#2 Bitworks Way Prairie Grove, AR 72753	
Date: 1/11/2019	Time: 10:48:44 AM	Sheet 1 of 2	RCAL PRODUCTS, INC.	
File: P:\Valley-Dynamo\Pool Table V11\Board_RCAL Version\RevA\SCH\Processor.Sch			Engineer:	



Title <b>Valley Dynamo: Pool - Power</b>			RCAL Products, Inc.
Size: B	Number:	Revision:	#2 Bitworks Way Prairie Grove, AR 72753
Date: 1/11/2019	Time: 10:48:45 AM	Sheet 2 of 2	
File: P:\Valley-Dynamo\Pool Table V11\Board_RCAL Version\RevA\SCH\Power.SchDoc			Engineer:

