



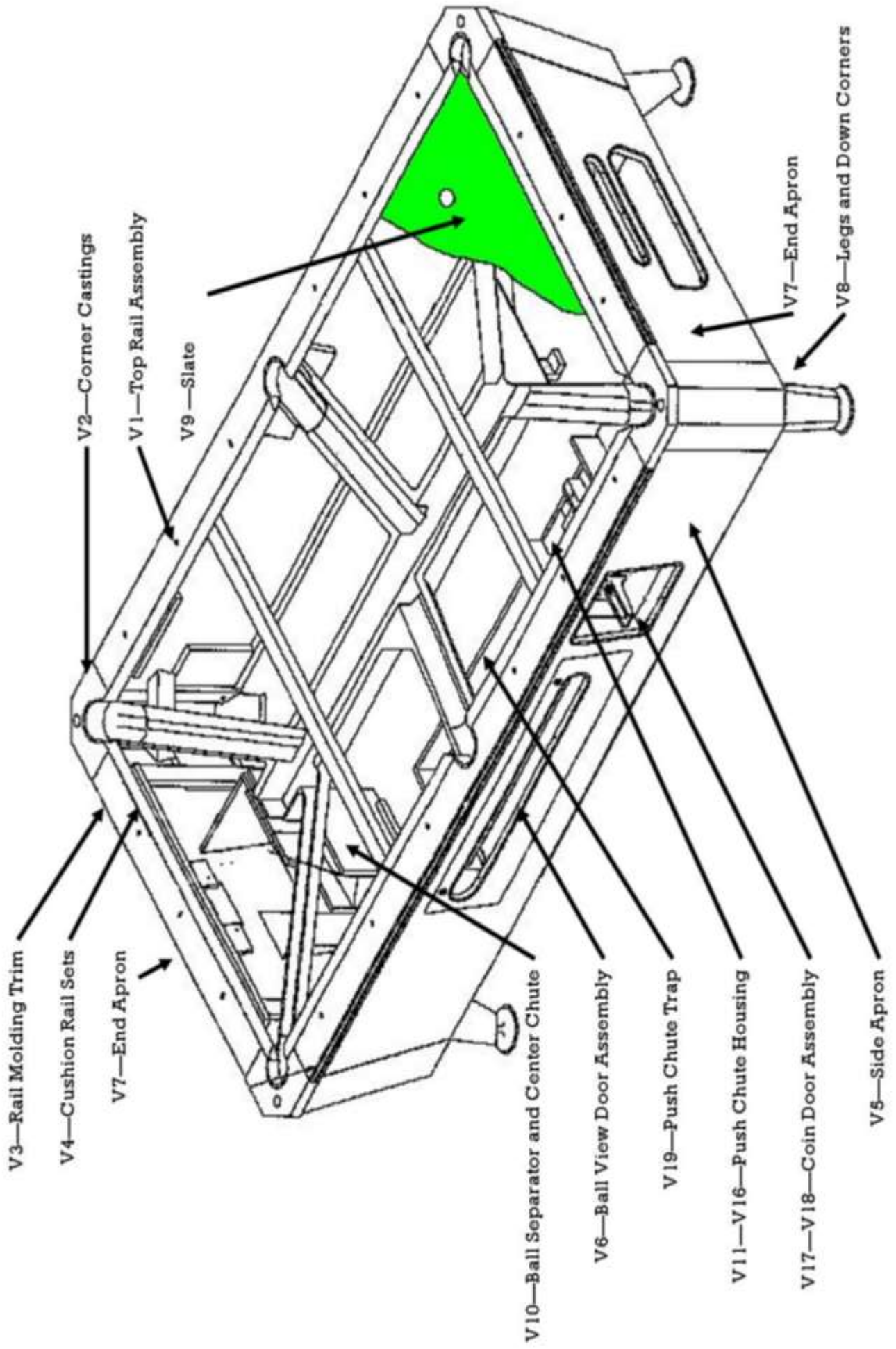
POOL CATALOG AND PARTS BREAKDOWN
 ONLINE VERSION
 EFFECTIVE: 1-JULY-2010
 SERVICE PARTS AND ACCESSORIES

Order parts through authorized distributors or from
www.valley-dynamoparts.com

This table can help determine the model number, size, color and approximate age of the Valley table
 (this is only a model number list, parts are not available for all models):

		size of table					finish
		101"	93"	88"	85"	78"	
Model number	Cougar 2006-now	CPA-CH-xxx	CPB-CH-xxx	CPC-CH-xxx			Billmore Cherry (CH)
	ZD8 2002-2006	CPA-JM-xxx	CPB-JM-xxx	CPC-JM-xxx			Jewel Mahogany (JM)
	ZD7 1997-2001	CPA-BS-xxx	CPB-BS-xxx	CPC-BS-xxx			Taj Teak (BS)
	ZD6 1994-1996	CPA-SA-xxx	CPB-SA-xxx	CPC-SA-xxx	CPD-SA-xxx		Summit Ash (SA - Discontinued)
	ZD5 1991-1993	CPA-SM-xxx	CPB-SM-xxx	CPC-SM-xxx	CPD-SM-xxx		Sable Maple (SM or SN - Discontinued)
	ZD4 1986-1990	CPA-DZ-xxx	CPB-DZ-xxx	CPC-DZ-xxx	CPD-DZ-xxx		Classic Mahogany (DY - Discontinued)
	Many parts for Valley models prior to the ZD-4 are discontinued, check with your Distributor						
	1982-1985	42	32	22	14	12	Cheyenne Leather (DR - Discontinued)
	1979-1981	49	39	29		19	Birdseye Maple (DH - Discontinued)
	1977-1978	47	37	27		17	Makoru (DE - Discontinued)
	1975-1977	45	35	25		15	Pecan (Discontinued)
	1973-1975	43	33	23		13	White/Walnut (Discontinued)
1969-1972	510019	510939	510889		510789	Walnut (Discontinued)	
Tables built prior to 1969 differ significantly from current models, no currently available parts fit these tables other than pocket liners (in some cases)							
1967-1969	1017M	193815	188815		178815	Rosewood (Discontinued)	
1966-1967	1017	1937	1877		1787	VARIOUS	
1965-1966		1935	1875		1785	VARIOUS	
1964-1965		935A	875A		785A	VARIOUS	
Sizes of pre-1964 tables do not match current size categories							

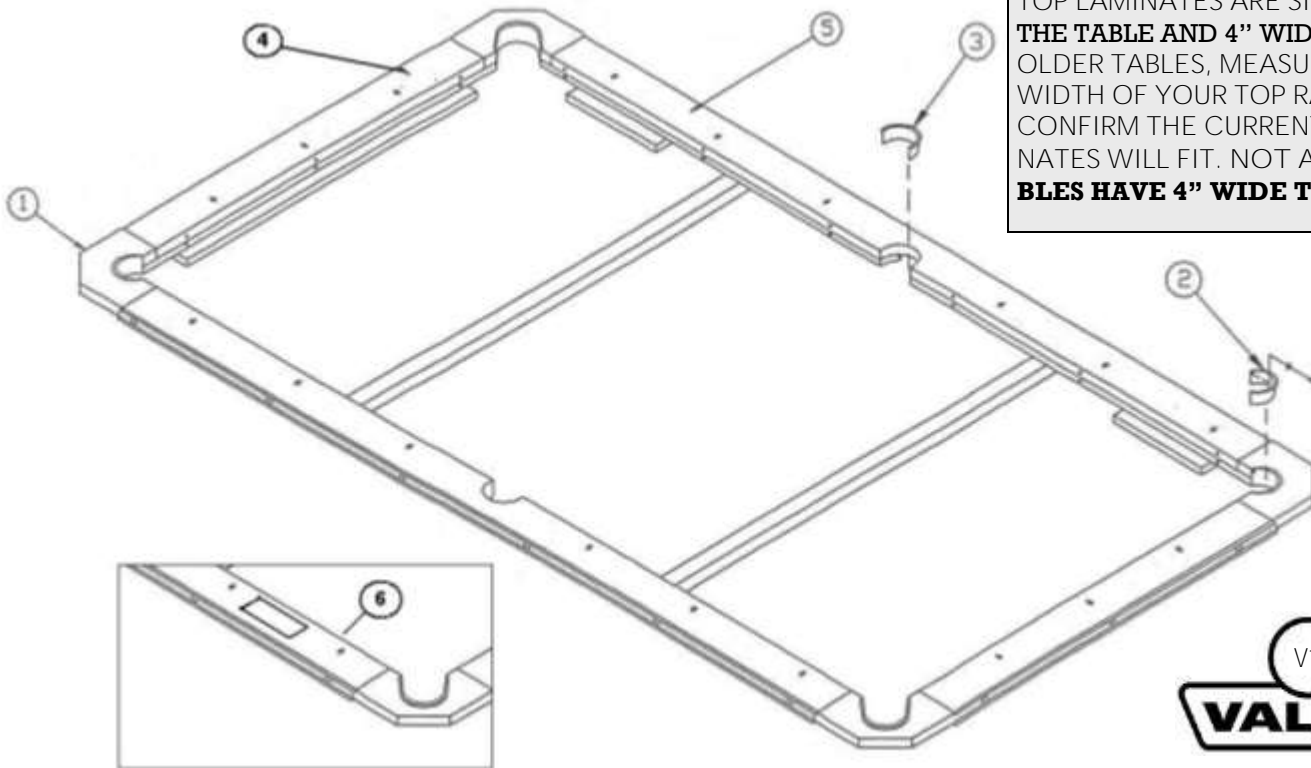
POOL PARTS BREAKDOWN TABLE OF CONTENTS



TOP RAIL ASSEMBLY

REF.	Part number	description	old part number
1	CPYOOTRA30301	CORNER CASTING ASSEMBLY	PCPYOOTRA30301
1	DISCONTINUED	BLACK CORNER CASTING ASSY	PBBYBQTRA30301
	870007405	CORNER CASTING BOLT 3/8-16 x 5/8	20200370
	20400410	FENDER WASHER 25/64 X 1 1/2"	
2	20700021	CORNER POCKET LINER	
	20700022	CORNER POCKET LINER - PUNCHED	
3	20700011	CENTER POCKET LINER	
2 AND 3	20700031	POCKET LINER SET	
2 AND 3	20700032	POCKET LINER SET - PUNCHED	
STANDARD POCKET LINERS FOR ZD-5 AND AFTER ARE PUNCHED			
	20201091	POCKET LINER SCREW 10-32 x 1/2"	
	20400780	POCKET LINER WASHER	

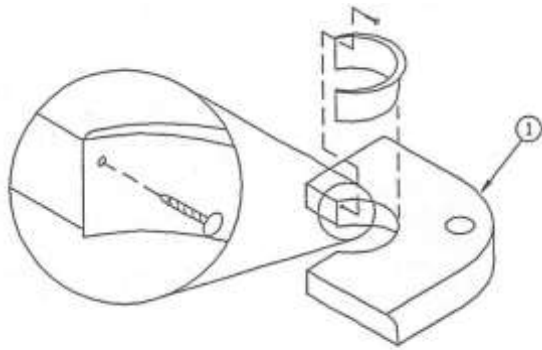
REF	description	part number -88"	part number -93"	part number - 101"
4	TOP RAIL END LAMINATE - TAJ TEAK	21305450	DISCONTINUED	21305390
4	TOP RAIL END LAMINATE - JEWEL MAHOGANY	21305650	21304080	21305630
4	TOP RAIL END LAMINATE - BILTMORE CHERRY	21305651	21304081	21305631
4	TOP RAIL END LAMINATE—GRAPHITE	21306081	DISCONTINUED	21306061
4	TOP RAIL END LAMINATE - CHARCOAL CHROMATIC	21306080	21306040	21306060
CHARCOAL CHROMATIC REPLACES GRAPHITE- THEY ARE CLOSE, BUT FROM DIFFERENT SUPPLIERS AND NOT IDENTICAL				
5	TOP RAIL SIDE LAMINATE - TAJ TEAK	21305440	DISCONTINUED	DISCONTINUED
5	TOP RAIL SIDE LAMINATE - JEWEL MAHOGANY	21305640	21304070	21305620
5	TOP RAIL SIDE LAMINATE - BILTMORE CHERRY	21305641	21304071	21305621
5	TOP RAIL SIDE LAMINATE - GRAPHITE	21306091	DISCONTINUED	21306071
5	TOP RAIL SIDE LAMINATE - CHARCOAL CHROMATIC	21306090	21306030	21306070
4 & 5	ALL LAMINATE - SABLE MAPLE	DISCONTINUED 2002		
4 & 5	ALL LAMINATE - SUMMIT ASH	DISCONTINUED 2002		
6	TOP RAIL SIDE LAMINATE W/LCD CUTOUT - JEWEL MAHOGANY	21305645	21304076	21305625
6	TOP RAIL SIDE LAMINATE W/LCD CUTOUT - CHARCOAL CHROMATIC	21306096	21306036	21306076



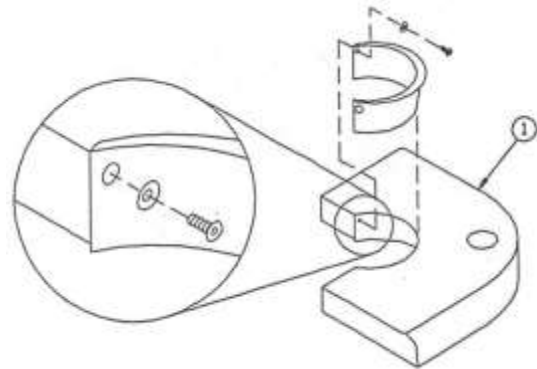
TOP LAMINATES ARE SIZED FOR THE TABLE AND 4" WIDE. FOR OLDER TABLES, MEASURE THE WIDTH OF YOUR TOP RAILS TO CONFIRM THE CURRENT LAMINATES WILL FIT. NOT ALL TABLES HAVE 4" WIDE TOP RAILS



CORNER CASTING ASSEMBLIES

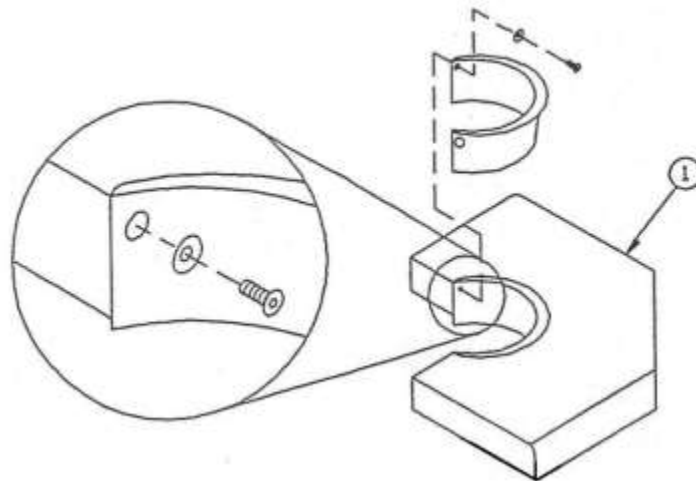


OLD STYLE—BEFORE SER# S15595



LATER STYLE—AFTER SER# S15594

REF.	Part number	description	
1	DISCONTINUED	CORNER CASTING ASSEMBLY (ROUND)	
	20700022	CORNER POCKET LINER - PUNCHED	
	20201091	POCKET LINER SCREW	
	20400780	POCKET LINER WASHER	
CORNER CASTINGS ON OLDER TABLES HAVE POCKET LINERS ATTACHED WITH NAILS			
	20700021	CORNER POCKET LINER - UNPUNCHED	
	DISCONTINUED	POCKET LINER NAIL - #6 x 3/4"	

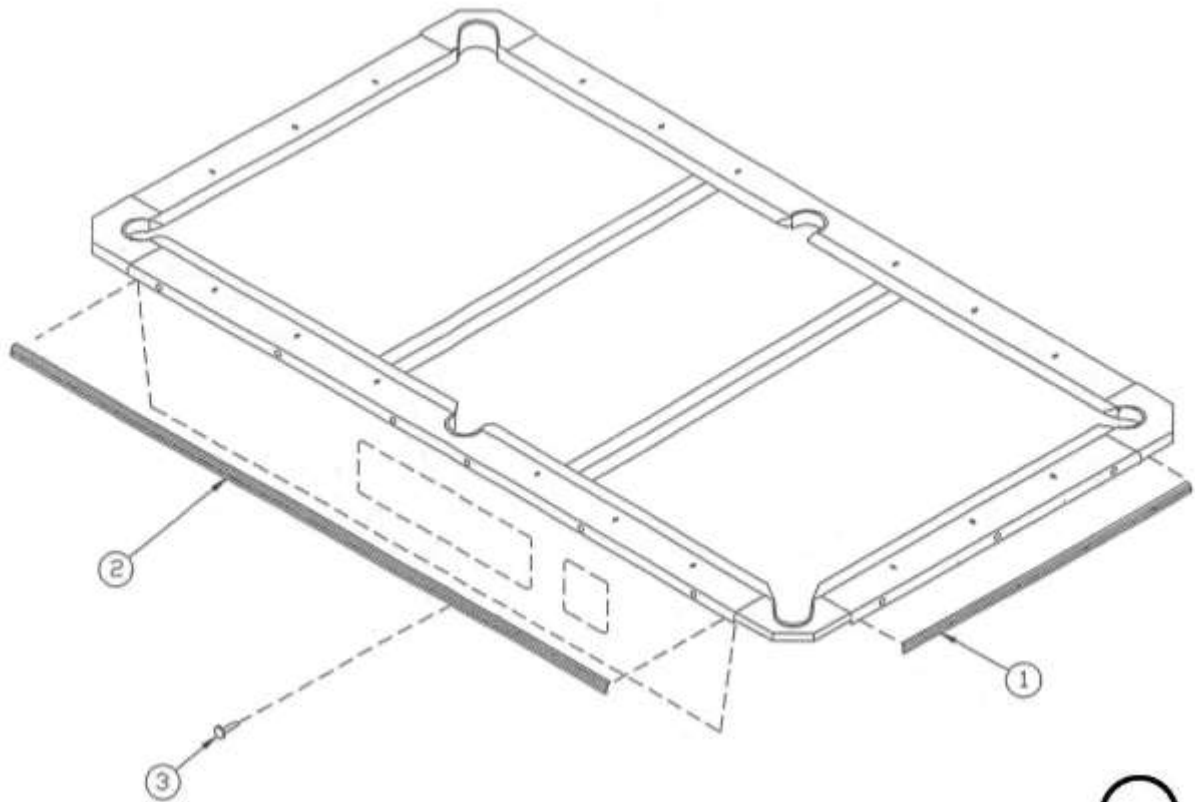


CURRENT STYLE— ZD-7 TO PRESENT
(BUT WILL FIT ON MANY OLDER TABLES)

1	CPYOOTRA30301	CORNER CASTING ASSEMBLY (ANGLED)	PCPYOOTRA30301
1	DISCONTINUED	CORNER CASTING ASSEMBLY (BLACK ANGLED)	PBBYBQTRA30301
	20200370	3/8-16 x 5/8" HEX HEAD CORNER CASTING BOLT	
	20700022	CORNER POCKET LINER - PUNCHED	
	20201091	POCKET LINER SCREW	
	20400780	POCKET LINER WASHER 10-32 x 1/2"	

RAIL MOLDINGS

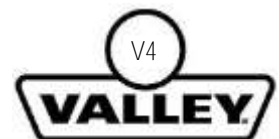
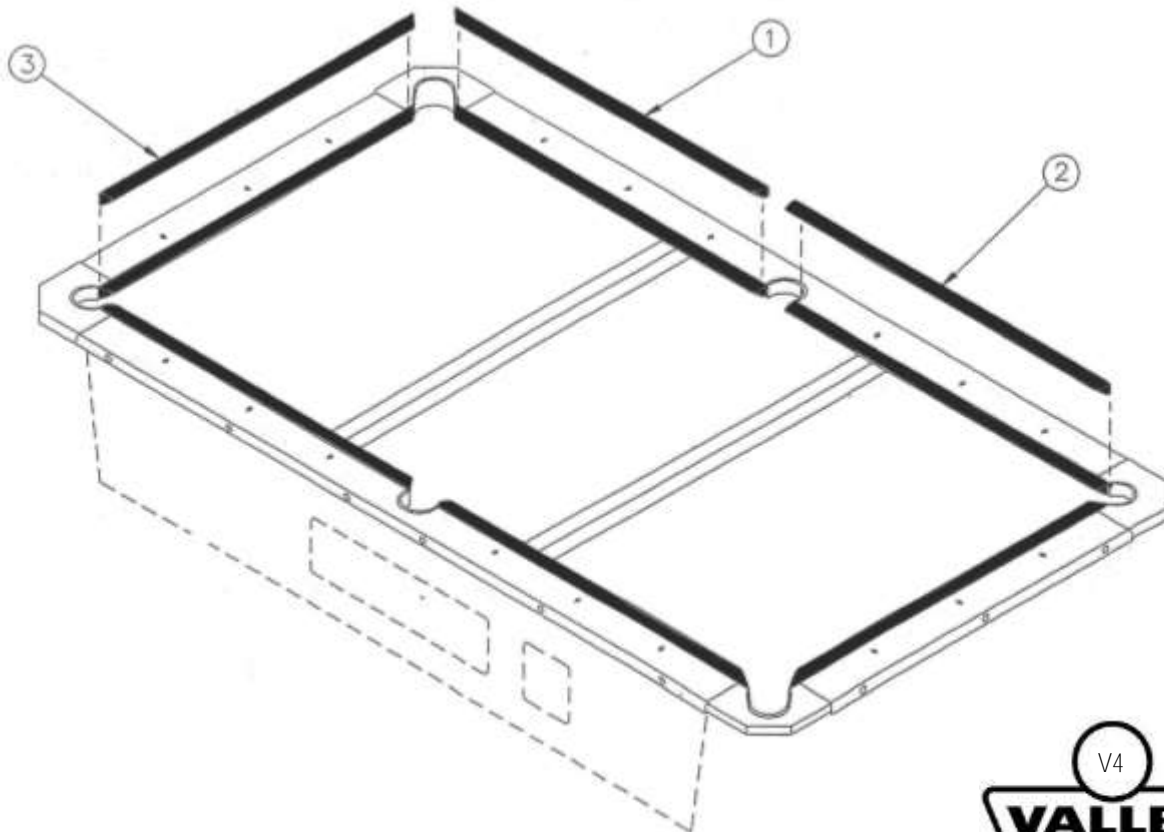
REF.	Part number	description	old part number
1	DISCONTINUED	78 END RAIL MOLDING 26 $\frac{1}{8}$ " LONG	20600331
2	DISCONTINUED	78 SIDE RAIL MOLDING 58 $\frac{5}{8}$ " LONG	20600381
1	DISCONTINUED	85 END RAIL MOLDING 29 11/16" LONG	20605690
2	DISCONTINUED	85 SIDE RAIL MOLDING 65 11/16" LONG	20605680
1	720201825	88 END RAIL MOLDING 30 15/16" LONG	20605670
2	720201830	88 SIDE RAIL MOLDING 68 3/16" LONG	20605660
1	720201840	93 END RAIL MOLDING 33 11/16" LONG	20605510
2	720201835	93 SIDE RAIL MOLDING 73 11/16" LONG	20605520
1	720201845	101 END RAIL MOLDING 38 3/16" LONG	20605650
2	720201850	101 SIDE RAIL MOLDING 82 3/16" LONG	20605640
1	720201860	BLACK 88 END RAIL MOLDING 30 15/16"	
2	720201855	BLACK 88 SIDE RAIL MOLDING 68 3/16"	
1	720201870	BLACK 93 END RAIL MOLDING 33 11/16"	
2	720201865	BLACK 93 SIDE RAIL MOLDING 73 11/16"	
1	720201880	BLACK 101 END RAIL MOLDING 38 3/16"	
2	720201875	BLACK 101 SIDE RAIL MOLDING 82 3/16"	
3	20100020	RAIL MOLDING SCREW #6 x $\frac{5}{8}$ " (if this screw is too large, use #8 x $\frac{5}{8}$ ")	



CUSHION RAILS

REF.	Part number	description	old part number
1,2,3	DISCONTINUED	78 CUSHION RAIL SET	CPEZQCRA1
1,2,3	DISCONTINUED	85 CUSHION RAIL SET	CPDZQCRA2
1,2,3	CPCZQCRA5	88 CUSHION RAIL SET	CPCZQCRA3
1,2,3	CPCOOCRA5	88 CUSHION RAIL SET - UNCOVERED	CPCOOCRA3
88 RAIL MEASUREMENTS- END AND SIDE : 33½" (MEASURED AT WIDEST POINT)			
1,2,3	CPBZQCRA5	93 CUSHION RAIL SET	CPBZQCRA3
1,2,3	CPBOOCRA5	93 CUSHION RAIL SET - UNCOVERED	CPBOOCRA3
93 RAIL MEASUREMENTS- END: 36¼", SIDE 36⅞" (MEASURED AT WIDEST POINT)			
1,2,3	CPAZQCRA5	101 CUSHION RAIL SET	CPAZQCRA4
1,2,3	CPAOCRA5	101 CUSHION RAIL SET - UNCOVERED	CPAOCRA4
101 RAIL MEASUREMENTS- END: 40¾", SIDE 40⅝" (MEASURED AT WIDEST POINT)			
	20200020	CUSHION RAIL BOLT ¼"-20 x 4½"	870007318
	20300090	T-NUT 1/4-20	
CUSHION RAILS ARE MADE WITH DUAL-DENSITY K-66 PROFILE RUBBER. WE ONLY SELL COMPLETE SETS OF CUSHION RAILS AND RECOMMEND REPLACING SETS COMPLETELY TO AVOID INCONSISTENT PLAY. OTHERWISE, IT IS LIKE "BUYING ONLY ONE NEW SHOE"			

Current production Valley Cushion rails will not fit properly in older Valley Tables where the Cushion Rails are attached with wood screws. These cushion rails will only fit tables where the **¼"-20 x 4½"** Rail Bolts are used. Contact your local distributor regarding options for refreshing older Cushion Rails



SIDE APRON

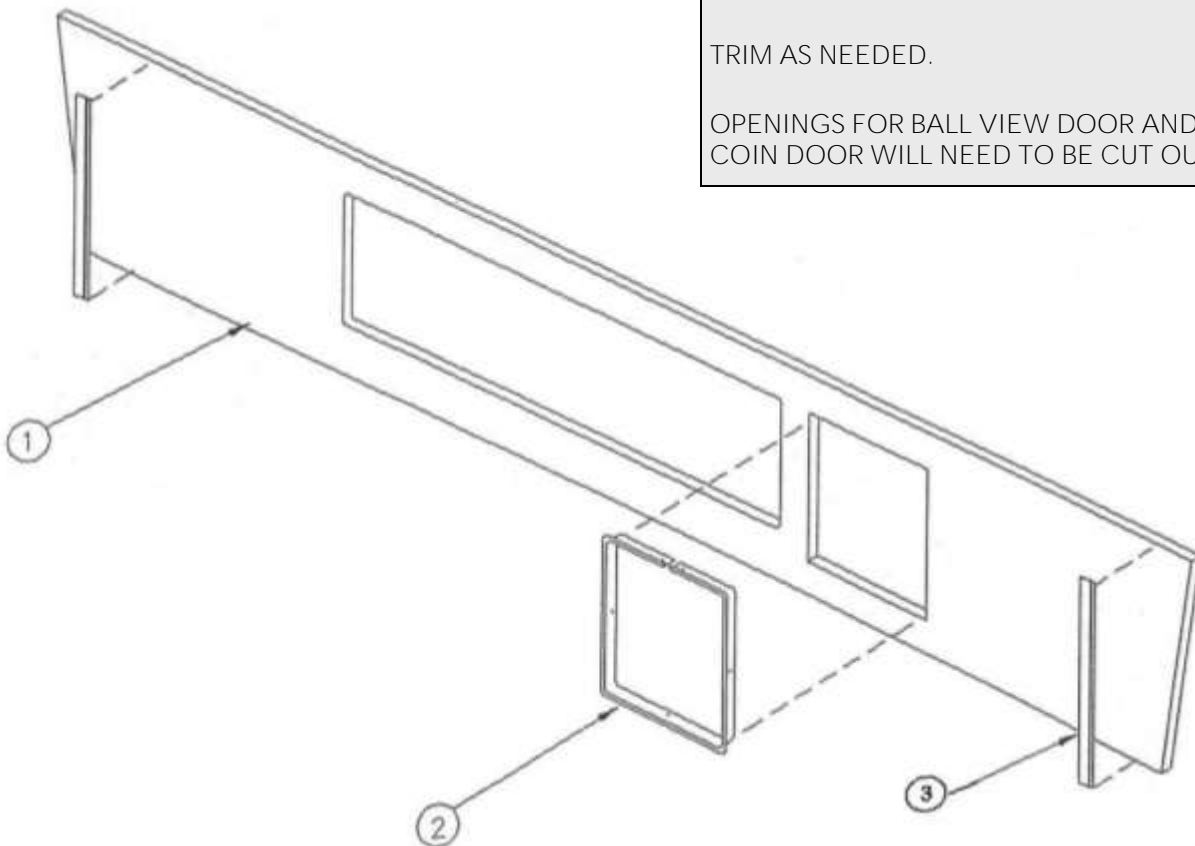
REF	description	part number (96 ³ / ₄ " x 16")
1	SIDE APRON LAMINATE - TAJ TEAK	21305360
1	SIDE APRON LAMINATE - JEWEL MAHOGANY	21307140
1	SIDE APRON LAMINATE - BILTMORE CHERRY	21307180
1	SIDE APRON LAMINATE - CHARCOAL CHROMATIC	21307220
1	SIDE APRON LAMINATE - GRAPHITE	DISCONTINUED 2009
GRAPHITE REPLACED CHARCOAL CHROMATIC IN LATE 2006 CHARCOAL CHROMATIC REPLACED GRAPHITE IN OCTOBER 2009 WHILE SIMILAR, THEY ARE FROM DIFFERENT SUPPLIERS AND NOT IDENTICAL		

REF.	Part number	description	old part number
2	20604420	PUSH CHUTE HOUSING MOLDING - 39 3/16"	
2	20605540	PUSH CHUTE HOUSING MOLDING - 39 3/16" - BLACK	LIMITED QTY.
2	DISCONTINUED	PUSH CHUTE HOUSING MOLDING - 37 1/16"	20600290
	20400170	TRIM MOLDING NAIL - #14 X 7/8"	
	20400180	TRIM MOLDING SCREW NAIL - #2 X 3/4"	
3	DISCONTINUED	DOWN CORNER STRAP (NOT USED WITH CURRENT DOWN CORNERS)	20600250

LAMINATES ARE SENT AS COMPLETE SHEETS SIZED TO FIT 8-FOOT TABLES.

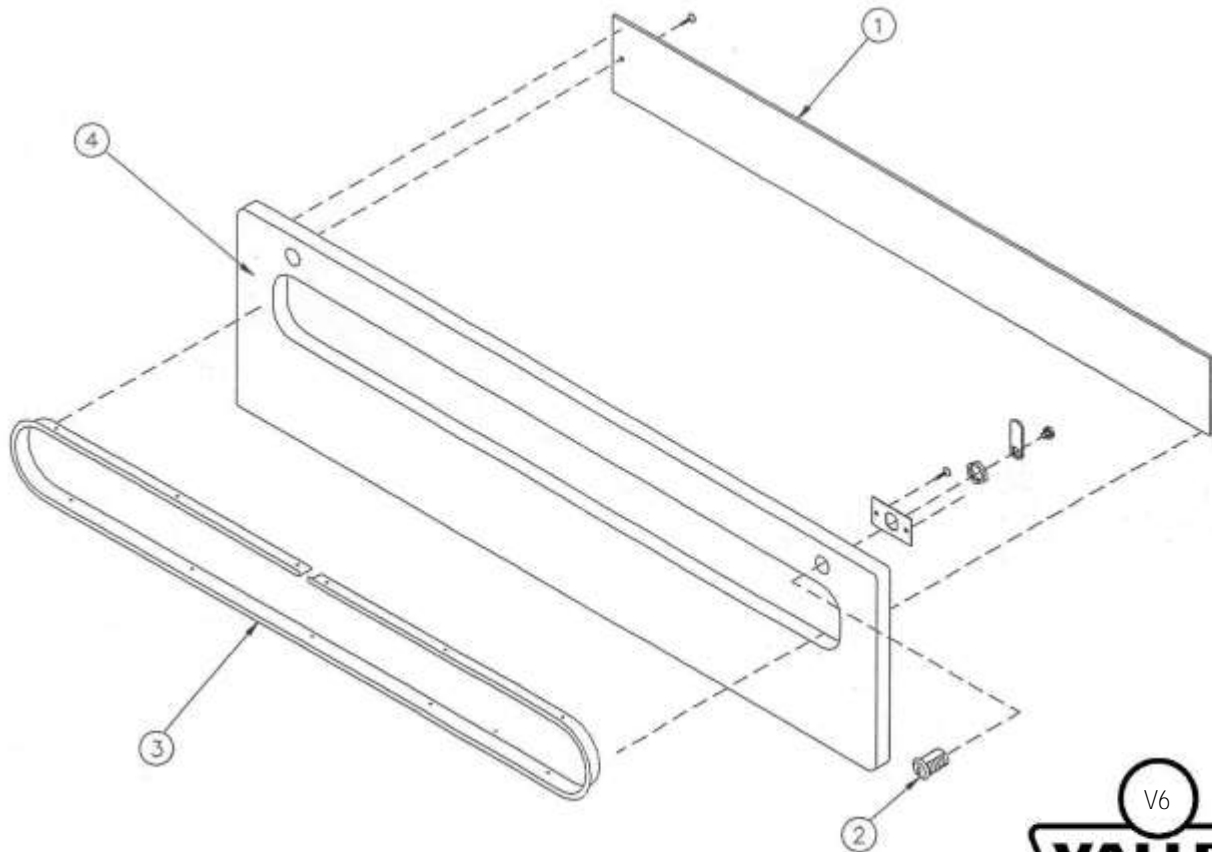
TRIM AS NEEDED.

OPENINGS FOR BALL VIEW DOOR AND COIN DOOR WILL NEED TO BE CUT OUT.



BALL VIEW DOOR ASSEMBLY

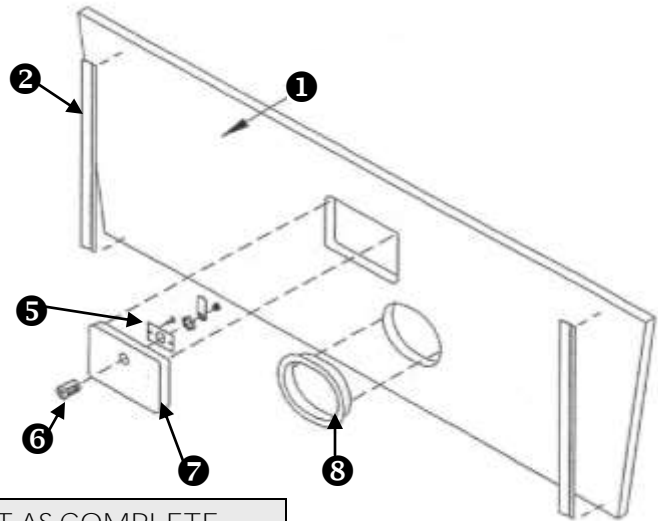
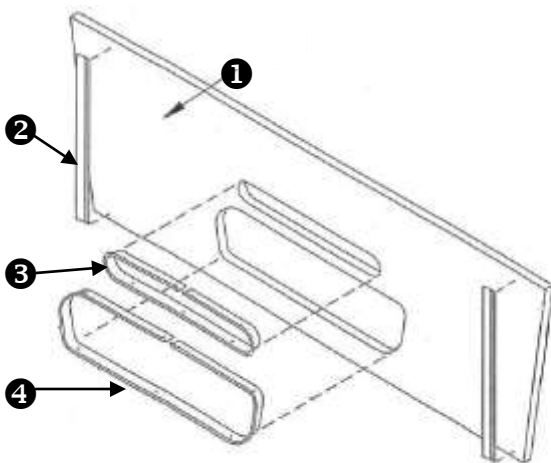
REF.	Part number	description	old part number
1	933000000	ACRYLIC FOR BALL VIEW DOOR - 3 $\frac{5}{8}$ " x 32 $\frac{1}{2}$ "	20500171
1	DISCONTINUED	ACRYLIC FOR BALL VIEW DOOR - 4 11/16" x 32 $\frac{1}{2}$ "	20500170
3	20604430	BALL VIEW DOOR MOLDING - 65 $\frac{7}{8}$ "	20600321
3	20605600	BALL VIEW DOOR MOLDING - 65 $\frac{7}{8}$ " - BLACK	LIMITED QTY
3	DISCONTINUED	BALL VIEW DOOR MOLDING - 67 $\frac{7}{8}$ "	20600320
	20400170	TRIM MOLDING NAIL - #14 X $\frac{7}{8}$ "	
	20400180	TRIM MOLDING SCREW NAIL - #2 X $\frac{3}{4}$ "	
<p>PRE-1987 THE ACRYLIC WINDOW WAS LARGER. STARTING OCT 1986 THE WINDOW SIZE WAS REDUCED SO THE BALLS COULD NOT BE REMOVED THROUGH THE OPENING. DOOR SIZE IS UNCHANGED.</p>			
2	21200410	LOCK AND KEY 1 $\frac{1}{8}$ " - C512	21200010
2	21200560	LOCK AND KEY 1 $\frac{1}{8}$ " - #54	
	800000105	LOCK BACK PLATE	20600081
	20110010	BACK PLATE SCREW - #8 x $\frac{1}{2}$ " PHILLIPS	
<p>ALL BALL VIEW DOORS ARE THE SAME SIZE, REGARDLESS OF THE TABLE SIZE</p>			
4	CPYBSBVD20101	BALL VIEW DOOR - TAJ TEAK (NO LOCK)	PCPYBSBVD20101
4	CPYJMBVD20101	BALL VIEW DOOR - JEWEL MAHOGANY (NO LOCK)	PCPYJMBVD20101
4	CTYAJBVD20101	BALL VIEW DOOR - CH. CHROMATIC (NO LOCK)	PCTYAJBVD20101
4	CTYCHBVD20101	BALL VIEW DOOR - BILTMORE CHERRY (NO LOCK)	PCTYCHBVD20101
4	SPECIAL REQUEST	BALL VIEW DOOR - GRAPHITE (NO LOCK)	PCTYRGBVD20101
<p>ONLY COLORS DATING BACK TO 1996 ARE AVAILABLE. BALL VIEW DOORS COME WITH ACRYLIC AND MOLDING, ORDER LOCKS & LOCK BACK PLATES SEPARATELY.</p>			



END APRON

REF	description	part number (54 $\frac{1}{8}$ " x 16")
1	END APRON LAMINATE - TAJ TEAK	21305370
1	END APRON LAMINATE - JEWEL MAHOGANY	21307150
1	END APRON LAMINATE - BILTMORE CHERRY	21307185
1	END APRON LAMINATE - CHARCOAL	21307225
1	END APRON LAMINATE - GRAPHITE	DISCONTINUED
CHARCOAL CHROMATIC REPLACES SIMILAR GRAPHITE FOR BLACK CAT TABLE		

REF.	Part number	description	old part number
2	DISCONTINUED	DOWN CORNER STRAP (not used on current tables)	20600250
3	20604220	TRIANGLE MOLDING - 30 9/16"	20600300
3	20605560	TRIANGLE MOLDING - 30 9/16" - BLACK	LIMITED QTY.
4	20604230	BALL RETURN BOX MOLDING - 46 $\frac{1}{8}$ "	20600310
4	20605580	BALL RETURN BOX MOLDING - 46 $\frac{1}{8}$ " - BLACK	LIMITED QTY.
	20400170	TRIM MOLDING NAIL - #14 X $\frac{7}{8}$ "	
	20400180	TRIM MOLDING SCREW NAIL - #2 X $\frac{3}{4}$ "	
5	800000105	LOCK BACK PLATE	20600081
5	20110010	BACK PLATE SCREW - #8 x $\frac{1}{2}$ " PHILLIPS	
6	21200410	LOCK AND KEY 1 $\frac{1}{8}$ " - C512	21200010
6	21200560	LOCK AND KEY 1 $\frac{1}{8}$ " - #54	
ALL CLEAN OUT DOORS SAME SIZE - LOCK AND LOCK BACK PLATE AVAILABLE SEPARATELY			
7	CPYBSCOD10101	CLEAN OUT DOOR - TAJ TEAK	PCPYBSCOD10101
7	CPYJMCOD10101	CLEAN OUT DOOR - JEWEL MAHOGANY	PCPYJMCOD10101
7	CPYCHCOD10101	CLEAN OUT DOOR - BILTMORE CHERRY	PCPYCHCOD10101
7	CPYAJCOD10101	CLEAN OUT DOOR—CHARCOAL CHROMATIC	
7	CPYRGCOD10101	CLEAN OUT DOOR - GRAPHITE	PCPYRGCOD10101
8	20700321	CUE BALL RING - BLACK	
8	DISCONTINUED	CUE BALL RING - BROWN	20700301



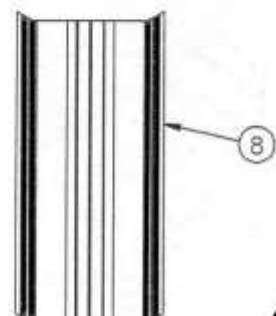
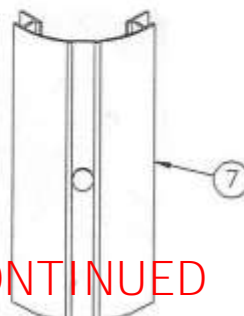
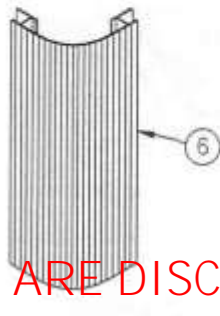
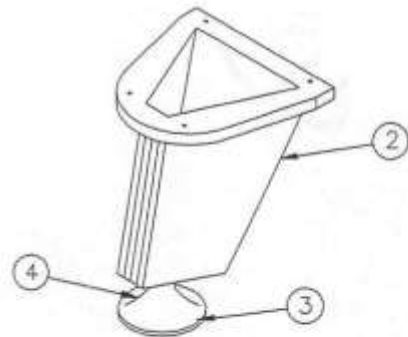
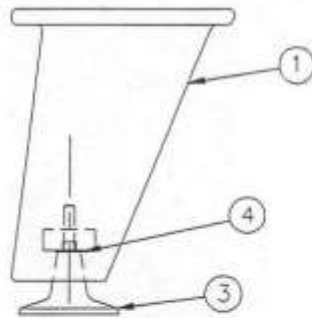
LAMINATES ARE SENT AS COMPLETE SHEETS SIZED TO FIT 8-FOOT TABLES. TRIM AS NEEDED.

OPENINGS FOR BALL VIEW DOOR AND COIN DOOR WILL NEED TO BE CUT OUT.



LEG ASSEMBLIES AND DOWN CORNERS

REF.	Part number	description	old part number
1	DISCONTINUED	ROUNDED BLACK FIBERGLASS LEG W/PLATE	20506790
1	DISCONTINUED	BROWN FIBERGLASS LEG W/PLATE	20500410
2	20515771	SQUARED BLACK ABS LEG W/PLATE	20515770
	20200030	LEG BOLT 5/16-18 x 1 1/2"	
	20300110	LEG T-NUT 5/16-18	
	20300820	LEG T-NUT W/BASE 5/16-18	
	20102290	LEG T-NUT W/BASE SCREW #6 x 3/4"	
3	20607560	LEG LEVELER	
4	20600961	LEG ADJUSTMENT PLATE	20600960
	870001208	LEG ADJUSTMENT PLATE SCREW	20100100
5	DISCONTINUED	DOWN CORNER - BROWN (1964—1981)	20600260
6	DISCONTINUED	DOWN CORNER - BLACK (1964—1981)	20608480
6	DISCONTINUED	DOWN CORNER - ALUMINUM (1982-1993)	20600620
7	DISCONTINUED	DOWN CORNER ASSY - ZD6 (1993—1995)	20605630
7	DISCONTINUED	DOWN CORNER MEDALLION LOGO	20507160
7	DISCONTINUED	DOWN CORNER LAMINATE - ZD6	21304290
8	20607540	ALUMINUM DOWN CORNER (NO LAMINATE)	
8	20607820	DOWN CORNER ASSY - ZD7 TAJ TEAK	20607820
	21305730	DOWN CORNER LAMINATE - TAJ TEAK	
8	20607821	DOWN CORNER ASSY - ZD8 JEWEL MAHOGANY	
	99300J405	DOWN CORNER LAMINATE - JEWEL MAHOGANY	
8	20607940	DOWN CORNER ASSY - ZD7 BLACK	LIMITED QTY.
8	20607822	DOWN CORNER ASSY - BILTMORE CHERRY	
8	20607823	DOWN CORNER ASSY - ZD8 GRAPHITE	
	993000405-63	DOWN CORNER LAMINATE - GRAPHITE	



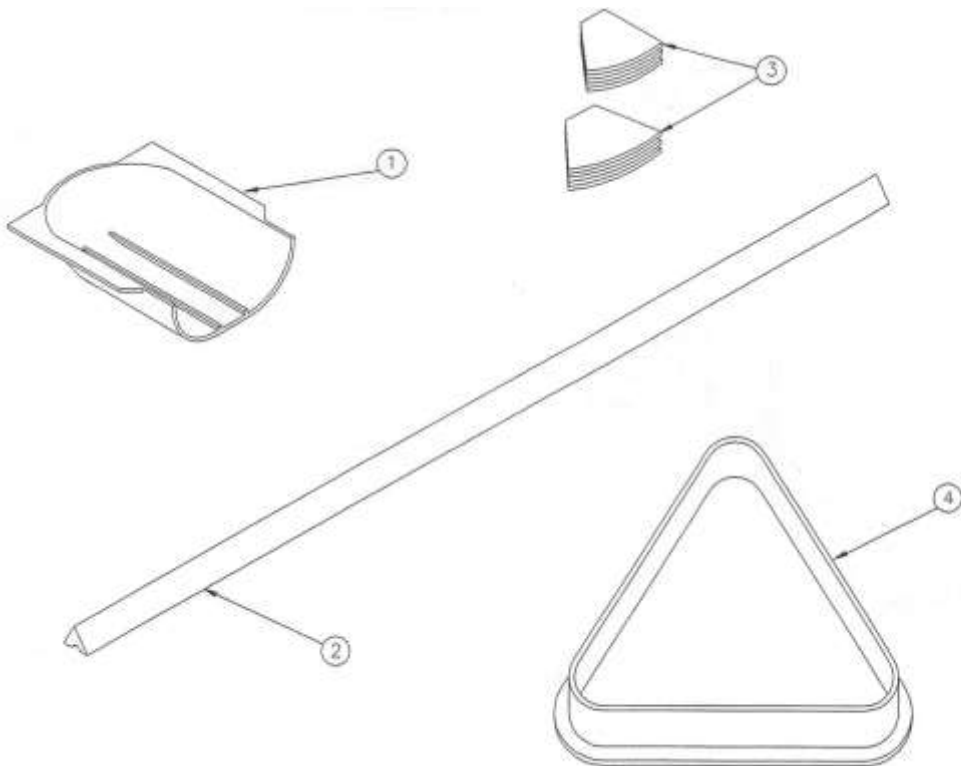
THESE STYLES ARE DISCONTINUED



SLATES AND MISCELLANEOUS

part number	description
SLAZP	101 SLATE - 47½" x 91½"
SLBZP	93 SLATE - 43" x 83"
SLCZP	88 SLATE - 40¼" x 77½"
SLDZP	85 SLATE - 39" x 75" - DISCONTINUED
SLEZP	78 SLATE - 35½" x 68" - DISCONTINUED
PRICE DOES NOT INCLUDE \$75.00 CRATING CHARGE OR FREIGHT SLATES MUST GO ON A TRUCK AND CANNOT SHIP VIA UPS/FED EX SLATES MUST BE DELIVERED TO A LOADING DOCK OR GO ON A LIFT TRUCK WE ARE NOT RESPONSIBLE FOR SLATES DAMAGED FROM IMPROPER UNLOADING	

2	DISCONTINUED	K-55 PROFILE CUSHION RUBBER	897501036
2	DISCONTINUED	K-55 PROFILE CUSHION RUBBER	897501043
2	DISCONTINUED	K-66 PROFILE CUSHION RUBBER 36"	897601036
2	DISCONTINUED	K-66 PROFILE CUSHION RUBBER 42"	897601042
3	860201750	CUSHION FACING SET (12 PIECES)	VARIOUS
4	20500190	TRIANGLE	



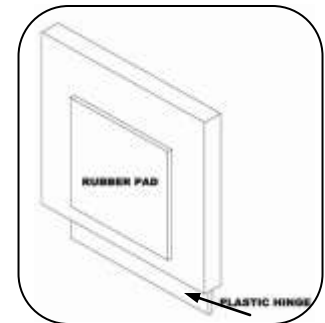
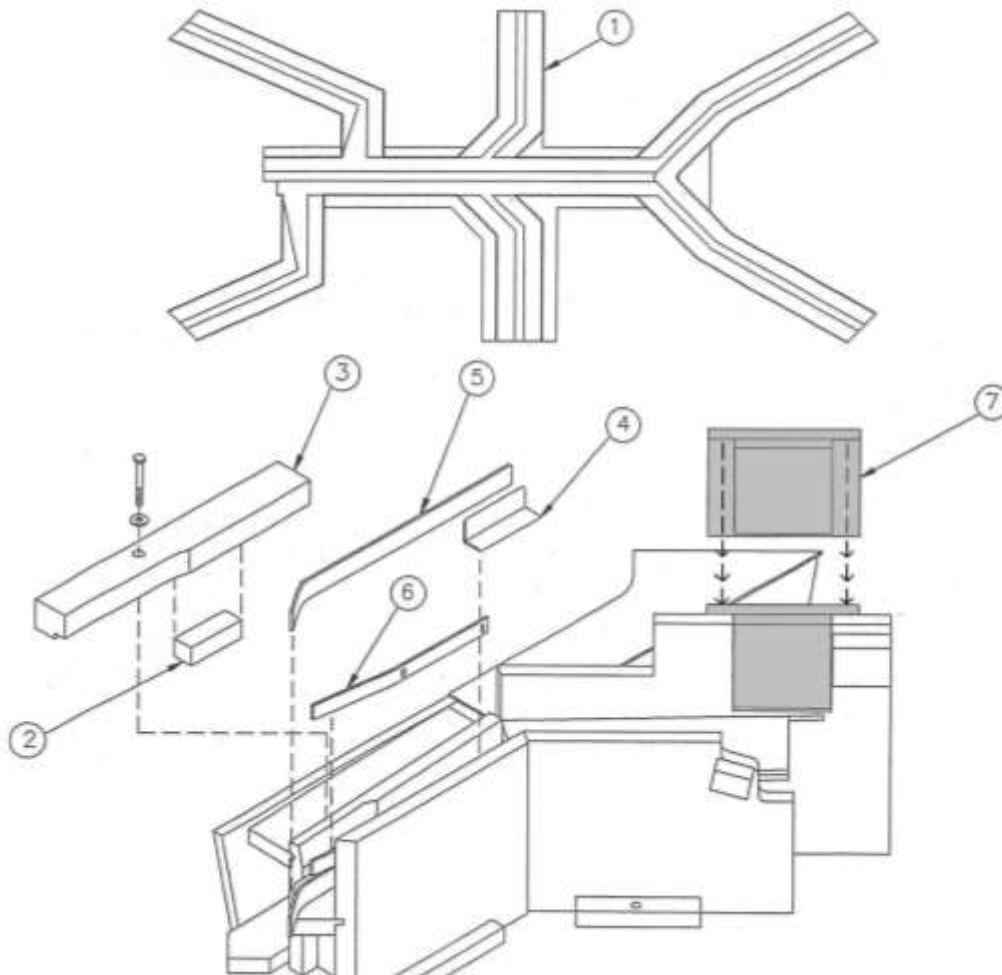
CENTER CHUTES AND BALL SEPARATOR

REF.	Part number	description	old part number
1	20500081	CENTER CHUTE 101	
1	20500071	CENTER CHUTE 93	
1	20500061	CENTER CHUTE 88	
1	DISCONTINUED	CENTER CHUTE 85	20500051
1	DISCONTINUED	CENTER CHUTE 78	20500040

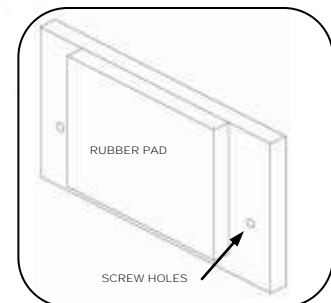
IF YOU THINK YOUR TABLE REQUIRES A CENTER CHUTE, PLEASE CONTACT TECHNICAL SUPPORT. THESE ARE RARELY REPLACED AND THERE MAY BE OTHER TECHNICAL ISSUES WITH YOUR TABLE.

2	21700011	CERAMIC MAGNET	
3	9680C1430	MAGNET HOLDER (WOOD), #32 TO CURRENT	860200050
3	DISCONTINUED	MAGNET HOLDER, MODEL #39 AND BEFORE	00100291
	20200050	MAGNET HOLDER BOLT 1/4"-20 x 2 1/4"	
	20300090	T-NUT 1/4"-20	
	20400090	MAGNET HOLDER WASHER	
4	20600090	BALL SEPARATOR - SHORT RAIL	P20600090
5	20600101	BALL SEPARATOR - LONG RAIL	P20600101
6	20600110	BALL SHUNT	P20600110
7A	CPYOOBKA00209	CLEAN OUT DOOR INSERT (HINGE STYLE)	
7B	CPYOOBKA00201	CLEAN OUT DOOR INSERT (WING NUT STYLE)	PCPYOOBKA00201
7B	20100390	CLEAN OUT DOOR INSERT SCREW 8-32 X 1 1/4"	
7B	20300030	WING NUT 8-32	

MAGNETS RARELY "GO BAD". CONTACT TECHNICAL SUPPORT IF YOU HAVE A PROBLEM. A SIMPLE ADJUSTMENT, OUR NEW MAGNET HOLDER, OR A DIFFERENT CUE BALL BE THE ANSWER.



7A—CPYOOBKA00209
Attaches using plastic hinge

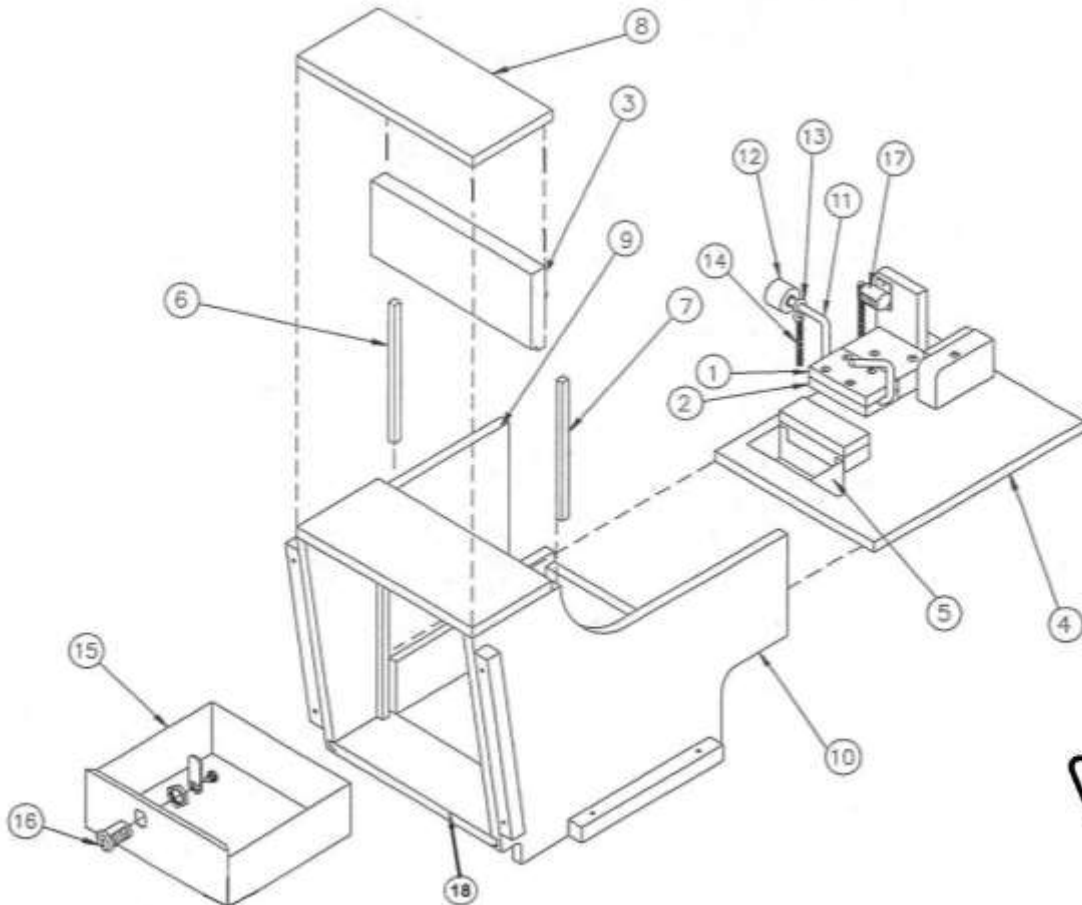


7B—CPYOOBKA00201
Attaches using wing nuts



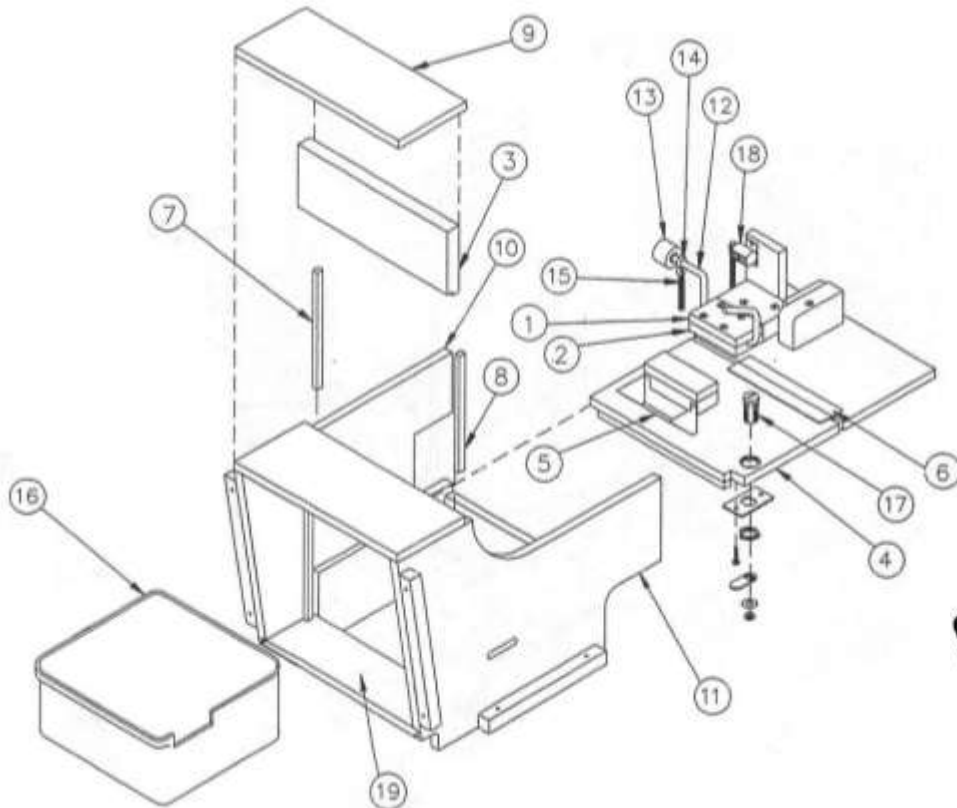
PUSH CHUTE HOUSING FOR MODEL #37 AND BEFORE

REF.	Part number	description	old part number
V11	DISCONTINUED	COMPLETE PUSH CHUTE HOUSING ASSEMBLY	CPYECBHG
1	9680C0306	PUSH CHUTE HINGE BLOCK 'A'	01000670
2	9680C0305	PUSH CHUTE HINGE BLOCK 'B'	01000660
3	DISCONTINUED	PUSH CHUTE DOOR HEADER (9½ x ¾ x 4)	CPYECBHG00401
4	DISCONTINUED	CASH BOX COVER WITH FUNNEL	CPYOOCBC00101
5	DISCONTINUED	FUNNEL	20600050
6	DISCONTINUED	PUSH CHUTE LEFT SIDE DOOR RAIL	CPYECBHG00201
7	DISCONTINUED	PUSH CHUTE RIGHT SIDE DOOR RAIL	CPYECBHG00101
8	DISCONTINUED	TOP BRACE	10400150
9	DISCONTINUED	PUSH CHUTE HOUSING, LEFT SIDE	CPYECBHG00501
10	DISCONTINUED	PUSH CHUTE HOUSING, RIGHT SIDE	CPYECBHG00601
11	DISCONTINUED	HINGE BAR ASSEMBLY	20600031
CONTACT VALLEY-DYNAMO TECHNICAL SUPPORT FOR HINGE BAR REPLACEMENT OPTIONS			
12	20500091	NYLON WHEEL	
ON NEWER HINGE BARS THIS WHEEL IS CRIMPED ON AND NOT DESIGNED TO BE REPLACED. CONTACT TECHNICAL SUPPORT IF YOU ARE NOT SURE.			
13	21700470	8-HOOK FOR HINGE BAR	
	21700160	RETAINING CLIP 5/16"	
14	21700120	HINGE BAR SPRING .033 WIRE	
15	DISCONTINUED	METAL CASH BOX	20600070
16	21200400	LOCK KEY DIF/ SB & SC ⅞" BARREL	
	800000105	LOCK BACK PLATE	20600081
	20110010	BACK PLATE SCREW #8 X ½"	
17	CPYOORF	PUSH CHUTE COUNTER RETROFIT KIT	
17	DISCONTINUED	PUSH CHUTE COUNTER WITH SPRING ARM	21705670
	DISCONTINUED	COUNTER SPRING ARM WITH SCREW	21700080
18	DISCONTINUED	BOTTOM SHELF ASSEMBLY	CPYECBHG00301



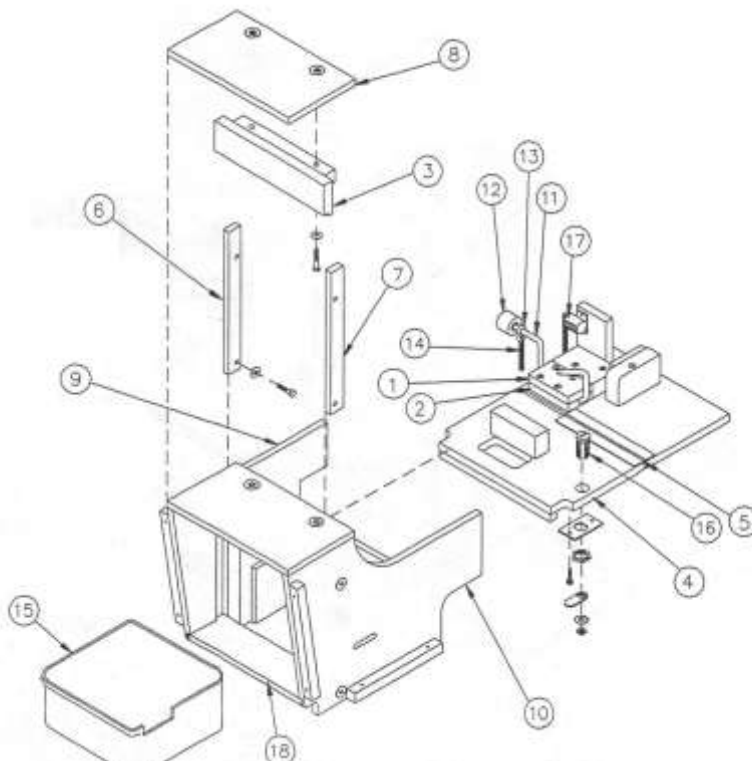
PUSH CHUTE HOUSING FOR MODEL #39 AND #32

REF.	Part number	description	old part number
V12	DISCONTINUED	COMPLETE PUSH CHUTE HOUSING ASSEMBLY	CPYECBHK1
1	9680C0306	PUSH CHUTE HINGE BLOCK 'A'	01000670
2	9680C0305	PUSH CHUTE HINGE BLOCK 'B'	01000660
3	DISCONTINUED	PUSH CHUTE DOOR HEADER (10¼ x ¾ x 4)	CPYECBHK10401
4	DISCONTINUED	CASH BOX COVER FRONT WITH FUNNEL	CPYOOCBC10101
5	DISCONTINUED	FUNNEL	20600050
6	DISCONTINUED	COIN SHELF HINGE	20500162
7	DISCONTINUED	PUSH CHUTE LEFT SIDE DOOR RAIL	CPYDRPCA00201
8	DISCONTINUED	PUSH CHUTE RIGHT SIDE DOOR RAIL	CPYECBHK00101
9	DISCONTINUED	TOP BRACE	010400150
10	DISCONTINUED	PUSH CHUTE HOUSING, LEFT SIDE	CPYDRPCA10501
11	DISCONTINUED	PUSH CHUTE HOUSING, RIGHT SIDE	CPYDRPCA10601
12	DISCONTINUED	HINGE BAR ASSEMBLY	20600031
CONTACT VALLEY-DYNAMO TECHNICAL SUPPORT FOR HINGE BAR REPLACEMENT OPTIONS			
13	20500091	NYLON WHEEL	
ON NEWER HINGE BARS THIS WHEEL MAY BE CRIMPED ON AND NOT DESIGNED TO BE REPLACED. CONTACT TECHNICAL SUPPORT IF YOU ARE NOT SURE.			
14	21700470	8-HOOK FOR HINGE BAR	
	21700160	RETAINING CLIP 5/16"	
15	21700120	HINGE BAR SPRING .033 WIRE	
16	20500014	PLASTIC CASH BOX	
17	21200400	LOCK KEY DIF/ SB & SC 7/8" BARREL	
	800000105	LOCK BACK PLATE	20600081
	20110010	BACK PLATE SCREW #8 X ½"	
18	CPYOORTF	PUSH CHUTE COUNTER RETROFIT KIT	
18	DISCONTINUED	PUSH CHUTE COUNTER WITH SPRING ARM	21705670
	DISCONTINUED	COUNTER SPRING ARM WITH SCREW	21700080
19	DISCONTINUED	DOOR SILL	CPYDRPCA30301



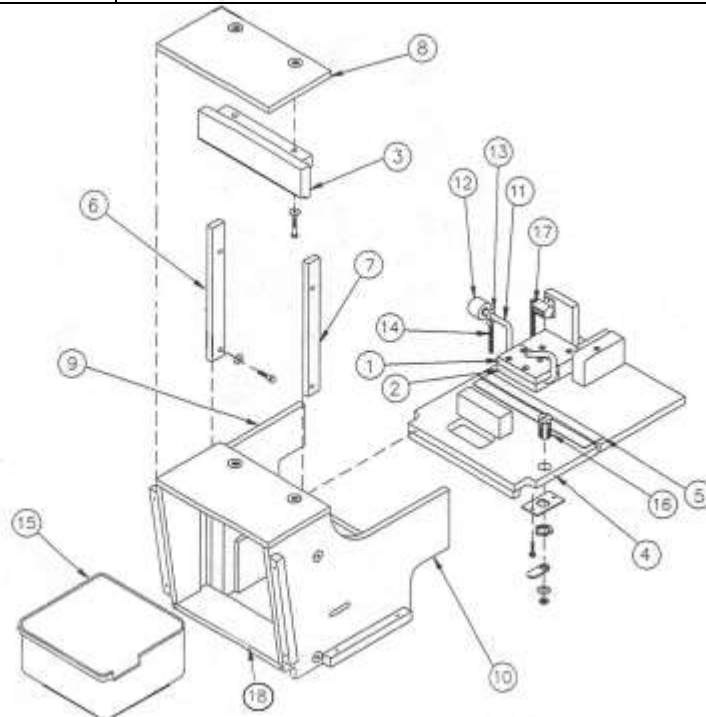
PUSH CHUTE HOUSING FOR MODEL CPBDZ BEFORE SERIAL NUMBER M36191

REF.	Part number	description	old part number
V13	CPYECPCA7	COMPLETE PUSH CHUTE HOUSING ASSEMBLY	
1	9680C0306	PUSH CHUTE HINGE BLOCK 'A'	01000670
2	9680C0305	PUSH CHUTE HINGE BLOCK 'B'	01000660
3	DISCONTINUED	PUSH CHUTE DOOR HEADER (10 3/16 x 2 5/8)	CPYECPCCH30101
	20200140	DOOR HEADER BOLT 1/4-20 x 1 1/2"	
	20400120	WASHER	
4	DISCONTINUED	CASH BOX COVER FRONT ASSEMBLY	CPYOOCBF30101
5	DISCONTINUED	COIN SHELF HINGE	20500162
6	9680C1155	PUSH CHUTE LEFT SIDE DOOR RAIL	00400220
7	9680C1145	PUSH CHUTE RIGHT SIDE DOOR RAIL	00400211
	20500450	DOOR RAIL BOLT 1/4-20 x 1 1/4"	
	20400120	WASHER	
8	CPYOOPCH30201	TOP BRACE ON PUSH CHUTE HINGE ASSY	
9	DISCONTINUED	PUSH CHUTE HOUSING, LEFT SIDE	CPYECPCA30201
10	DISCONTINUED	PUSH CHUTE HOUSING, RIGHT SIDE	CPYECPCA30101
11	803001005	HINGE BAR ASSEMBLY	803001000, 20600033
THIS HINGE BAR ASSEMBLY IS THE CURRENT MODEL IF REPLACING AN OLDER MODEL, ORDER BOTH HINGE BLOCKS TOO!			
12	20500091	NYLON WHEEL	
ON NEWER HINGE BARS THIS WHEEL IS CRIMPED ON AND NOT DESIGNED TO BE REPLACED. CONTACT TECHNICAL SUPPORT IF YOU ARE NOT SURE.			
13	21700470	8-HOOK FOR HINGE BAR	
	21700160	RETAINING CLIP 5/16"	
14	21700120	HINGE BAR SPRING .033 WIRE	
15	20500014	PLASTIC CASH BOX	
16	21200400	LOCK KEY DIF/ SB & SC 7/8" BARREL	
	800000105	LOCK BACK PLATE	20600081
	20110010	BACK PLATE SCREW #8 X 1/2"	
17	CPYOORTF	PUSH CHUTE COUNTER RETROFIT KIT	
17	DISCONTINUED	PUSH CHUTE COUNTER WITH SPRING ARM	21705670
	DISCONTINUED	COUNTER SPRING ARM WITH SCREW	21700080
18	CPYECPCA30301	DOOR SILL	



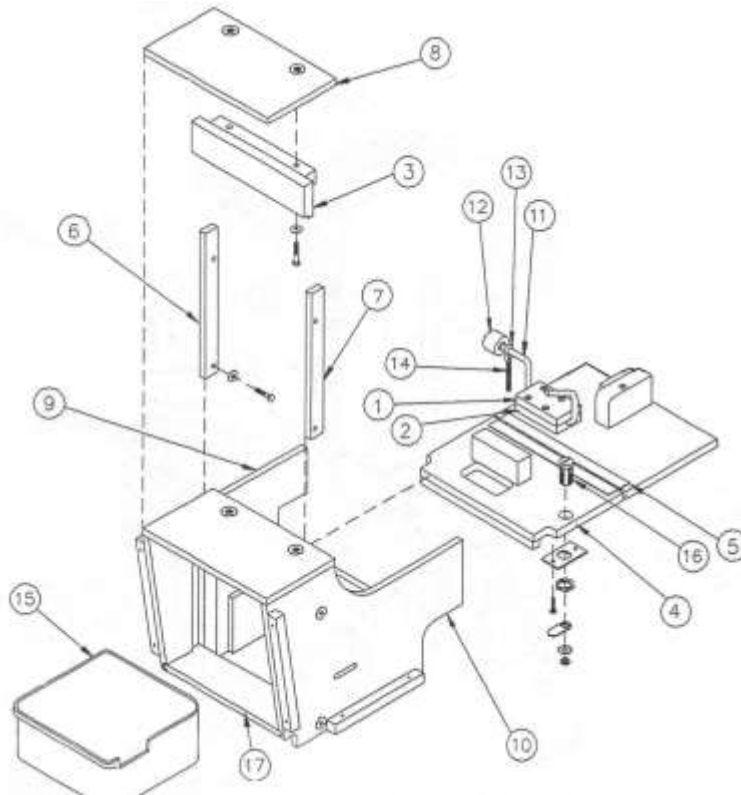
PUSH CHUTE HOUSING FROM MODEL CPBDZ
AFTER M36191 TO MODEL CPBSM BEFORE S15595

REF.	Part number	description	old part number
V14	CPYECPCA7	COMPLETE PUSH CHUTE HOUSING ASSEMBLY	
1	9680C0306	PUSH CHUTE HINGE BLOCK 'A'	01000670
2	9680C0305	PUSH CHUTE HINGE BLOCK 'B'	01000660
3	CPYECPCCH40101	PUSH CHUTE DOOR HEADER (10 3/16 x 2 3/4)	PCPYECPCCH30101
	20200140	DOOR HEADER BOLT 1/4-20 x 1 1/2"	
	20400120	WASHER	
4	DISCONTINUED	CASH BOX COVER FRONT ASSEMBLY	CPYOOCBF30101
5	DISCONTINUED	CASH BOX HINGE	20503450
6	9680C1155	PUSH CHUTE LEFT SIDE DOOR RAIL	00400220
7	9680C1145	PUSH CHUTE RIGHT SIDE DOOR RAIL	00400211
	20500450	DOOR RAIL BOLT 1/4-20 x 1 1/4"	
	20400120	WASHER	
8	CPYOOPCH30201	TOP BRACE ON PUSH CHUTE HINGE ASSY	
9	CPYECPCA60201	PUSH CHUTE HOUSING, LEFT SIDE	CPYECPCA40201
10	CPYECPCA40101	PUSH CHUTE HOUSING, RIGHT SIDE	CPYECPCA40101
11	803001005	HINGE BAR ASSEMBLY	803001000, 20600033
THIS HINGE BAR ASSEMBLY IS THE CURRENT MODEL IF REPLACING AN OLDER MODEL, ORDER BOTH HINGE BLOCKS TOO!			
12	20500091	NYLON WHEEL	
ON NEWER HINGE BARS THIS WHEEL IS CRIMPED ON AND NOT DESIGNED TO BE REPLACED. CONTACT TECHNICAL SUPPORT IF YOU ARE NOT SURE.			
13	21700470	8-HOOK FOR HINGE BAR	
	21700160	RETAINING CLIP 5/16"	
14	21700120	HINGE BAR SPRING .033 WIRE	
15	20500014	PLASTIC CASH BOX	
16	21200400	LOCK KEY DIF/ SB & SC 7/8" BARREL	
	800000105	LOCK BACK PLATE	20600081
	20110010	BACK PLATE SCREW #8 X 1/2"	
17	CPYOORTF	PUSH CHUTE COUNTER RETROFIT KIT	
17	DISCONTINUED	PUSH CHUTE COUNTER WITH SPRING ARM	21705670
	DISCONTINUED	COUNTER SPRING ARM WITH SCREW	21700080
18	CPYECPCA30301	DOOR SILL	CPYECPCA30301



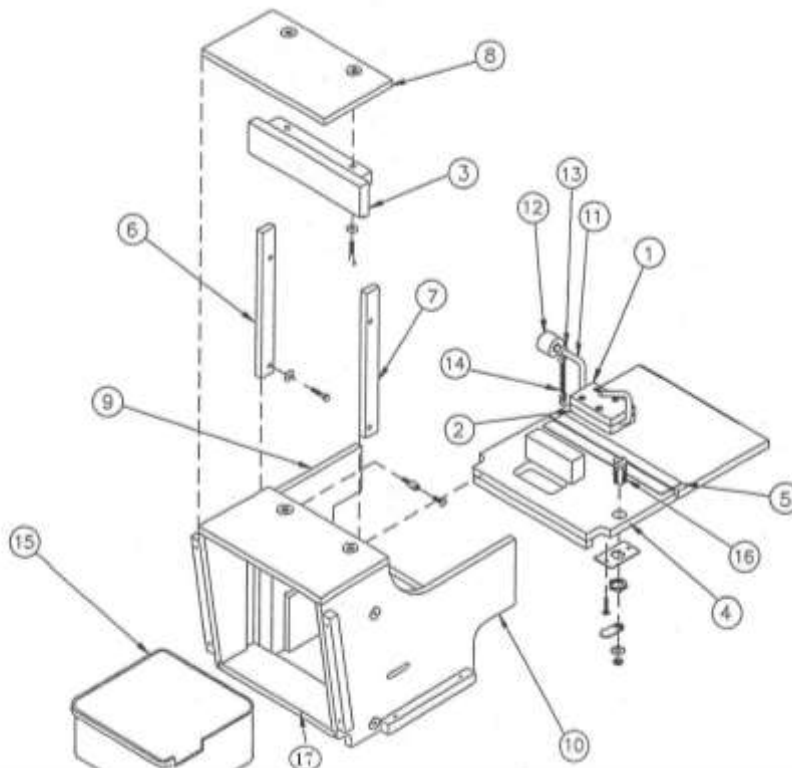
PUSH CHUTE HOUSING FROM MODEL CPBSM SERIAL NUMBER S15595 TO S28124

REF.	Part number	description	old part number
V15	CPYECPCA7	COMPLETE PUSH CHUTE HOUSING ASSEMBLY	
1	9680C0306	PUSH CHUTE HINGE BLOCK 'A'	01000670
2	9680C0305	PUSH CHUTE HINGE BLOCK 'B'	01000660
3	CPYECPCCH40101	PUSH CHUTE DOOR HEADER (10 3/16 x 2 3/4)	PCPYECPCCH40101
	20200140	DOOR HEADER BOLT 1/4-20 x 1 1/2"	
	20400120	WASHER	
4	DISCONTINUED	CASH BOX COVER FRONT ASSEMBLY	CPYOOCBF40101
5	DISCONTINUED	CASH BOX HINGE	20503450
6	9680C1155	PUSH CHUTE LEFT SIDE DOOR RAIL	00400220
7	9680C1145	PUSH CHUTE RIGHT SIDE DOOR RAIL	00400211
	20500450	DOOR RAIL BOLT 1/4-20 x 1 1/4"	
	20400120	WASHER	
8	CPYOOPCH30201	TOP BRACE ON PUSH CHUTE HINGE ASSY	
9	CPYECPCA60201	PUSH CHUTE HOUSING, LEFT SIDE	CPYECPCA40201
10	CPYECPCA40101	PUSH CHUTE HOUSING, RIGHT SIDE	CPYECPCA40101
11	803001005	HINGE BAR ASSEMBLY	803001000, 20600033
THIS HINGE BAR ASSEMBLY IS THE CURRENT MODEL IF REPLACING AN OLDER MODEL, ORDER BOTH HINGE BLOCKS TOO!			
12	20500091	NYLON WHEEL	
ON NEWER HINGE BARS THIS WHEEL IS CRIMPED ON AND NOT DESIGNED TO BE REPLACED. CONTACT TECHNICAL SUPPORT IF YOU ARE NOT SURE.			
13	21700470	8-HOOK FOR HINGE BAR	
	21700160	RETAINING CLIP 5/16"	
14	21700120	HINGE BAR SPRING .033 WIRE	
15	20500014	PLASTIC CASH BOX	
16	21200400	LOCK KEY DIF/ SB & SC 7/8" BARREL	
	800000105	LOCK BACK PLATE	20600081
	20110010	BACK PLATE SCREW #8 X 1/2"	
17	CPYECPCA30301	DOOR SILL	
COUNTER IS MOUNTED ON THE COIN DOOR OF TABLES FOLLOWING CPBSM SERIAL # S15594			



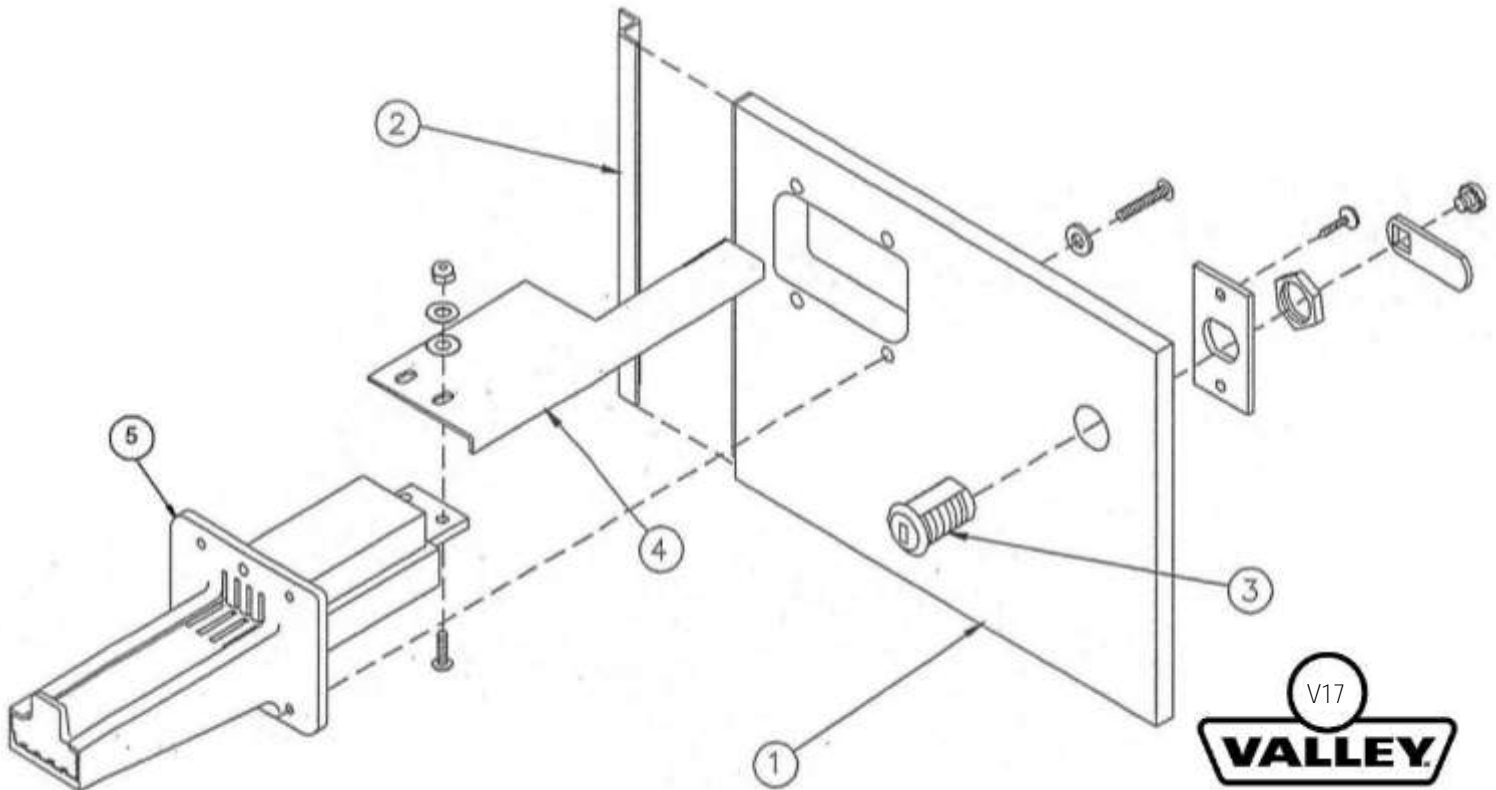
CURRENT-PRODUCTION PUSH CHUTE HOUSING USED SINCE MODEL CPBSM SERIAL NUMBER S28124 (1993)

REF.	Part number	description	old part number
V16	CPYECPCA7	COMPLETE PUSH CHUTE HOUSING ASSEMBLY	
1	9680C0306	PUSH CHUTE HINGE BLOCK 'A'	01000671
2	9680C0305	PUSH CHUTE HINGE BLOCK 'B'	01000661
3	CPYECPCCH40101	PUSH CHUTE DOOR HEADER (10 3/16 x 2 3/4)	PCPYECPCCH40101
	20200140	DOOR HEADER BOLT 1/4-20 x 1 1/2"	
	20400090	WASHER	
4	CPYOOCBF50101	CASH BOX COVER FRONT - ZD7 AND AFTER	CPYOOCBF40101
5	DISCONTINUED	CASH BOX HINGE	20503450
6	9680C1155	PUSH CHUTE LEFT SIDE DOOR RAIL	00400220
7	9680C1145	PUSH CHUTE RIGHT SIDE DOOR RAIL	00400211
	20500450	DOOR RAIL BOLT 1/4-20 x 1 1/4"	
	20400120	WASHER	
8	CPYOOPCH30201	TOP BRACE ON PUSH CHUTE HINGE ASSY	CPYOOPCH30201
9	CPYECPCA60201	PUSH CHUTE HOUSING, LEFT SIDE	CPYECPCA40201
	20604680	3/8" STAND OFF	
	20201101	STAND OFF SCREW, 8-23 x 1/4"	
10	CPYECPCA40101	PUSH CHUTE HOUSING, RIGHT SIDE	CPYECPCA40101
11	803001005	HINGE BAR ASSEMBLY	803001000, 20600033
12	NOT REPLACED	NYLON WHEEL	20500091
ON CURRENT HINGE BARS THIS WHEEL IS CRIMPED ON AND NOT DESIGNED TO BE REPLACED.			
13	21700470	8-HOOK FOR HINGE BAR	
	21700160	RETAINING CLIP 5/16"	
14	21700120	HINGE BAR SPRING .033 WIRE	
	21707940	S-HOOK, HINGE BAR SPRING/PUSH CHUTE SIDE	
15	20500014	PLASTIC CASH BOX	
COIN SECURITY LOCKS ARE KEYED DIFFERENTLY. IF YOUR KEY IS LOST, REPLACE THE LOCK. YOU CANNOT ORDER A REPLACEMENT KEY			
16	21200400	LOCK KEY DIF/ SB & SC 7/8" BARREL	
	800000105	LOCK BACK PLATE	20600081
	20110010	BACK PLATE SCREW #8 X 1/2"	
17	CPYECPCA30301	DOOR SILL	



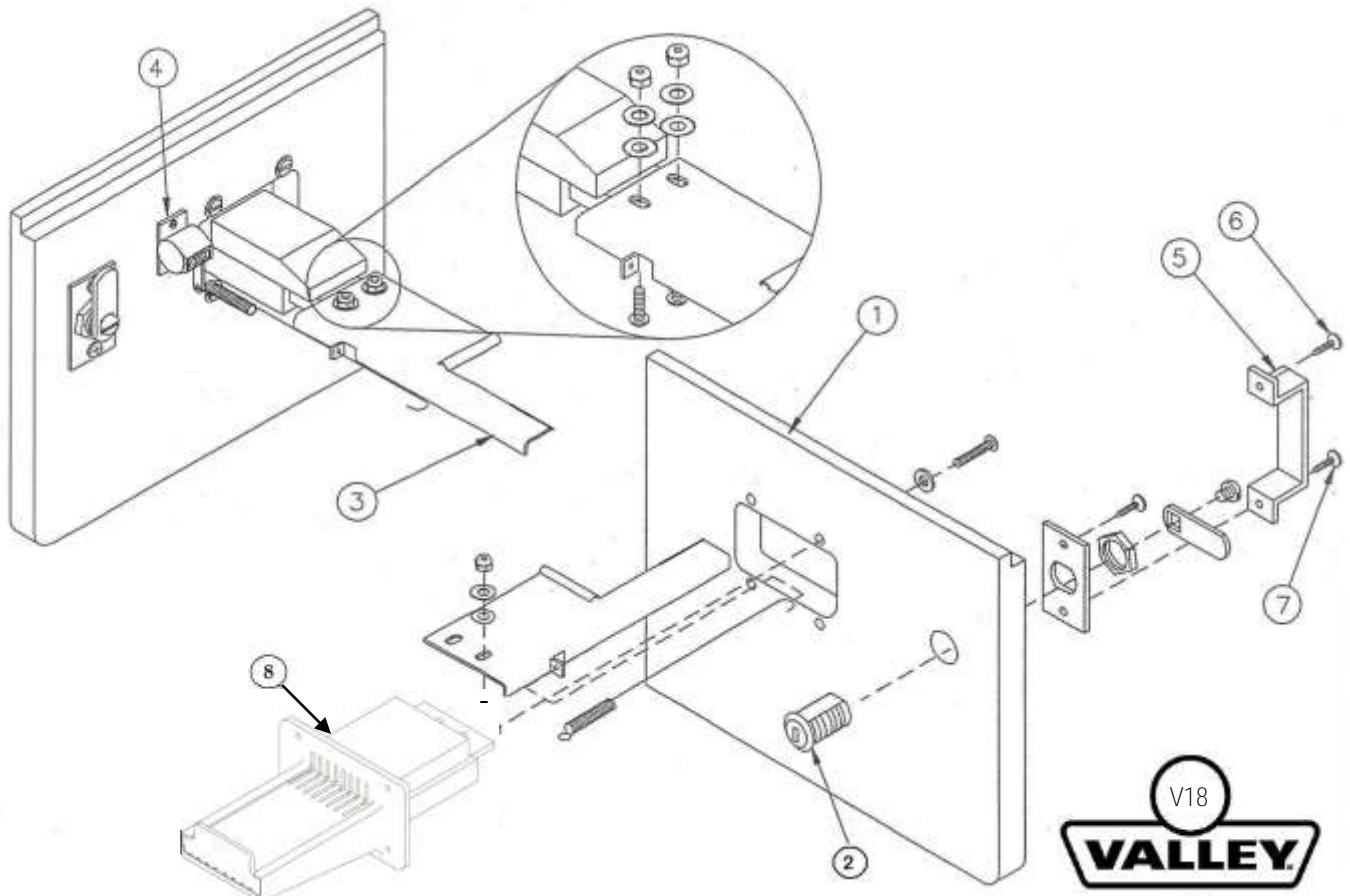
PUSH CHUTE DOOR ASSEMBLY MODEL #32, #39, #37 AND BEFORE

REF.	Part number	description	old part number
1	CPYECCDD10202	PUSH CHUTE DOOR - 9 $\frac{3}{4}$ " x 7"	
1	CPYECCDB00201	PUSH CHUTE DOOR - 8 $\frac{7}{8}$ " x 7"	CPYECCDB00202
	870011231	PUSH CHUTE DOOR BOLT 10-32 x 1"	20200070
	870055110	#10-32 NYLON LOCK WASHER	20400060
2	DISCONTINUED	Z-BRACKET - MODEL # 32 AND PRIOR	20600060
3	21200390	LOCK KEY DIF/LB & LC 1 $\frac{1}{8}$ " BARREL	21200030
COIN DOOR LOCKS ARE KEYED RANDOMLY. IF YOUR KEY IS LOST, REPLACE THE LOCK. YOU CANNOT ORDER A REPLACEMENT KEY			
	800000105	LOCK BACK PLATE	20600081
	20110010	BACK PLATE SCREW #8 X $\frac{1}{2}$ "	
4	DISCONTINUED	PUSH CHUTE END - 5" (MODEL #37 AND BEFORE)	
4	DISCONTINUED	PUSH CHUTE END—5" (DOOR-MOUNTED COUNTER)	20600045
4	DISCONTINUED	PUSH CHUTE END - 6 $\frac{1}{2}$ " (MODEL #39 AND AFTER)	
4	20600046	PUSH CHUTE END - 6 $\frac{1}{2}$ " (DOOR MOUNTED COUNTER)	20600044
	20200110	PUSH CHUTE END BOLT 8-32 x $\frac{5}{8}$ "	
	20300150	PUSH CHUTE END NUT 8-32	
	870055110	#10-32 NYLON LOCK WASHER	20400060
	20400100	#8 WASHER	
5	890000630	ESD V-8 COIN CHUTE (SET AT 5x \$0.25)	
5	890000620	ESD V-5 COIN CHUTE (SET AT 3x \$0.25)	
	890000125	ESD BLANK INSERT	
	890000145	ESD QUARTER INSERT	
ASK ABOUT THE AVAILABILITY OF OTHER PUSH CHUTE CONFIGURATIONS.			
	CPYOORTF	DOOR-MOUNT COUNTER RETROFIT KIT	



CURRENT PRODUCTION PUSH CHUTE DOOR ASSEMBLY USED FROM MODEL CP-B-DZ TO CURRENT

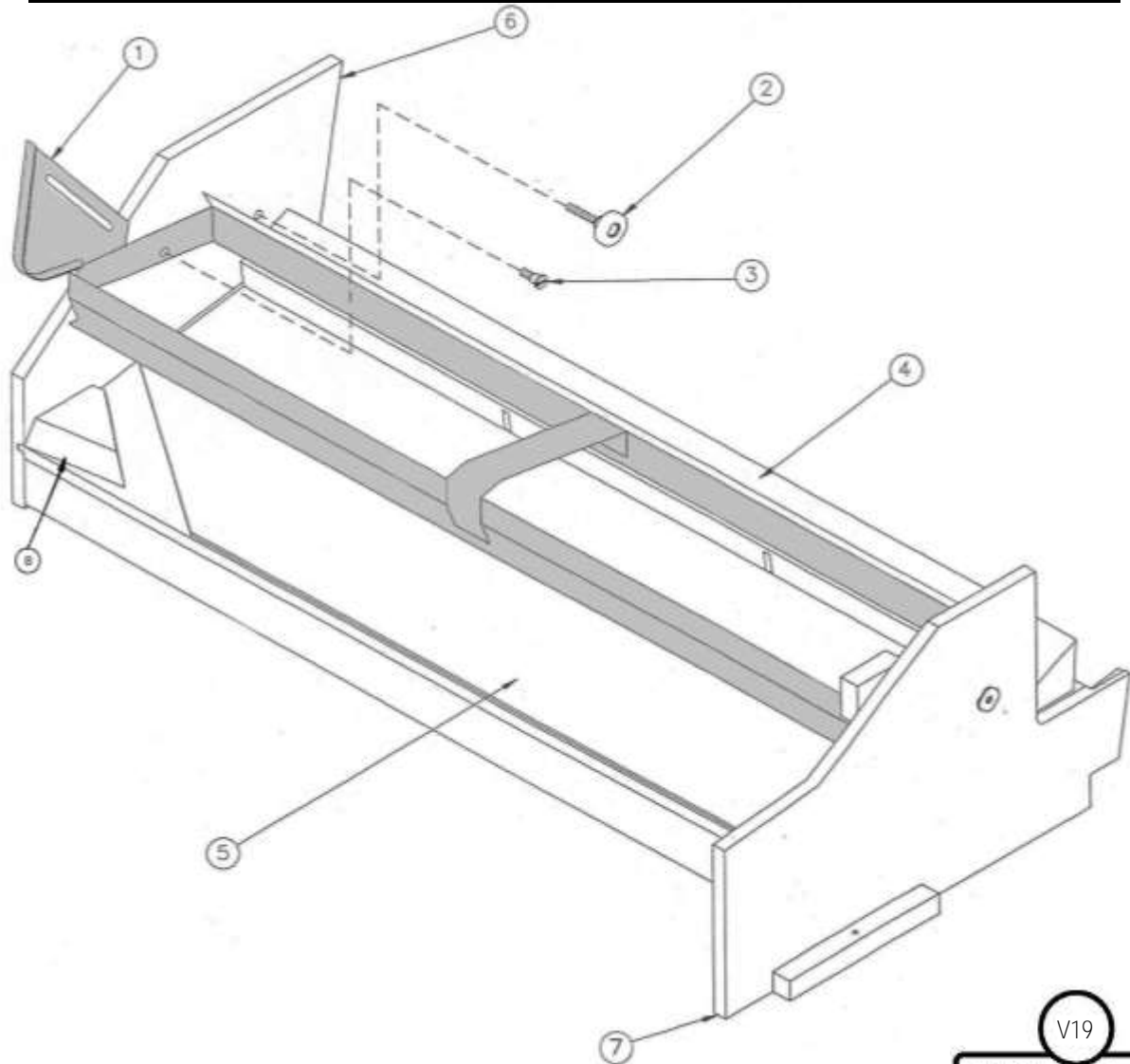
REF.	Part number	description	old part number
V18	CPYECCDA	COMPLETE PUSH CHUTE DOOR ASSEMBLY	
1	CPYECSE50202	PUSH CHUTE DOOR - 8 1/4" x 10 3/16"	
1	CPYECLHO50202	DOOR - 8 1/4" x 10 3/16" WITH LOCK HOLE ONLY	
1	870011231	PUSH CHUTE DOOR BOLT 10-32 x 1"	20200070
	870055110	#10-32 NYLON LOCK WASHER	20400060
2	21200390	LOCK KEY DIF/LB & LC 1 1/8" BARREL	21200030
COIN DOOR LOCKS ARE KEYED DIFFERENTLY. IF YOUR KEY IS LOST, REPLACE THE LOCK. YOU CANNOT ORDER A REPLACEMENT KEY			
	800000105	LOCK BACK PLATE	20600081
	20110010	BACK PLATE SCREW #8 X 1/2"	
3	20600046	PUSH CHUTE END - 6 1/2" (MODEL #39 AND AFTER)	20600044
	20200110	PUSH CHUTE END BOLT 8-32 x 5/8"	
	20300150	PUSH CHUTE END NUT 8-32	
	870055110	#10-32 NYLON LOCK WASHER	20400060
	20400100	#8 WASHER	
4	21705690	PUSH CHUTE COUNTER WITH ARM & SPRING	
	DISCONTINUED	COUNTER ARM	21700071
	21703940	COUNTER SPRING WITH HOOK	
	20100060	COUNTER MOUNTING SCREW #4 x 9/16"	
	CPYOORF	PUSH CHUTE COUNTER RETROFIT KIT	
COIN COUNTER IS MOUNTED ON THE COIN DOOR SINCE 1994— CPBSM SERIAL # S15594			
5	20605090	LOCK COVER	
6	20110010	LOCK COVER SCREW #8 x 1/2"	
7	20100090	LOCK COVER SCREW #8 x 3/4"	
8	890000630	ESD V-8 COIN CHUTE (SET AT 4x \$0.25)	
8	890000620	ESD V-5 COIN CHUTE (SET AT 3x \$0.25)	
8	890000125	ESD BLANK INSERT	
	890000145	ESD QUARTER INSERT	



PUSH CHUTE TRAP ASSEMBLY

REF.	Part number	description	old part number
1	20600021	PUSH CHUTE TRAP (ENTIRE SHADED PART)	
2	21700022	BALL STOP	
3	870000302	SHOULDER BOLT, 1/4-20 x 3/8 x 5/16	20100010
THESE PARTS ARE USED ONLY WITH THE OLD TRAP PIVOT SCREWS, NOT WITH THE SHOULDER BOLTS			
	20300090	T-NUT 1/4-20	
	20400110	5/16" STAR WASHER	
4	PCPYJMPTA20102	UPPER BALL WEDGE ASSEMBLY	CPYDYPTA00102
	21303960	UPPER BALL WEDGE LAMINATE	21304070
5	20700363	RUBBER MAT, TRAP SHELF	
6	CPYOOPTA30202	BALL TRAP, RIGHT SIDE	PCPYOOPTA30202
7	CPYOOPTA00201	BALL TRAP, LEFT SIDE	
8	860200075	BALL DEFLECTOR BLOCK	

NOT SHOWN	963930185L	93 CENTER BALL WEDGE (LEFT)	
NOT SHOWN	963930185R	93 CENTER BALL WEDGE (RIGHT)	



LOCKS AND KEYS

Part number	description	old part number
21200390	LOCK AND KEY/LB & LC (COIN CHUTE DOOR)	21200030
21200400	LOCK AND KEY/SB & SC (CASH BOX COVER)	
21200410	LOCK AND KEY/LB & LC C512	21200010
21200560	LOCK AND KEY/LB & LC #54	
21200070	KEY ONLY C512	
21200550	KEY ONLY #54	
DISCONTINUED	KEY ONLY #1155	21200120
DISCONTINUED	CAM LONG 1½"	21200090
DISCONTINUED	CAM SHORT 1¼"	21200100

HARDWARE

Part number	description	old part number
870000302	SHOULDER BOLT ¼-20 x 3/8 x 5/16"	20100010
20100020	RAIL MOLDING SCREW #6 x 5/8"	
20100060	COUNTER MOUNTING SCREW #4 x 9/16"	
20100090	LOCK COVER SCREW #8 x ¾"	
20100100	LEG PLATE SCREW #8 x 1¼"	
20100360	DOWN CORNER SCREW #8 x ¾"	
20100390	CLEAN OUT DOOR INSERT SCREW 8-32 x 1¼"	
20102290	LEG T-NUT W/BASE SCREW #6 x ¾"	
20110010	BACK PLATE/LOCK COVER SCREW #8 x ½"	
20200020	CUSHION RAIL BOLT ¼-20 x 4½"	
20200030	LEG BOLT 5/16-18 x 1½"	
20200050	MAGNET HOLDER BOLT ¼-20 x 2 ¼"	
20200070	PUSH CHUTE DOOR BOLT 10-32 x 1"	
20200110	PUSH CHUTE END BOLT 8-32 x 5/8"	
20200140	DOOR HEADER BOLT ¼-20 x 1½"	
DISCONTINUED	SHOULDER BOLT 9/16 -10 x 32	20200300
20200370	CORNER CASTING BOLT 3/8-16 x 5/8"	
20200450	DOOR RAIL BOLT ¼-20 x 1 ¼"	
20201091	POCKET LINER SCREW 8-32 x ¼"	
20201101	STAND OFF SCREW 8-32 x ¼"	
20300030	WING NUT #8 x 32	
20300090	T-NUT ¼-20	
20300110	LEG T-NUT 5/16-18	
20300150	PUSH CHUTE END NUT 8-32	
20300740	DOWN CORNER NUT ¼"	
20300820	LEG T-NUT W/BASE 5/16-18	
20400060	WASHER #10	
20400090	WASHER (MAGNET HOLDER/DOOR HEADER)	
20400100	PUSH CHUTE END WASHER	
20400110	STAR WASHER 5/16	
20400120	WASHER (DOOR & DOOR RAIL)	
DISCONTINUED	CHROME HOLE PLUG ½"	20400140
20400160	LARGE POCKET LINER NAIL #6 x ¾"	
20400170	TRIM MOLDING NAIL #14 x 7/8"	
20400180	TRIM MOLDING SCREW NAIL #2 x ¾"	
20400410	FENDER WASHER 25/64 x 1½"	
20400780	POCKET LINER WASHER	

BALLS AND CLOTH

Part number	description	old part number
20900016	ARAMITH BALL SET W/MAGNETIC CUE BALL	20900010
DISCONTINUED	ARAMITH BALL SET W/REGULAR CUE BALL	20900020
20900046	VALLEY COUGAR MAGNETIC CUE BALL	20900045, 50, 55

VALLEY TEFLON® ULTRA CLOTH BY THE YARD		
980203048	48" GREEN BACKED (7' TABLES)	20 YARD MINIMUM
980203054	54" GREEN BACKED (8' TABLES)	20 YARD MINIMUM
980203006	6" GREEN UNBACKED - FOR RAILS	

980203754	54" BURGUNDY BACKED (8' TABLES)	20 YARD MINIMUM
980203706	6" BURGUNDY UNBACKED - FOR RAILS	
21700330	ROLL OF 100 VALLEY SPOTS	



PARTS FOR VALLEY GREAT 8® AND ZD-X TABLES

part number	description	old part number
03000135	KEY # 7515	
030205025	VALLEY METAL MOTOR KIT	
730200300	WIRE HARNESS, ICT DBA W/O DROP CHUTE	
730200330	WIRE HARNESS, ICT GREAT 8	
730200335	WIRE HARNESS, PCB TO DISPLAY HARNESS	
DISCONTINUED	ICT v7.5 PC BOARD SET	730200340
730200375	WIRE HARNESS, G8 ANTI-STATIC KIT	
800206013	MOTOR ARM	
800206040	BATTERY CHARGER STRAP	
850200215	DECAL, MULTI STICKER	
850200245	DECAL, ICT OPERATING INSTRUCTIONS (ENGLISH)	
850200247	DECAL, ICT OPERATING INSTRUCTIONS (SPANISH)	
860200902	LCD LENS W/GRAPHICS	
860300415	PLASTIC CASH BOX	
880200131	VALLEY METAL MOTOR W/WIRE HARNESS	880200121
DISCONTINUED	ICT INTERFACE PCB (EURO)	880200310
880200360	ZD-X VER 11 CONTROLLER PCB	
880200515	12V/12AMP BATTERY	880200510
880200520	12V/18AMP BATTERY	
DISCONTINUED	12V BATTERY CHARGER	880200550
880200557	ZD-X 12V/3A BATTERY CHARGER	
DISCONTINUED	CHARGER HARNESS FOR 880200555, 6' W/ALLIGATOR CLIP	
880200605	LCD DISPLAY	
880300260	PUSH BUTTON - START	
880300265	PUSH BUTTON - START (END/SMALLER)	
880300270	PUSH BUTTON - TIME/RACK	
880303212	ICT DBA/DROP COIN DOOR (CURRENT MODEL—COMPLETE - RAISED BUTTON BEZELS)	
DISCONTINUED	VALLEY GREAT 8 BALL RELEASE CABLE	890200612
890300700	ELECTRONIC COIN COUNTER FOR DBA HARNESS	
980000550	LOCK # 7515	
990205030	VALLEY GREAT 8 MOTOR ARM CABLE ASSEMBLY	

THE VALLEY ZD-X CURRENTLY USES AN MEI BILL ACCEPTOR,
SPECIFIC PARTS FOR THE ICT AND JCM DBA TABLES ARE NO LONGER AVAILABLE.

OUR LIMITED SUPPLY OF ICT DBA'S ARE SOLD AS-IS.

THE ZDX CONVERSION KIT BRINGS AN ICT TABLE TO CURRENT STANDARDS

THE JCM-TO-ZDX UPGRADE KIT BRINGS A JCM TABLE TO CURRENT STANDARDS.

030205010	JCM-TO-MEI CONVERSION KIT	
030200100	ZDX CONVERSION KIT	



CURRENT COLOR COMPARISON

COLORS ARE FOR COMPARISON PURPOSES. PRINTER, VIDEO CARD AND MONITOR SETTINGS MAY AFFECT THE DISPLAY QUALITY.

LAMINATE COLORS PRIOR TO 1997 ARE NO LONGER AVAILABLE



BILTMORE CHERRY



JEWEL MAHOGANY



CHARCOAL
CHROMATIC



TAJ TEAK

Valley Cougar
2007-present

Valley ZD-8 2002-2007
Valley Great 8

Valley Black Cat

Valley ZD-7 1997-2001

THESE COLORS REPRESENT THE PAST 13 YEARS OF VALLEY TABLE PRODUCTION.

ALL PRIOR COLORS ARE DISCONTINUED AND NO LONGER AVAILABLE FROM VALLEY-DYNAMO. WE HAVE MOVED AND CLEANED UP SEVERAL TIMES SINCE **DISCONTINUING OLDER COLORS, SO THERE IS NOTHING "IN THE BACK" OR "ON THE TOP SHELF." WE'VE SOLD IT ALL. DISTRIBUTORS MAY STILL HAVE LIMITED REMAINING STOCK OF OLDER COLORS, BUT WE DO NOT AND DO NOT EXPECT TO.**

