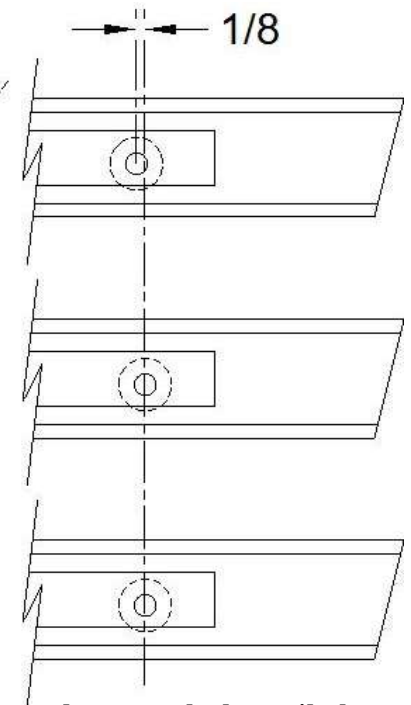
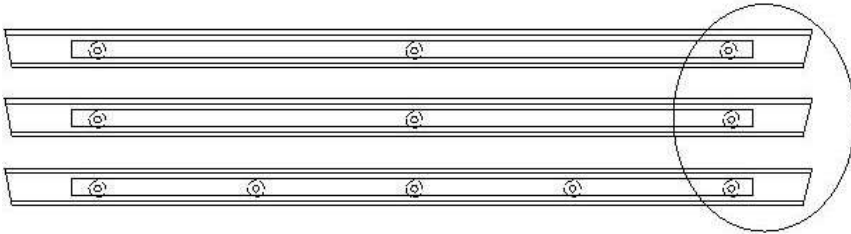
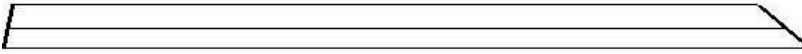


# There are no more three bolt Valley cushions

55 years of Valley Cushion history from top to bottom

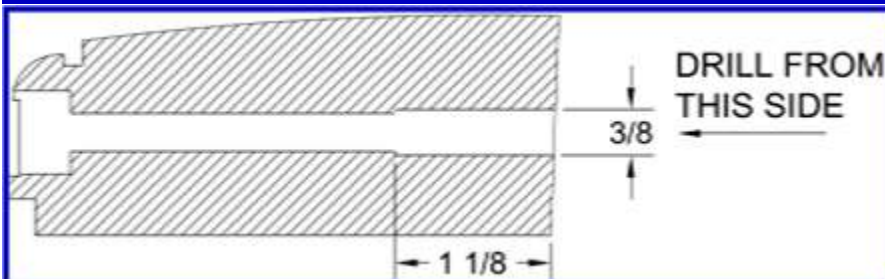
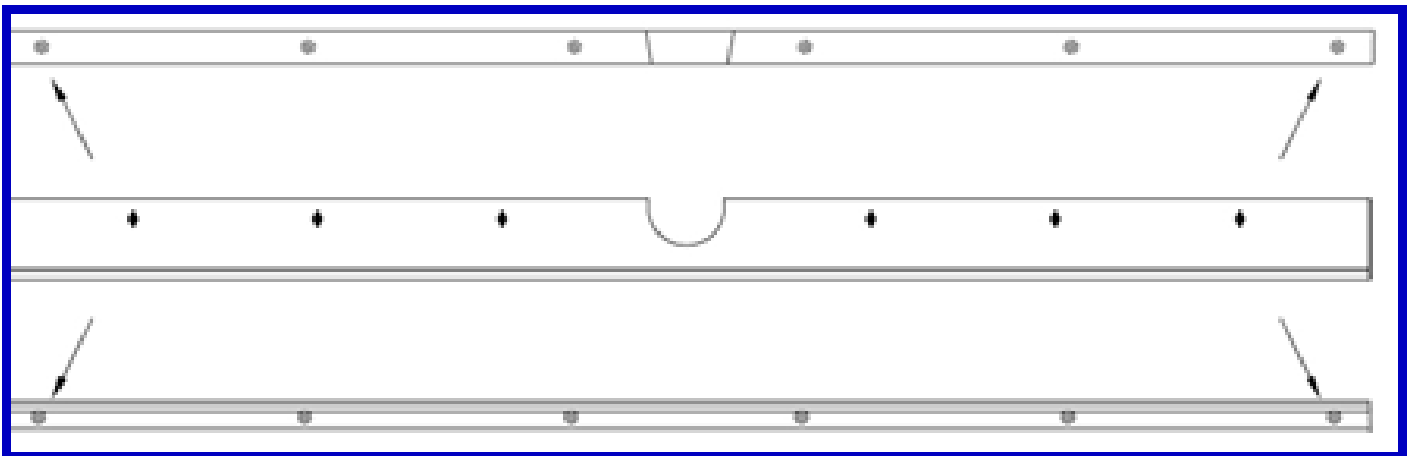
- Valley 3-bolt Side Rail from early 1970s – 1999
- Valley 3-bolt Side Rail from 1999 - 2009
- Valley 5-bolt Side Rail from 2009 - present



**FIRST BIG THING:** when we went from 3 bolts to 5, we simply added two attachment points to each rail. If you used the older 3-bolt rails – **THE HOLES THAT MATTER TO YOU DID NOT CHANGE**

**SECOND BIG THING:** the change in 1999 moved 4 of the 18 bolt holes used to attach the rails by exactly  $\frac{1}{8}$ ". THAT is the difference between "old Valley" and "new Valley" –  $\frac{1}{8}$ ". Literally so close it wasn't physically possible to put in two inserts side-by-side. **FOURTEEN OF THE EIGHTEEN HOLES DID NOT CHANGE.**

**HOW DO I USE THE CURRENT RAILS ON A VALLEY TABLE MORE THAN 25 YEARS OLD?** On the four side rail bolt holes noted below...



Drill using a  $\frac{3}{8}$ " diameter drill bit. From the cushion side, drill no deeper than  $1 \frac{1}{8}$ ". This allows just enough movement of the rail bolt so it can be angled to attach securely  
End rails *need no modifications*

**There are no plans to EVER AGAIN stock 3-bolt rails. Not for four holes with a  $\frac{1}{8}$ " discrepancy.**