

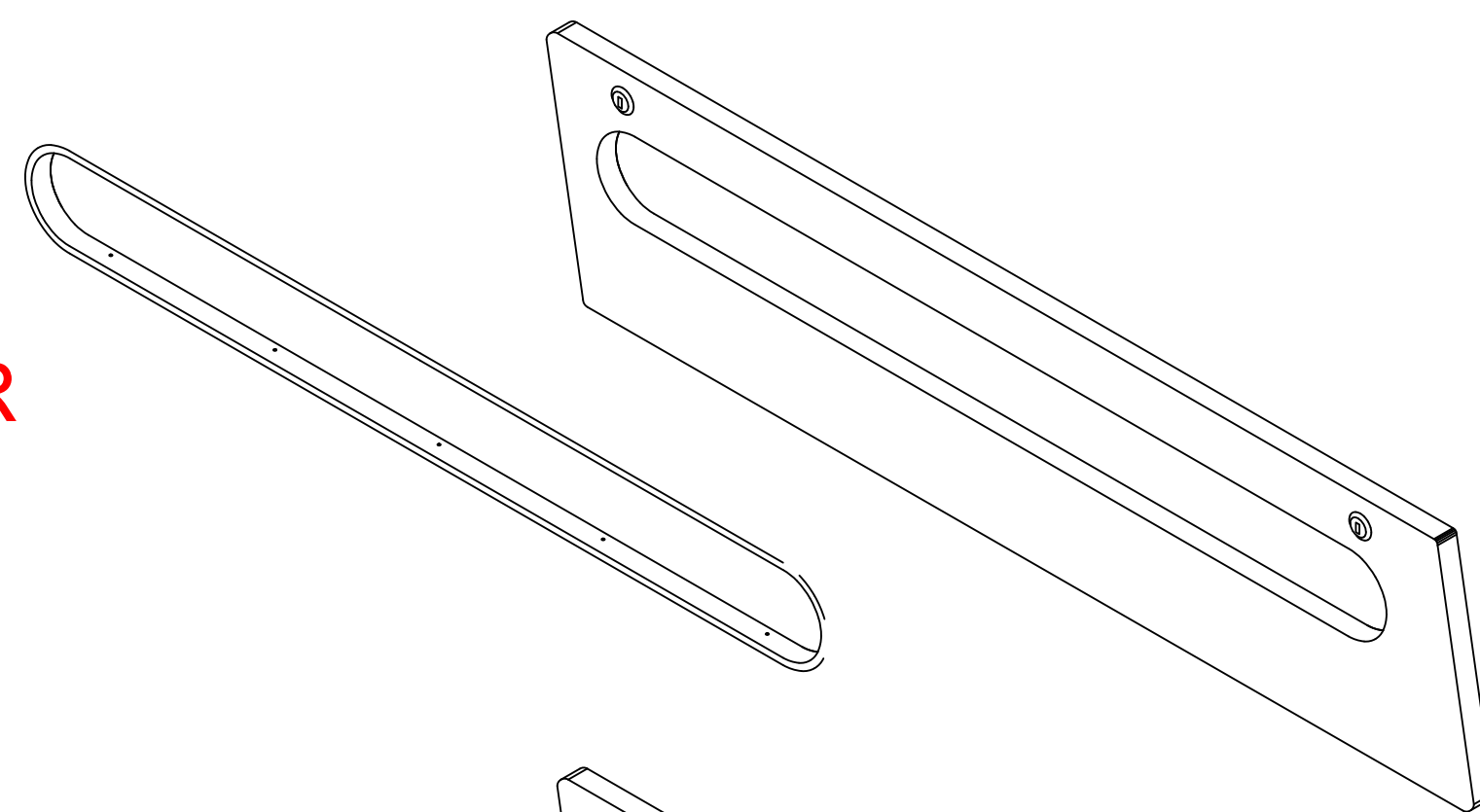
## VALLEY - ALUMINUM/NAIL IN MOLDING TO T-MOLDING UPDATE

Due to vendor quality issues, the aluminum trim used for years is **no longer available**. We now use a t-molding

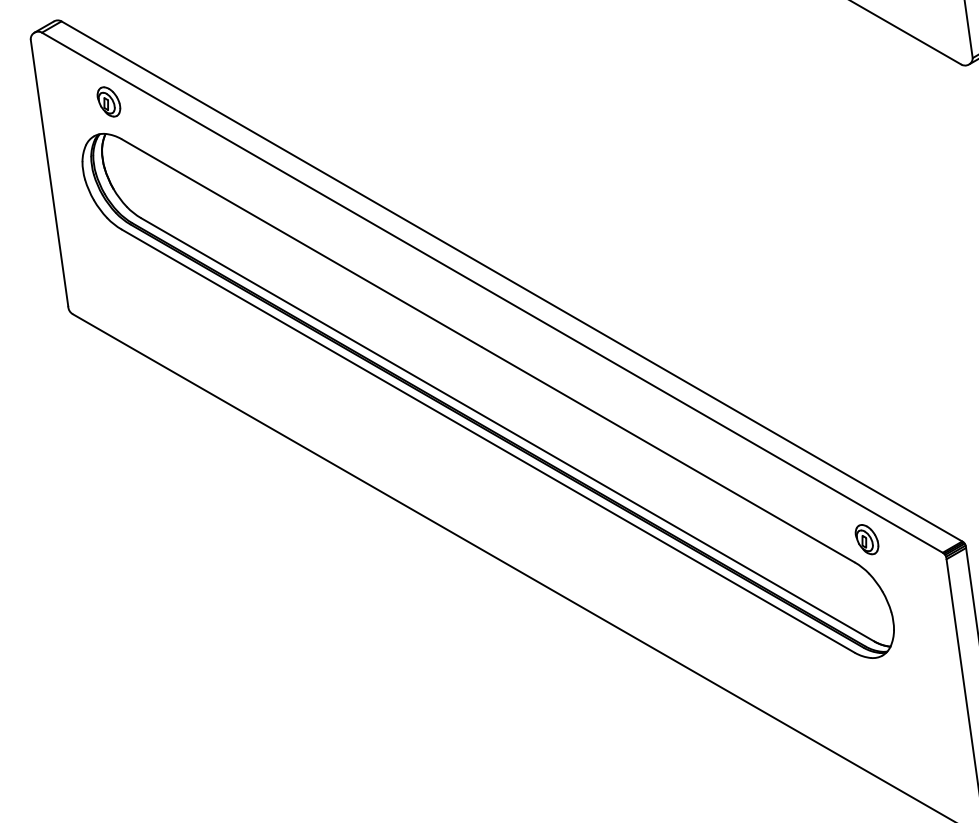
We show the procedure for a Ball View Door, but the same steps apply to the other openings on a Valley table

-----MUST WEAR SAFETY GLASSES-----

1. CAREFULLY REMOVE THE EXISTING TRIM FROM THE BALL VIEW DOOR
2. REMOVE THE (2) LOCKS FROM THE DOOR
3. PLACE DOOR ON A NON-SLIP SURFACE OR SECURELY CLAMP TO A SOLID SURFACE

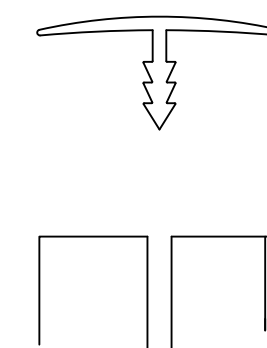


6. INSERT THE REPLACEMENT MOLDING INTO SLOT BY TAPPING INTO PLACE
7. TRIM TO PROPER LENGTH
8. RE-INSTALL LOCKS, NOTING KEY ALIGNMENT



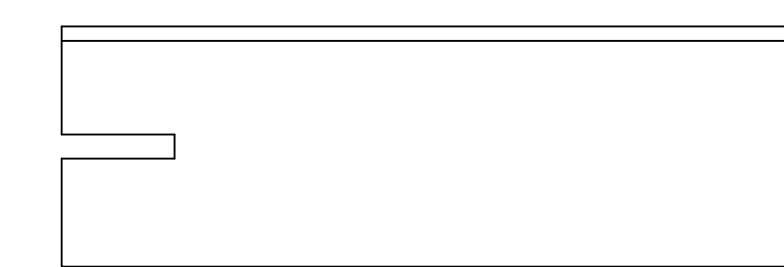
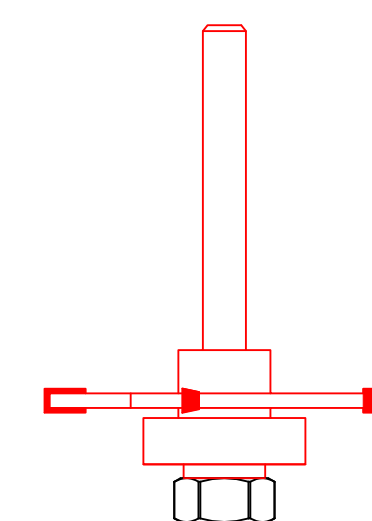
-----MUST WEAR SAFETY GLASSES-----

4. MAKE CERTAIN THE SLOT CUTTER IS SET TO BE CENTERED ON THE THICKNESS OF THE DOOR.



-----MUST WEAR SAFETY GLASSES-----

5. CAREFULLY CUT THE SLOT INTO THE DOOR



USE A 3/32 SLOT CUTTER